

Light Barriers / Diffuse Mode Sensors

Flexibility Redefined

The overarching concept of optoelectronic standard light barriers is to integrate multiple function principles end-to-end into identical standard designs. This means that regardless of the installation situation, the right sensor is always available as a thru-beam sensor, retroreflective sensor, diffuse mode sensor, or switching sensor with measurement core.

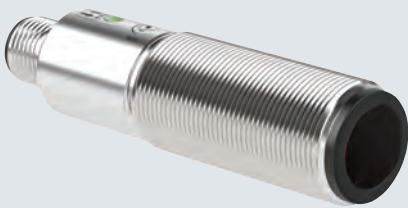


Typical Applications

- Small part detection
- Component inspection for printed circuit boards
- Front edge detection on conveyor belts
- Detection of transparent objects
- Object positioning

Your Benefits at a Glance

- End-to-end integration of photoelectric function principles into identical standard designs for outstanding flexibility
- Choice of various cubic and cylindrical standard designs
- Innovative DuraBeam laser technology for extra-long service life and increased operating temperature range, even in especially small designs
- Communication down to sensor level with IO-Link



Technical Features

- A complete portfolio of function principles is available, from thru-beam sensors, retroreflective sensors, and diffuse mode sensors to special function principles such as switching sensors with measurement cores (available in the R10x series, among others)
- Various light sources (red light, infrared light, and laser) for optimal adaptation to the application
- Comprehensive range of accessories for mounting brackets, reflectors, and alignment aids
- Degree of protection of up to IP69K



Multi Pixel Technology (MPT) for Precise, Near-Range Distance Measurement

Distance sensors are also available in small to medium-sized standard designs. The compact size of the measurement core enables the most precise, reliable, and adaptable distance measurement for near-range applications.

More information is available at:
www.pepperl-fuchs.com/fa-mpt



Light Barriers / Diffuse Mode Sensors

Contents



**R2 Series –
Thru-Beam Sensors**
Page 138



**R2 Series –
Retroreflective
Sensors**
Page 139



**R2 Series –
Diffuse Mode
Sensors**
Page 140



**R2F Series –
Thru-Beam Sensors**
Page 141



**R2F Series –
Retroreflective
Sensors**
Page 142



**R3F Series –
Retroreflective
Sensors**
Page 148



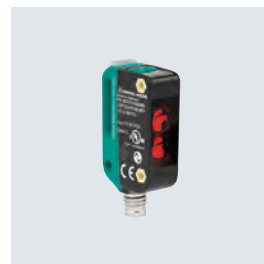
**R3F Series –
Diffuse Mode
Sensors**
Page 149



**R100 Series –
Thru-Beam Sensors**
Page 150



**R100 Series –
Retroreflective
Sensors**
Page 151



**R100 Series –
Diffuse Mode
Sensors**
Page 152



**R102 Series –
Diffuse Mode
Sensors**
Page 160



**R103 Series –
Thru-Beam Sensors**
Page 161



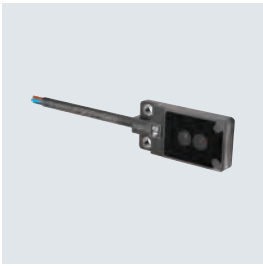
**R103 Series –
Retroreflective
Sensors**
Page 162



**R103 Series –
Diffuse Mode
Sensors**
Page 164



**R200 Series –
Thru-Beam Sensors**
Page 166



**R2F Series –
Diffuse Mode
Sensors**
Page 143



**R3 Series –
Thru-Beam Sensors**
Page 144



**R3 Series –
Retroreflective
Sensors**
Page 145



**R3 Series –
Diffuse Mode
Sensors**
Page 146



**R3F Series –
Thru-Beam Sensors**
Page 147



**R101 Series –
Thru-Beam Sensors**
Page 154



**R101 Series –
Retroreflective
Sensors**
Page 155



**R101 Series –
Diffuse Mode
Sensors**
Page 156



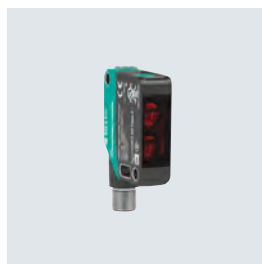
**R102 Series –
Thru-Beam Sensors**
Page 158



**R102 Series –
Retroreflective
Sensors**
Page 159



**R200 Series –
Retroreflective
Sensors**
Page 167



**R200 Series –
Diffuse Mode
Sensors**
Page 168



**R201 Series –
Thru-Beam Sensors**
Page 170



**R201 Series –
Retroreflective
Sensors**
Page 171



**R201 Series –
Diffuse Mode
Sensors**
Page 172

Light Barriers / Diffuse mode sensors

Contents



**RL28 Series –
Thru-Beam Sensors**
Page 174



**RL28 Series –
Retroreflective
Sensors**
Page 176



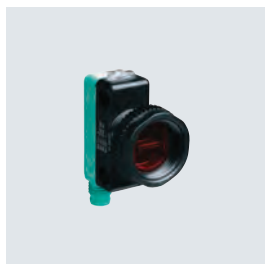
**RL28 Series –
Diffuse Mode
Sensors**
Page 178



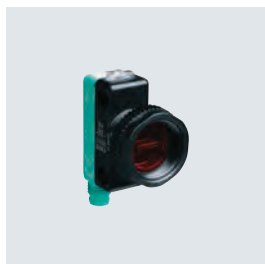
RL29 Series
Page 180



**RL31 Series –
Thru-Beam Sensors**
Page 181



**ML17 Series –
Retroreflective
Sensors**
Page 187



**ML17 Series –
Diffuse Mode
Sensors**
Page 188



ML29 Series
Page 189



**ML100 Series –
Thru-Beam Sensors**
Page 190



**ML100 Series –
Retroreflective
Sensors**
Page 192



**GLV18 Series –
Thru-Beam Sensors**
Page 200



**GLV18 Series –
Retroreflective
Sensors**
Page 202



**GLV18 Series –
Diffuse Mode
Sensors**
Page 204



12GM Series
Page 206



18GM Series
Page 207



**RL31 Series –
Retroreflective
Sensors**
Page 182



**RL31 Series –
Diffuse Mode
Sensors**
Page 183



**MLV41 Series –
Retroreflective
Sensors**
Page 184



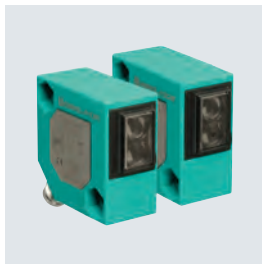
**MLV41 Series –
Diffuse Mode
Sensors**
Page 185



R300 Series
Page 186



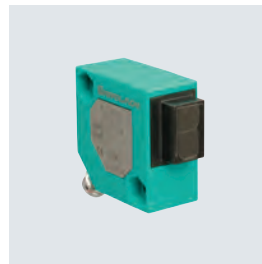
**ML100 Series –
Diffuse Mode
Sensors**
Page 194



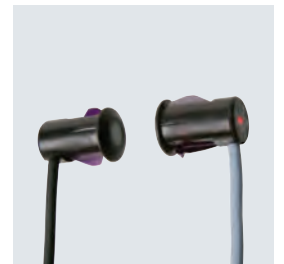
**ML300 Series –
Thru-Beam Sensors**
Page 196



**ML300 Series –
Retroreflective
Sensors**
Page 197



**ML300 Series –
Diffuse Mode
Sensors**
Page 198



BB10 Series
Page 199



VL18 Series
Page 208

R2 Series Thru-Beam Sensors

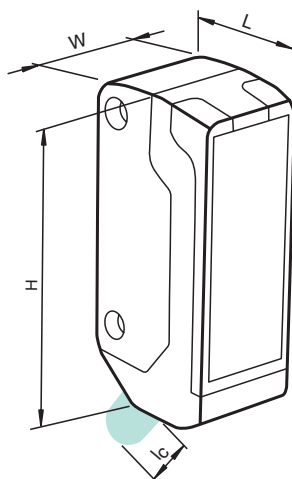


Standard Technical Data

Function principle	Thru-beam sensor
Voltage type	DC
Housing length L	11.2 mm
Housing width W	7.5 mm
Housing height H	24 mm
UL	■

For detailed data and description, see the datasheet. Further products can be found online at www.pepperl-fuchs.com.

Model number	Detection range [mm]	Light type	Output type	UB (min)	UB (max)	Connection type
OBE1000-R2-SE0-L	1000	Red laser diode	NPN	12	24	Fixed cable
OBE1000-R2-SE2-0,2M-V31-L	1000	Red laser diode	PNP	12	24	Fixed cable with M8 plug
OBE1000-R2-SE2-L	1000	Red laser diode	PNP	12	24	Fixed cable
OBE2000-R2-SE0	2000	Red LED	NPN	10	30	Fixed cable
OBE2000-R2-SE0-0,2M-V31	2000	Red LED	NPN	10	30	Fixed cable with M8 plug
OBE2000-R2-SE2	2000	Red LED	PNP	10	30	Fixed cable
OBE2000-R2-SE2-0,2M-V31	2000	Red LED	PNP	10	30	Fixed cable with M8 plug
OBE2000-R2-SE3	2000	Red LED	PNP	10	30	Fixed cable
OBE10M-R2-SE0-L	10000	Red laser diode	NPN	12	24	Fixed cable
OBE10M-R2-SE2-0,2M-V31-L	10000	Red laser diode	PNP	12	24	Fixed cable with M8 plug
OBE10M-R2-SE2-L	10000	Red laser diode	PNP	12	24	Fixed cable



Accessories

MH-R2-01	Mounting aid for sensors from the R2 series, mounting bracket
MH-R2-02	Mounting aid for sensors from the R2 series, mounting bracket
MH-R2-03	Mounting aid for sensors from the R2 series, mounting bracket
MH-R2-04	Mounting aid for sensors from the R2 series, mounting bracket
V31-WM-2M-PUR	Single-ended female cordset, M8, 4-pin, PUR cable

R2 Series Retroreflective Sensors

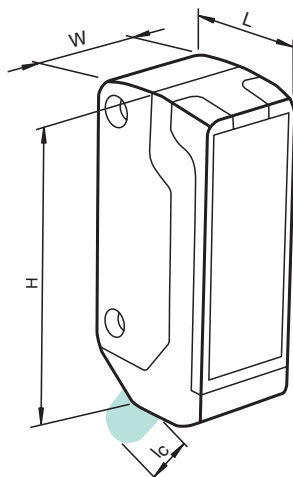


Standard Technical Data

Function principle	Retroreflective sensor with polarization filter
Voltage type	DC
Housing length L	11.2 mm
Housing width W	7.5 mm
Housing height H	24 mm
UL	■

For detailed data and description, see the datasheet. Further products can be found online at www.pepperl-fuchs.com.

Model number	Detection range [mm]	Light type	Output type	UB (min)	UB (max)	Connection type
OBR1000-R2-E0	1000	Red LED	NPN	10	30	Fixed cable
OBR1000-R2-E0-0,4M-V3	1000	Red LED	NPN	10	30	Other
OBR1000-R2-E2	1000	Red LED	PNP	10	30	Fixed cable
OBR1000-R2-E2-0,2M-V3	1000	Red LED	PNP	10	30	Fixed cable with M8 plug
OBR1000-R2-E2-0,2M-V31	1000	Red LED	PNP	10	30	Fixed cable with M8 plug
OBR2000-R2-E0-L	2000	Red laser diode	NPN	12	24	Fixed cable
OBR2000-R2-E2-0,2M-V31-L	2000	Red laser diode	PNP	12	24	Fixed cable with M8 plug
OBR2000-R2-E2-L	2000	Red laser diode	PNP	12	24	Fixed cable



Accessories

MH-R2-02	Mounting aid for sensors from the R2 series, mounting bracket
MH-R2-03	Mounting aid for sensors from the R2 series, mounting bracket
MH-R2-04	Mounting aid for sensors from the R2 series, mounting bracket
REF-H40	Rectangular reflector, 47.5 mm x 23.5 mm, mounting holes, retaining tab
REF-MH20	Rectangular reflector with microstructure, 32 mm x 20 mm, mounting holes
REF-MH23	Rectangular reflector with microstructure, 23 mm x 13.8 mm, diagonal mounting hole
V31-GM-2M-PUR	Single-ended female cordset, M8, 4-pin, PUR cable
V3-WM-2M-PUR	Single-ended female cordset, M8, 3-pin, PUR cable

R2 Series

Diffuse Mode Sensors



Standard Technical Data

Voltage type	DC
Housing length L	11.2 mm
Housing width W	7.5 mm
Housing height H	24 mm
UL	■

For detailed data and description, see the datasheet. Further products can be found online at www.pepperl-fuchs.com.

Model number	Function principle	Detection range [mm]	Light type	Output type	UB (min)	UB (max)	Connection type
OBT15-R2-E0	With background suppression	15	Red LED	NPN	10	30	Fixed cable
OBT15-R2-E0-1T	With background evaluation	15	Red LED	NPN	10	30	Fixed cable
OBT15-R2-E0-L	With background suppression	15	Red laser diode	NPN	12	24	Fixed cable
OBT15-R2-E2	With background suppression	15	Red LED	PNP	10	30	Fixed cable
OBT15-R2-E2-0,2M-V3	With background suppression	15	Red LED	PNP	10	30	Fixed cable with M8 plug
OBT15-R2-E2-0,2M-V31	With background suppression	15	Red LED	PNP	10	30	Fixed cable with M8 plug
OBT15-R2-E2-0,2M-V31-L	With background suppression	15	Red laser diode	PNP	12	24	Fixed cable with M8 plug
OBT15-R2-E2-1T	With background evaluation	15	Red LED	PNP	10	30	Fixed cable
OBT15-R2-E2-L	With background suppression	15	Red laser diode	PNP	12	24	Fixed cable
OBT20-R2-E0	With background suppression	20	Red LED	NPN	10	30	Fixed cable
OBT20-R2-E2-0,2M-V31	With background suppression	20	Red LED	PNP	10	30	Fixed cable with M8 plug
OBT30-R2-E0	With background suppression	30	Red LED	NPN	10	30	Fixed cable
OBT30-R2-E0-0,4M-V3	With background suppression	30	Red LED	NPN	10	30	Other
OBT30-R2-E0-1T	With background evaluation	30	Red LED	NPN	10	30	Fixed cable
OBT30-R2-E0-L	With background suppression	30	Red laser diode	NPN	12	24	Fixed cable
OBT30-R2-E2	With background suppression	30	Red LED	PNP	10	30	Fixed cable
OBT30-R2-E2-0,2M-V3	With background suppression	30	Red LED	PNP	10	30	Fixed cable with M8 plug
OBT30-R2-E2-0,2M-V31	With background suppression	30	Red LED	PNP	10	30	Fixed cable with M8 plug
OBT30-R2-E2-0,2M-V31-L	With background suppression	30	Red laser diode	PNP	12	24	Fixed cable with M8 plug
OBT30-R2-E2-1T	With background evaluation	30	Red LED	PNP	10	30	Fixed cable
OBT30-R2-E2-L	With background suppression	30	Red laser diode	PNP	12	24	Fixed cable
OBT40-R2-E0	With background suppression	40	Red LED	NPN	10	30	Fixed cable
OBT40-R2-E2-0,2M-V31	With background suppression	40	Red LED	PNP	10	30	Fixed cable with M8 plug
OBT50-R2-E0	With background suppression	50	Red LED	NPN	10	30	Fixed cable
OBT50-R2-E0-1T	With background evaluation	50	Red LED	NPN	10	30	Fixed cable
OBT50-R2-E0-L	With background suppression	50	Red laser diode	NPN	12	24	Fixed cable
OBT50-R2-E2	With background suppression	50	Red LED	PNP	10	30	Fixed cable
OBT50-R2-E2-0,2M-V3	With background suppression	50	Red LED	PNP	10	30	Fixed cable with M8 plug
OBT50-R2-E2-0,2M-V31	With background suppression	50	Red LED	PNP	10	30	Fixed cable with M8 plug
OBT50-R2-E2-0,2M-V31-L	With background suppression	50	Red laser diode	PNP	12	24	Fixed cable with M8 plug
OBT50-R2-E2-1T	With background evaluation	50	Red LED	PNP	10	30	Fixed cable
OBT50-R2-E2-L	With background suppression	50	Red laser diode	PNP	12	24	Fixed cable
OBT50-R2-E3-0,2M-V31	With background suppression	50	Red LED	PNP	10	30	Fixed cable with M8 plug
OBT80-R2-E0	With background suppression	80	Red LED	NPN	10	30	Fixed cable
OBT80-R2-E0-L	With background suppression	80	Red laser diode	NPN	12	24	Fixed cable
OBT80-R2-E2	With background suppression	80	Red LED	PNP	10	30	Fixed cable
OBT80-R2-E2-0,2M-V3	With background suppression	80	Red LED	PNP	10	30	Fixed cable with M8 plug
OBT80-R2-E2-0,2M-V31	With background suppression	80	Red LED	PNP	10	30	Fixed cable with M8 plug
OBT80-R2-E2-0,2M-V31-L	With background suppression	80	Red laser diode	PNP	12	24	Fixed cable with M8 plug
OBT80-R2-E2-L	With background suppression	80	Red laser diode	PNP	12	24	Fixed cable

R2F Series Thru-Beam Sensors



Standard Technical Data

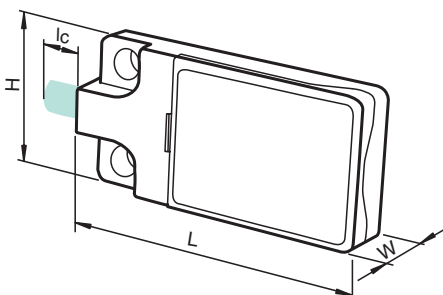
Function principle	Thru-beam sensor
Voltage type	DC
Housing length L	4.1 mm
Housing width W	12 mm
Housing height H	25.5 mm
UL	■

For detailed data and description, see the datasheet. Further products can be found online at www.pepperl-fuchs.com.

Model number	Detection range [mm]	Light type	Output type	UB (min)	UB (max)	Connection type
OBE500-R2F-SE0	500	Red LED	NPN	10	30	Fixed cable
OBE500-R2F-SE0-L	500	Red laser diode	NPN	12	24	Fixed cable
OBE500-R2F-SE2	500	Red LED	PNP	10	30	Fixed cable
OBE500-R2F-SE2-0,2M-V31	500	Red LED	PNP	10	30	Fixed cable with M8 plug
OBE500-R2F-SE2-0,2M-V31-L	500	Red laser diode	PNP	12	24	Fixed cable with M8 plug
OBE500-R2F-SE2-L	500	Red laser diode	PNP	12	24	Fixed cable
OBE1500-R2F-SE0-L	1500	Red laser diode	NPN	12	24	Fixed cable
OBE1500-R2F-SE2-0,2M-V31-L	1500	Red laser diode	PNP	12	24	Fixed cable with M8 plug
OBE1500-R2F-SE2-L	1500	Red laser diode	PNP	12	24	Fixed cable

Accessories

V31-GM-2M-PUR	Single-ended female cordset, M8, 4-pin, PUR cable
V31-WM-2M-PUR	Single-ended female cordset, M8, 4-pin, PUR cable



R2F Series Retroreflective Sensors

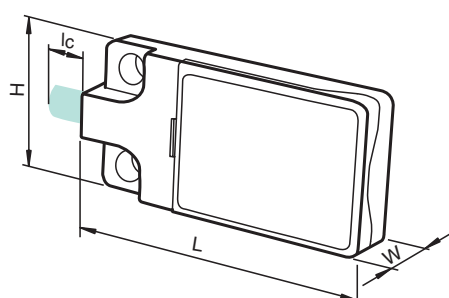


Standard Technical Data

Function principle	Retroreflective sensor with polarization filter
Detection range	1500 mm
Light type	Red laser diode
Voltage type	DC
Operating voltage (min)	12 V
Operating voltage (max)	24 V
Housing length L	4.1 mm
Housing width W	12 mm
Housing height H	25.5 mm
UL	■

For detailed data and description, see the datasheet. Further products can be found online at www.pepperl-fuchs.com.

Model number	Output type	Connection type
OBR1500-R2F-E0-L	NPN	Fixed cable
OBR1500-R2F-E2-0,2M-V31-L	PNP	Fixed cable with M8 plug
OBR1500-R2F-E2-L	PNP	Fixed cable



Accessories

REF-H40	Rectangular reflector, 47.5 mm x 23.5 mm, mounting holes, retaining tab
REF-MH20	Rectangular reflector with microstructure, 32 mm x 20 mm, mounting holes
REF-MH23	Rectangular reflector with microstructure, 23 mm x 13.8 mm, diagonal mounting hole
V31-GM-2M-PUR	Single-ended female cordset, M8, 4-pin, PUR cable
V31-WM-2M-PUR	Single-ended female cordset, M8, 4-pin, PUR cable

R2F Series Diffuse Mode Sensors



Standard Technical Data

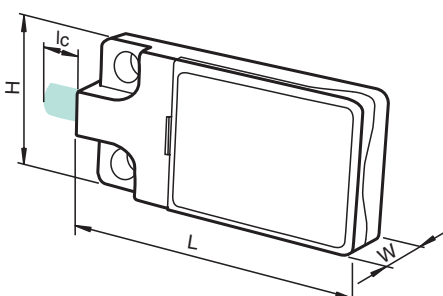
Function principle	Triangulation sensor with background suppression
Voltage type	DC
Housing length L	4.1 mm
Housing width W	12 mm
Housing height H	25.5 mm
UL	■

For detailed data and description, see the datasheet. Further products can be found online at www.pepperl-fuchs.com.

Model number	Detection range [mm]	Light type	Output type	UB (min)	UB (max)	Connection type
OBT15-R2F-E0	15	Red LED	NPN	10	30	Fixed cable
OBT15-R2F-E0-L	15	Red laser diode	NPN	12	24	Fixed cable
OBT15-R2F-E2	15	Red LED	PNP	10	30	Fixed cable
OBT15-R2F-E2-0,2M-V31	15	Red LED	PNP	10	30	Fixed cable with M8 plug
OBT15-R2F-E2-0,2M-V31-L	15	Red laser diode	PNP	12	24	Fixed cable with M8 plug
OBT15-R2F-E2-L	15	Red laser diode	PNP	12	24	Fixed cable
OBT30-R2F-E0	30	Red LED	NPN	10	30	Fixed cable
OBT30-R2F-E0-L	30	Red laser diode	NPN	12	24	Fixed cable
OBT30-R2F-E2	30	Red LED	PNP	10	30	Fixed cable
OBT30-R2F-E2-0,2M-V31	30	Red LED	PNP	10	30	Fixed cable with M8 plug
OBT30-R2F-E2-0,2M-V31-L	30	Red laser diode	PNP	12	24	Fixed cable with M8 plug
OBT30-R2F-E2-L	30	Red laser diode	PNP	12	24	Fixed cable

Accessories

V31-GM-2M-PUR	Single-ended female cordset, M8, 4-pin, PUR cable
V31-WM-2M-PUR	Single-ended female cordset, M8, 4-pin, PUR cable



R3 Series Thru-Beam Sensors

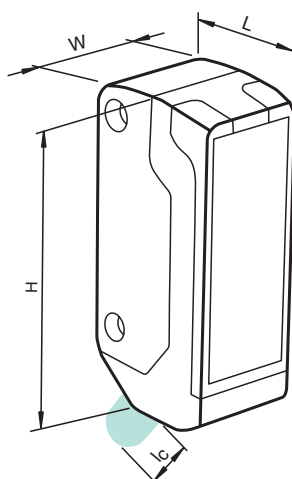


Standard Technical Data

Function principle	Thru-beam sensor
Voltage type	DC
Housing length L	13.8 mm
Housing width W	7.5 mm
Housing height H	26 mm
UL	■

For detailed data and description, see the datasheet. Further products can be found online at www.pepperl-fuchs.com.

Model number	Detection range [mm]	Light type	Output type	UB (min)	UB (max)	Connection type
OBE1000-R3-SE0-L	1000	Red laser diode	NPN	12	24	Fixed cable
OBE1000-R3-SE2-0,2M-V31-L	1000	Red laser diode	PNP	12	24	Fixed cable with M8 plug
OBE1000-R3-SE2-L	1000	Red laser diode	PNP	12	24	Fixed cable
OBE2000-R3-E2-0,2M-V3	2000	Red LED	PNP	10	30	Fixed cable with M8 plug
OBE2000-R3-E3-0,2M-V3	2000	Red LED	PNP	10	30	Fixed cable with M8 plug
OBE2000-R3-SE0	2000	Red LED	NPN	10	30	Fixed cable
OBE2000-R3-SE2	2000	Red LED	PNP	10	30	Fixed cable
OBE2000-R3-SE2-0,2M-V3	2000	Red LED	PNP	10	30	Fixed cable with M8 plug
OBE2000-R3-SE2-0,2M-V31	2000	Red LED	PNP	10	30	Fixed cable with M8 plug
OBE10M-R3-SE0-L	10000	Red laser diode	NPN	12	24	Fixed cable
OBE10M-R3-SE2-0,2M-V31-L	10000	Red laser diode	PNP	12	24	Fixed cable with M8 plug
OBE10M-R3-SE2-L	10000	Red laser diode	PNP	12	24	Fixed cable



Accessories

MH-R3-01	Mounting aid for sensors from the R3 series, mounting bracket
MH-R3-02	Mounting aid for sensors from the R3 series, mounting bracket
MH-R3-04	Mounting aid for sensors from the R3 series, mounting bracket
V3-WM-2M-PUR	Single-ended female cordset, M8, 3-pin, PUR cable
V31-GM-2M-PUR	Single-ended female cordset, M8, 4-pin, PUR cable
V31-WM-2M-PUR	Single-ended female cordset, M8, 4-pin, PUR cable

R3 Series Retroreflective Sensors

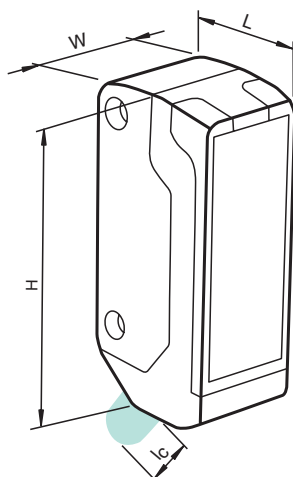


Standard Technical Data

Function principle	Retroreflective sensor with polarization filter
Voltage type	DC
Housing length L	13.8 mm
Housing width W	7.5 mm
Housing height H	26 mm
UL	■

For detailed data and description, see the datasheet. Further products can be found online at www.pepperl-fuchs.com.

Model number	Detection range [mm]	Light type	Output type	UB (min)	UB (max)	Connection type
OBR1000-R3-E0	1000	Red LED	NPN	10	30	Fixed cable
OBR1000-R3-E2	1000	Red LED	PNP	10	30	Fixed cable
OBR1000-R3-E2-0,2M-V3	1000	Red LED	PNP	10	30	Fixed cable with M8 plug
OBR1000-R3-E2-0,2M-V31	1000	Red LED	PNP	10	30	Fixed cable with M8 plug
OBR1000-R3-E3	1000	Red LED	PNP	10	30	Fixed cable
OBR1000-R3-E3-0,2M-V31	1000	Red LED	PNP	10	30	Fixed cable with M8 plug
OBR2000-R3-E0-L	2000	Red laser diode	NPN	12	24	Fixed cable
OBR2000-R3-E2-0,2M-V31-L	2000	Red laser diode	PNP	12	24	Fixed cable with M8 plug
OBR2000-R3-E2-L	2000	Red laser diode	PNP	12	24	Fixed cable



Accessories

MH-R3-01	Mounting aid for sensors from the R3 series, mounting bracket
MH-R3-02	Mounting aid for sensors from the R3 series, mounting bracket
MH-R3-03	Mounting aid for sensors from the R3 series, mounting bracket
MH-R3-04	Mounting aid for sensors from the R3 series, mounting bracket
REF-H40	Rectangular reflector, 47.5 mm x 23.5 mm, mounting holes, retaining tab
REF-MH23	Rectangular reflector with microstructure, 23 mm x 13.8 mm, diagonal mounting hole
V3-WM-2M-PUR	Single-ended female cordset, M8, 3-pin, PUR cable
V31-GM-2M-PUR	Single-ended female cordset, M8, 4-pin, PUR cable
V31-WM-2M-PUR	Single-ended female cordset, M8, 4-pin, PUR cable

R3 Series

Diffuse Mode Sensors



Standard Technical Data

Voltage type	DC
Housing length L	13.8 mm
Housing width W	7.5 mm
Housing height H	26 mm
UL	■

For detailed data and description, see the datasheet. Further products can be found online at www.pepperl-fuchs.com.

Model number	Function principle	Detection range [mm]	Light type	Output type	UB (min)	UB (max)	Connection type
OBT15-R3-E0	With background suppression	15	Red LED	NPN	10	30	Fixed cable
OBT15-R3-E0-1T	With background evaluation	15	Red LED	NPN	10	30	Fixed cable
OBT15-R3-E0-L	With background suppression	15	Red laser diode	NPN	12	24	Fixed cable
OBT15-R3-E2	With background suppression	15	Red LED	PNP	10	30	Fixed cable
OBT15-R3-E2-0,2M-V3	With background suppression	15	Red LED	PNP	10	30	Fixed cable with M8 plug
OBT15-R3-E2-0,2M-V31	With background suppression	15	Red LED	PNP	10	30	Fixed cable with M8 plug
OBT15-R3-E2-0,2M-V31-L	With background suppression	15	Red laser diode	PNP	12	24	Fixed cable with M8 plug
OBT15-R3-E2-1T	With background evaluation	15	Red LED	PNP	10	30	Fixed cable
OBT15-R3-E2-L	With background suppression	15	Red laser diode	PNP	12	24	Fixed cable
OBT30-R3-E0	With background suppression	30	Red LED	NPN	10	30	Fixed cable
OBT30-R3-E0-1T	With background evaluation	30	Red LED	NPN	10	30	Fixed cable
OBT30-R3-E0-L	With background suppression	30	Red laser diode	NPN	12	24	Fixed cable
OBT30-R3-E2	With background suppression	30	Red LED	PNP	10	30	Fixed cable
OBT30-R3-E2-0,2M-V3	With background suppression	30	Red LED	PNP	10	30	Fixed cable with M8 plug
OBT30-R3-E2-0,2M-V31	With background suppression	30	Red LED	PNP	10	30	Fixed cable with M8 plug
OBT30-R3-E2-0,2M-V31-L	With background suppression	30	Red laser diode	PNP	12	24	Fixed cable with M8 plug
OBT30-R3-E2-1T	With background evaluation	30	Red LED	PNP	10	30	Fixed cable
OBT30-R3-E2-2,5M-V3-L	With background suppression	30	Red laser diode	PNP	12	24	Fixed cable with M8 plug
OBT30-R3-E2-5M	With background suppression	30	Red LED	PNP	10	30	Fixed cable
OBT30-R3-E2-L	With background suppression	30	Red laser diode	PNP	12	24	Fixed cable
OBT50-R3-E0	With background suppression	50	Red LED	NPN	10	30	Fixed cable
OBT50-R3-E0-1T	With background evaluation	50	Red LED	NPN	10	30	Fixed cable
OBT50-R3-E0-L	With background suppression	50	Red laser diode	NPN	12	24	Fixed cable
OBT50-R3-E2	With background suppression	50	Red LED	PNP	10	30	Fixed cable
OBT50-R3-E2-0,2M-V3	With background suppression	50	Red LED	PNP	10	30	Fixed cable with M8 plug
OBT50-R3-E2-0,2M-V31	With background suppression	50	Red LED	PNP	10	30	Fixed cable with M8 plug
OBT50-R3-E2-0,2M-V31-L	With background suppression	50	Red laser diode	PNP	12	24	Fixed cable with M8 plug
OBT50-R3-E2-1T	With background evaluation	50	Red LED	PNP	10	30	Fixed cable
OBT50-R3-E2-3M	With background suppression	50	Red LED	PNP	10	30	Fixed cable
OBT50-R3-E2-5M	With background suppression	50	Red LED	PNP	10	30	Fixed cable
OBT50-R3-E2-L	With background suppression	50	Red laser diode	PNP	12	24	Fixed cable
OBT80-R3-E0	With background suppression	80	Red LED	NPN	10	30	Fixed cable
OBT80-R3-E0-L	With background suppression	80	Red laser diode	NPN	12	24	Fixed cable
OBT80-R3-E2	With background suppression	80	Red LED	PNP	10	30	Fixed cable
OBT80-R3-E2-0,2M-V3	With background suppression	80	Red LED	PNP	10	30	Fixed cable with M8 plug
OBT80-R3-E2-0,2M-V31	With background suppression	80	Red LED	PNP	10	30	Fixed cable with M8 plug
OBT80-R3-E2-0,2M-V31-L	With background suppression	80	Red laser diode	PNP	12	24	Fixed cable with M8 plug
OBT80-R3-E2-L	With background suppression	80	Red laser diode	PNP	12	24	Fixed cable
OBT80-R3-E3-0,2M-V31	With background suppression	80	Red LED	PNP	10	30	Fixed cable with M8 plug

R3F Series Thru-Beam Sensors



Standard Technical Data

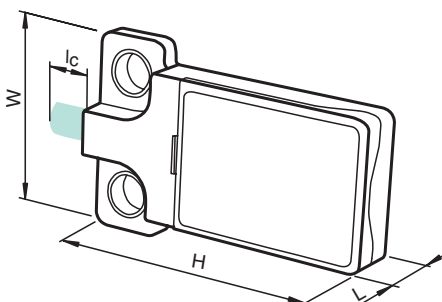
Function principle	Thru-beam sensor
Voltage type	DC
Housing length L	4.1 mm
Housing width W	16 mm
Housing height H	25.5 mm
UL	■

For detailed data and description, see the datasheet. Further products can be found online at www.pepperl-fuchs.com.

Model number	Detection range [mm]	Light type	Output type	UB (min)	UB (max)	Connection type
OBE500-R3F-SE0	500	Red LED	NPN	10	30	Fixed cable
OBE500-R3F-SE0-L	500	Red laser diode	NPN	12	24	Fixed cable
OBE500-R3F-SE2	500	Red LED	PNP	10	30	Fixed cable
OBE500-R3F-SE2-0,2M-V31	500	Red LED	PNP	10	30	Fixed cable with M8 plug
OBE500-R3F-SE2-0,2M-V31-L	500	Red laser diode	PNP	12	24	Fixed cable with M8 plug
OBE500-R3F-SE2-L	500	Red laser diode	PNP	12	24	Fixed cable
OBE1500-R3F-SE0-L	1500	Red laser diode	NPN	12	24	Fixed cable
OBE1500-R3F-SE2-0,2M-V31-L	1500	Red laser diode	PNP	12	24	Fixed cable with M8 plug
OBE1500-R3F-SE2-L	1500	Red laser diode	PNP	12	24	Fixed cable

Accessories

V31-WM-2M-PUR	Single-ended female cordset, M8, 4-pin, PUR cable
----------------------	---



R3F Series Retroreflective Sensors

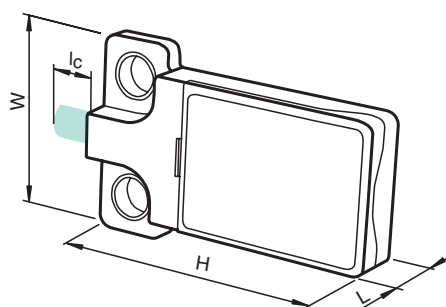


Standard Technical Data

Function principle	Retroreflective sensor with polarization filter
Detection range	1500 mm
Light type	Red laser diode
Voltage type	DC
Operating voltage (min)	12 V
Operating voltage (max)	24 V
Housing length L	4.1 mm
Housing width W	16 mm
Housing height H	25.5 mm
UL	■

For detailed data and description, see the datasheet. Further products can be found online at www.pepperl-fuchs.com.

Model number	Output type	Connection type
OBR1500-R3F-E0-L	NPN	Fixed cable
OBR1500-R3F-E1-0,2M-V31-L	NPN	Fixed cable with M8 plug
OBR1500-R3F-E2-0,2M-V31-L	PNP	Fixed cable with M8 plug
OBR1500-R3F-E2-L	PNP	Fixed cable



Accessories

REF-H23	Reflector with mounting holes
REF-H40	Rectangular reflector, 47.5 mm x 23.5 mm, mounting holes
REF-MH20	Rectangular reflector with microstructure, 32 mm x 20 mm, mounting holes
REF-MH23	Rectangular reflector with microstructure, 23 mm x 13.8 mm, diagonal mounting hole
V31-GM-2M-PUR	Single-ended female cordset, M8, 4-pin, PUR cable
V31-WM-2M-PUR	Single-ended female cordset, M8, 4-pin, PUR cable

R3F Series Diffuse Mode Sensors

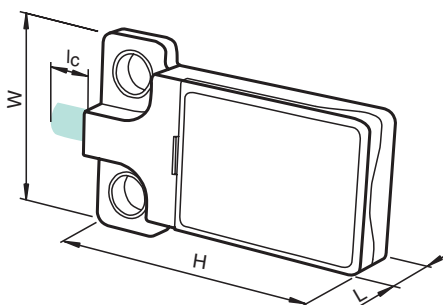


Standard Technical Data

Function principle	Triangulation sensor with background suppression
Voltage type	DC
Housing length L	4.1 mm
Housing width W	16 mm
Housing height H	25.5 mm
UL	■

For detailed data and description, see the datasheet. Further products can be found online at www.pepperl-fuchs.com.

Model number	Detection range [mm]	Light type	Output type	UB (min)	UB (max)	Connection type
OBT15-R3F-E0	15	Red LED	NPN	10	30	Fixed cable
OBT15-R3F-E0-L	15	Red laser diode	NPN	12	24	Fixed cable
OBT15-R3F-E2	15	Red LED	PNP	10	30	Fixed cable
OBT15-R3F-E2-0,2M-V31	15	Red LED	PNP	10	30	Fixed cable with M8 plug
OBT15-R3F-E2-0,2M-V31-L	15	Red laser diode	PNP	12	24	Fixed cable with M8 plug
OBT15-R3F-E2-L	15	Red laser diode	PNP	12	24	Fixed cable
OBT30-R3F-E0	30	Red LED	NPN	10	30	Fixed cable
OBT30-R3F-E0-L	30	Red laser diode	NPN	12	24	Fixed cable
OBT30-R3F-E2	30	Red LED	PNP	10	30	Fixed cable
OBT30-R3F-E2-0,2M-V31	30	Red LED	PNP	10	30	Fixed cable with M8 plug
OBT30-R3F-E2-0,2M-V31-L	30	Red laser diode	PNP	12	24	Fixed cable with M8 plug
OBT30-R3F-E2-L	30	Red laser diode	PNP	12	24	Fixed cable



Accessories

V31-GM-2M-PUR	Single-ended female cordset, M8, 4-pin, PUR cable
V31-WM-2M-PUR	Single-ended female cordset, M8, 4-pin, PUR cable

R100 Series Thru-Beam Sensors

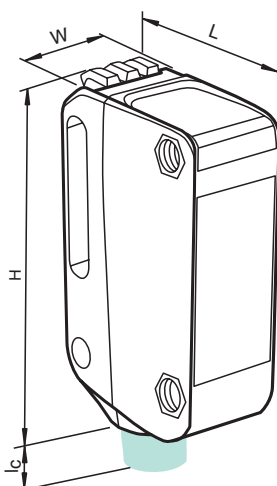


Standard Technical Data

Function principle	Thru-beam sensor
Interface	IO-Link
Operating elements	Potentiometer
Voltage type	DC
Operating voltage (min)	10 V
Operating voltage (max)	30 V
Housing length L	21.5 mm
Housing width W	11 mm
UL	■

For detailed data and description, see the datasheet. Further products can be found online at www.pepperl-fuchs.com.

Model number	Detection range [mm]	Light type	Output type	Connection type	Height H
OBE12M-R100-S2EP-IO	12000	Red LED	2 x push-pull	Fixed cable	37.1
OBE12M-R100-S2EP-IO-0,3M-V1	12000	Red LED	2 x push-pull	Fixed cable with M12 plug	37.1
OBE12M-R100-S2EP-IO-0,3M-V31	12000	Red LED	2 x push-pull	Fixed cable with M8 plug	37.1
OBE12M-R100-S2EP-IO-V31	12000	Red LED	2 x push-pull	M8 connector plug	44.5
OBE12M-R100-SEP-IO-0,3M-V3	12000	Red LED	1 x push-pull	Fixed cable with M8 plug	37.1
OBE12M-R100-SEP-IO-V3	12000	Red LED	1 x push-pull	M8 connector plug	37.1
OBE20M-R100-S2EP-IO-0,3M-V1-L	20000	Red laser diode	2 x push-pull	Fixed cable with M12 plug	37.1
OBE20M-R100-S2EP-IO-0,3M-V31-L	20000	Red laser diode	2 x push-pull	Fixed cable with M8 plug	37.1
OBE20M-R100-S2EP-IO-IR	20000	Infrared LED	2 x push-pull	Fixed cable	37.1
OBE20M-R100-S2EP-IO-L	20000	Red laser diode	2 x push-pull	Fixed cable	37.1
OBE20M-R100-S2EP-IO-V31-IR	20000	Infrared LED	2 x push-pull	M8 connector plug	44.5
OBE20M-R100-S2EP-IO-V31-L	20000	Red laser diode	2 x push-pull	M8 connector plug	44.5
OBE20M-R100-SEP-IO-0,3M-V3-L	20000	Red laser diode	1 x push-pull	Fixed cable with M8 plug	37.1
OBE20M-R100-SEP-IO-V3-L	20000	Red laser diode	1 x push-pull	M8 connector plug	37.1



Accessories

OMH-ML100-03	Mounting aid for circular profile \varnothing 12 mm or flat profile 1.5 mm
OMH-ML100-031	Mounting aid for circular profile \varnothing 10 mm ... 14 mm or flat profile
OMH-ML100-09	Mounting aid for circular profile \varnothing 12 mm or flat profile 1.5 mm
OMH-R10X-01	Mounting bracket
OMH-R10X-02	Mounting bracket
OMH-R10X-10	Mounting bracket
V1-G-2M-PUR	Single-ended female cordset, M12, 4-pin, PUR cable
V3-GM-2M-PUR	Single-ended female cordset, M8, 3-pin, PUR cable
V31-GM-2M-PUR	Single-ended female cordset, M8, 4-pin, PUR cable
V31-WM-2M-PUR	Single-ended female cordset, M8, 4-pin, PUR cable

R100 Series

Retroreflective Sensors



Standard Technical Data

Interface	IO-Link
Voltage type	DC
Operating voltage (min)	10 V
Operating voltage (max)	30 V
Housing length L	21.5 mm
Housing width W	11 mm
UL	■

For detailed data and description, see the datasheet. Further products can be found online at www.pepperl-fuchs.com.

Model number	Function principle	Detection range [mm]	Light type	Operating elements	Output type	Connection type	Height H
OBG5000-R100-2EP-IO	For clear object detection	3500	Red LED	Potentiometer, push-button	2 x push-pull	Fixed cable	37.1
OBG5000-R100-2EP-IO-0,3M-V1	For clear object detection	3500	Red LED	Potentiometer, push-button	2 x push-pull	Fixed cable with M12 plug	37.1
OBG5000-R100-2EP-IO-0,3M-V31	For clear object detection	3500	Red LED	Potentiometer, push-button	2 x push-pull	Fixed cable with M8 plug	37.1
OBG5000-R100-2EP-IO-V31	For clear object detection	3500	Red LED	Potentiometer, push-button	2 x push-pull	M8 connector plug	44.5
OBG5000-R100-2EP1-IO	For clear object detection	3500	Red LED	Potentiometer, push-button	2 x push-pull	Fixed cable	37.1
OBG5000-R100-2EP1-IO-0,3M-V1	For clear object detection	3500	Red LED	Potentiometer, push-button	2 x push-pull	Fixed cable with M12 plug	37.1
OBG5000-R100-2EP1-IO-V31	For clear object detection	3500	Red LED	Potentiometer, push-button	2 x push-pull	M8 connector plug	44.5
OBG5000-R100-E5-IO-V3	For clear object detection	3500	Red LED	Potentiometer, push-button	PNP	M8 connector plug	44.5
OBG5000-R100-EP-IO-0,3M-V3	For clear object detection	3500	Red LED	Potentiometer, push-button	1 x push-pull	Fixed cable with M8 plug	37.1
OBG5000-R100-EP-IO-V3	For clear object detection	3500	Red LED	Potentiometer, push-button	1 x push-pull	M8 connector plug	44.5
OBR7500-R100-EP-IO-V3	With polarization filter	7500	Red LED	Potentiometer	1 x push-pull	M8 connector plug	44.5
OBR7000-R100-2EP-IO-1R-IR	Without polarization filter	7000	Infrared LED	Potentiometer	2 x push-pull	Fixed cable	37.1
OBR7000-R100-2EP-IO-V31-1R-IR	Without polarization filter	7000	Infrared LED	Potentiometer	2 x push-pull	M8 connector plug	44.5
OBR7000-R100-2EP1-IO-V31-1R-IR	Without polarization filter	7000	Infrared LED	Potentiometer	2 x push-pull	M8 connector plug	44.5
OBR7500-R100-2EP-IO	With polarization filter	7500	Red LED	Potentiometer	2 x push-pull	Fixed cable	37.1
OBR7500-R100-2EP-IO-0,3M-V1	With polarization filter	7500	Red LED	Potentiometer	2 x push-pull	Fixed cable with M12 plug	37.1
OBR7500-R100-2EP-IO-0,3M-V31	With polarization filter	7500	Red LED	Potentiometer	2 x push-pull	Fixed cable with M8 plug	37.1
OBR7500-R100-2EP-IO-V31	With polarization filter	7500	Red LED	Potentiometer	2 x push-pull	M8 connector plug	44.5
OBR7500-R100-2EP1-IO	With polarization filter	7500	Red LED	Potentiometer	2 x push-pull	Fixed cable	37.1
OBR7500-R100-2EP1-IO-0,3M-V1	With polarization filter	7500	Red LED	Potentiometer	2 x push-pull	Fixed cable with M12 plug	37.1
OBR7500-R100-2EP1-IO-0,3M-V31	With polarization filter	7500	Red LED	Potentiometer	2 x push-pull	Fixed cable with M8 plug	37.1
OBR7500-R100-2EP1-IO-V31	With polarization filter	7500	Red LED	Potentiometer	2 x push-pull	M8 connector plug	44.5
OBR7500-R100-E2-IO-V31	With polarization filter	7500	Red LED	Potentiometer	PNP	M8 connector plug	44.5
OBR7500-R100-EP-IO-0,3M-V3	With polarization filter	7500	Red LED	Potentiometer	1 x push-pull	Fixed cable with M8 plug	37.1
OBR10M-R100-2EP-IO-1R-IR	Without polarization filter	10000	Infrared LED	Potentiometer	2 x push-pull	Fixed cable	37.1
OBR10M-R100-2EP-IO-V31-1R-IR	Without polarization filter	10000	Infrared LED	Potentiometer	2 x push-pull	M8 connector plug	44.5
OBR12M-R100-2EP-IO-0,3M-V1-L	With polarization filter	12000	Red laser diode	Potentiometer	2 x push-pull	Fixed cable with M12 plug	37.1
OBR12M-R100-2EP-IO-0,3M-V31-L	With polarization filter	12000	Red laser diode	Potentiometer	2 x push-pull	Fixed cable with M8 plug	37.1
OBR12M-R100-2EP-IO-L	With polarization filter	12000	Red laser diode	Potentiometer	2 x push-pull	Fixed cable	37.1
OBR12M-R100-2EP-IO-V31-L	With polarization filter	12000	Red laser diode	Potentiometer	2 x push-pull	M8 connector plug	44.5
OBR12M-R100-EP-IO-0,3M-V3-L	With polarization filter	12000	Red laser diode	Potentiometer	1 x push-pull	Fixed cable with M8 plug	37.1
OBR12M-R100-EP-IO-V3-L	With polarization filter	12000	Red laser diode	Potentiometer	1 x push-pull	M8 connector plug	44.5

R100 Series

Diffuse Mode Sensors



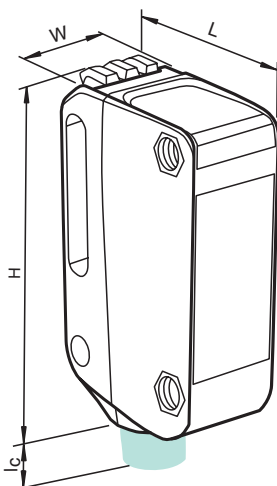
Standard Technical Data

Voltage type	DC
Operating voltage (min)	10 V
Operating voltage (max)	30 V
Housing length L	21.5 mm
Housing width W	11 mm
UL	■

For detailed data and description, see the datasheet. Further products can be found online at www.pepperl-fuchs.com.

Model number	Function principle	Detection range [mm]	Light type	Interface	Operating elements	Output type	Connection type	Height H	EAC
OBT100-R100-2EP-IO-0,3M-V1-L	With background suppression	100	Red laser diode	IO-Link	Potentiometer	2 x push-pull	Fixed cable with M12 plug	37.1	
OBT100-R100-2EP-IO-0,3M-V31-L	With background suppression	100	Red laser diode	IO-Link	Potentiometer	2 x push-pull	Fixed cable with M8 plug	37.1	
OBT100-R100-2EP-IO-1T-L	With background evaluation	100	Red laser diode	IO-Link	Potentiometer	2 x push-pull	Fixed cable	37.1	
OBT100-R100-2EP-IO-L	With background suppression	100	Red laser diode	IO-Link	Potentiometer	2 x push-pull	Fixed cable	37.1	
OBT100-R100-2EP-IO-V31-1T-L	With background evaluation	100	Red laser diode	IO-Link	Potentiometer	2 x push-pull	M8 connector plug	44.5	
OBT100-R100-2EP-IO-V31-L	With background suppression	100	Red laser diode	IO-Link	Potentiometer	2 x push-pull	M8 connector plug	44.5	
OBT100-R100-EP-IO-0,3M-V3-1T-L	With background evaluation	100	Red laser diode	IO-Link	Potentiometer	1 x push-pull	Fixed cable with M8 plug	37.1	
OBT100-R100-EP-IO-0,3M-V3-L	With background suppression	100	Red laser diode	IO-Link	Potentiometer	1 x push-pull	Fixed cable with M8 plug	37.1	
OBT100-R100-EP-IO-V3-1T-L	With background evaluation	100	Red laser diode	IO-Link	Potentiometer	1 x push-pull	M8 connector plug	44.5	
OBT100-R100-EP-IO-V3-L	With background suppression	100	Red laser diode	IO-Link	Potentiometer	1 x push-pull	M8 connector plug	44.5	
OBT150-R100-2EP-IO	With background suppression	150	Red LED	IO-Link	Potentiometer	2 x push-pull	Fixed cable	37.1	
OBT150-R100-2EP-IO-0,3M-V1	With background suppression	150	Red LED	IO-Link	Potentiometer	2 x push-pull	Fixed cable with M12 plug	37.1	
OBT150-R100-2EP1-IO	With background suppression	150	Red LED	IO-Link	Potentiometer	2 x push-pull	Fixed cable	37.1	
OBT150-R100-2EP1-IO-0,3M-V1	With background suppression	150	Red LED	IO-Link	Potentiometer	2 x push-pull	Fixed cable with M12 plug	37.1	
OBT150-R100-2EP1-IO-0,3M-V1-IR	With background suppression	150	Infrared LED	IO-Link	Potentiometer	2 x push-pull	Fixed cable with M12 plug	44.5	
OBT150-R100-2EP1-IO-0,3M-V31	With background suppression	150	Red LED	IO-Link	Potentiometer	2 x push-pull	Fixed cable with M8 plug	37.1	
OBT150-R100-2EP1-IO-IR	With background suppression	150	Infrared LED	IO-Link	Potentiometer	2 x push-pull	Fixed cable	37.1	
OBT150-R100-2EP1-IO-V31	With background suppression	150	Red LED	IO-Link	Potentiometer	2 x push-pull	M8 connector plug	44.5	
OBT150-R100-2EP1-IO-V31-IR	With background suppression	150	Infrared LED	IO-Link	Potentiometer	2 x push-pull	M8 connector plug	44.5	
OQT150-R100-2EP-IO	With multiple switch points	150	Red LED	IO-Link	Potentiometer, push-button	2 x push-pull	Fixed cable	37.1	
OQT150-R100-2EP-IO-0,3M-V1	With multiple switch points	150	Red LED	IO-Link	Potentiometer, push-button	2 x push-pull	Fixed cable with M12 plug	37.1	
OQT150-R100-2EP-IO-0,3M-V1-L	With multiple switch points	150	Red laser diode	IO-Link	Potentiometer, push-button	2 x push-pull	Fixed cable with M12 plug	37.1	
OQT150-R100-2EP-IO-0,3M-V31	With multiple switch points	150	Red LED	IO-Link	Potentiometer, push-button	2 x push-pull	Fixed cable with M8 plug	37.1	
OQT150-R100-2EP-IO-0,3M-V31-L	With multiple switch points	150	Red laser diode	IO-Link	Potentiometer, push-button	2 x push-pull	Fixed cable with M8 plug	37.1	
OQT150-R100-2EP-IO-IR	With multiple switch points	150	Infrared LED	IO-Link	Potentiometer, push-button	2 x push-pull	Fixed cable	37.1	
OQT150-R100-2EP-IO-L	With multiple switch points	150	Red laser diode	IO-Link	Potentiometer, push-button	2 x push-pull	Fixed cable	37.1	
OQT150-R100-2EP-IO-V31	With multiple switch points	150	Red LED	IO-Link	Potentiometer, push-button	2 x push-pull	M8 connector plug	44.5	
OQT150-R100-2EP-IO-V31-IR	With multiple switch points	150	Infrared LED	IO-Link	Potentiometer, push-button	2 x push-pull	M8 connector plug	44.5	
OQT150-R100-2EP-IO-V31-L	With multiple switch points	150	Red laser diode	IO-Link	Potentiometer, push-button	2 x push-pull	M8 connector plug	44.5	
OQT150-R100-EP-IO-0,3M-V3	With multiple switch points	150	Red LED	IO-Link	Potentiometer, push-button	1 x push-pull	Fixed cable with M8 plug	37.1	
OQT150-R100-EP-IO-0,3M-V3-L	With multiple switch points	150	Red laser diode	IO-Link	Potentiometer, push-button	1 x push-pull	Fixed cable with M8 plug	37.1	

Model number	Function principle	Detection range [mm]	Light type	Interface	Operating elements	Output type	Connection type	Height H	EAC
OQT150-R100-EP-IO-V3	With multiple switch points	150	Red LED	IO-Link	Potentiometer, push-button	1 x push-pull	M8 connector plug	44.5	
OQT150-R100-EP-IO-V3-L	With multiple switch points	150	Red laser diode	IO-Link	Potentiometer, push-button	1 x push-pull	M8 connector plug	44.5	
OBT300-R100-2EP-IO-0,3M-V1-L	With background suppression	300	Red laser diode	IO-Link	Potentiometer	2 x push-pull	Fixed cable with M12 plug	37.1	
OBT300-R100-2EP-IO-0,3M-V31-L	With background suppression	300	Red laser diode	IO-Link	Potentiometer	2 x push-pull	Fixed cable with M8 plug	37.1	
OBT300-R100-2EP-IO-1T-L	With background evaluation	300	Red laser diode	IO-Link	Potentiometer	2 x push-pull	Fixed cable	37.1	
OBT300-R100-2EP-IO-L	With background suppression	300	Red laser diode	IO-Link	Potentiometer	2 x push-pull	Fixed cable	37.1	
OBT300-R100-2EP-IO-V31-1T-L	With background evaluation	300	Red laser diode	IO-Link	Potentiometer	2 x push-pull	M8 connector plug	44.5	
OBT300-R100-2EP-IO-V31-L	With background suppression	300	Red laser diode	IO-Link	Potentiometer	2 x push-pull	M8 connector plug	44.5	
OBT300-R100-E5-IO-0,3M-V3-L	With background suppression	300	Red laser diode	IO-Link	Potentiometer	PNP	Fixed cable with M8 plug	37.1	
OBT300-R100-E5-IO-L	With background suppression	300	Red laser diode	IO-Link	Potentiometer	PNP	Fixed cable	37.1	
OBT300-R100-E5-V31-L	With background suppression	300	Red laser diode		Potentiometer	PNP	M8 connector plug	44.5	
OBT300-R100-EP-IO-0,3M-V3-1T-L	With background evaluation	300	Red laser diode	IO-Link	Potentiometer	1 x push-pull	Fixed cable with M8 plug	37.1	
OBT300-R100-EP-IO-0,3M-V3-L	With background suppression	300	Red laser diode	IO-Link	Potentiometer	1 x push-pull	Fixed cable with M8 plug	37.1	
OBT300-R100-EP-IO-V3-1T-L	With background evaluation	300	Red laser diode	IO-Link	Potentiometer	1 x push-pull	M8 connector plug	44.5	
OBT300-R100-EP-IO-V3-L	With background suppression	300	Red laser diode	IO-Link	Potentiometer	1 x push-pull	M8 connector plug	44.5	
OBT350-R100-2EP-IO	With background suppression	350	Red LED	IO-Link	Potentiometer	2 x push-pull	Fixed cable	37.1	
OBT350-R100-2EP-IO-0,3M-V1	With background suppression	350	Red LED	IO-Link	Potentiometer	2 x push-pull	Fixed cable with M12 plug	37.1	
OBT350-R100-2EP-IO-0,3M-V1-1T	With background evaluation	350	Red LED	IO-Link	Potentiometer	2 x push-pull	Fixed cable with M12 plug	37.1	
OBT350-R100-2EP-IO-0,3M-V1-IR	With background suppression	350	Infrared LED	IO-Link	Potentiometer	2 x push-pull	Fixed cable with M12 plug	37.1	
OBT350-R100-2EP-IO-0,3M-V31	With background suppression	350	Red LED	IO-Link	Potentiometer	2 x push-pull	Fixed cable with M8 plug	37.1	
OBT350-R100-2EP-IO-0,3M-V31-1T	With background evaluation	350	Red LED	IO-Link	Potentiometer	2 x push-pull	Fixed cable with M8 plug	37.1	
OBT350-R100-2EP-IO-0,3M-V31-IR	With background suppression	350	Infrared LED	IO-Link	Potentiometer	2 x push-pull	Fixed cable with M8 plug	37.1	
OBT350-R100-2EP-IO-1T	With background evaluation	350	Red LED	IO-Link	Potentiometer	2 x push-pull	Fixed cable	37.1	
OBT350-R100-2EP-IO-1T-IR	With background evaluation	350	Infrared LED	IO-Link	Potentiometer	2 x push-pull	Fixed cable	37.1	
OBT350-R100-2EP-IO-IR	With background suppression	350	Infrared LED	IO-Link	Potentiometer	2 x push-pull	Fixed cable	37.1	
OBT350-R100-2EP-IO-V31	With background suppression	350	Red LED	IO-Link	Potentiometer	2 x push-pull	M8 connector plug	44.5	
OBT350-R100-2EP-IO-V31-1T	With background evaluation	350	Red LED	IO-Link	Potentiometer	2 x push-pull	M8 connector plug	44.5	
OBT350-R100-2EP-IO-V31-1T-IR	With background evaluation	350	Infrared LED	IO-Link	Potentiometer	2 x push-pull	M8 connector plug	44.5	
OBT350-R100-2EP-IO-V31-IR	With background suppression	350	Infrared LED	IO-Link	Potentiometer	2 x push-pull	M8 connector plug	44.5	
OBT350-R100-2EP1-IO-0,3M-V1-IR	With background suppression	350	Infrared LED	IO-Link	Potentiometer	2 x push-pull	Fixed cable with M12 plug	44.5	
OBT350-R100-2EP1-IO-IR	With background suppression	350	Infrared LED	IO-Link	Potentiometer	2 x push-pull	Fixed cable	37.1	
OBT350-R100-2EP1-IO-V31-IR	With background suppression	350	Infrared LED	IO-Link	Potentiometer	2 x push-pull	M8 connector plug	44.5	
OBT350-R100-EP-IO-0,3M-V3	With background suppression	350	Red LED	IO-Link	Potentiometer	1 x push-pull	Fixed cable with M8 plug	37.1	
OBT350-R100-EP-IO-0,3M-V3-1T	With background evaluation	350	Red LED	IO-Link	Potentiometer	1 x push-pull	Fixed cable with M8 plug	37.1	
OBT350-R100-EP-IO-V3	With background suppression	350	Red LED	IO-Link	Potentiometer	1 x push-pull	M8 connector plug	44.5	
OBT350-R100-EP-IO-V3-1T	With background evaluation	350	Red LED	IO-Link	Potentiometer	1 x push-pull	M8 connector plug	44.5	
OBD1000-R100-2EP-IO	Energetic	1000	Red LED	IO-Link	Potentiometer	2 x push-pull	Fixed cable	37.1	
OBD1000-R100-2EP-IO-0,3M-V1	Energetic	1000	Red LED	IO-Link	Potentiometer	2 x push-pull	Fixed cable with M12 plug	37.1	
OBD1000-R100-2EP-IO-0,3M-V31	Energetic	1000	Red LED	IO-Link	Potentiometer	2 x push-pull	Fixed cable with M8 plug	37.1	
OBD1000-R100-2EP-IO-V31	Energetic	1000	Red LED	IO-Link	Potentiometer	2 x push-pull	M8 connector plug	44.5	
OBD1000-R100-EP-IO-0,3M-V3	Energetic	1000	Red LED	IO-Link	Potentiometer	1 x push-pull	Fixed cable with M8 plug	37.1	
OBD1000-R100-EP-IO-V3	Energetic	1000	Red LED	IO-Link	Potentiometer	1 x push-pull	M8 connector plug	37.1	
OBD1100-R100-2EP-IO-IR	Energetic	1100	Infrared LED	IO-Link	Potentiometer	2 x push-pull	Fixed cable	37.1	
OBD1100-R100-2EP-IO-V31-IR	Energetic	1100	Infrared LED	IO-Link	Potentiometer	2 x push-pull	M8 connector plug	44.5	



Accessories

IO-Link-Master02-USB	IO-Link master, power supply via USB port
OMH-ML100-03	Mounting aid for circular profile \varnothing 12 mm or flat profile 1.5 mm ... 3 mm
OMH-ML100-031	Mounting aid for circular profile \varnothing 10 mm ... 14 mm or flat profile 1 mm ... 5 mm
OMH-ML100-09	Mounting aid for circular profile \varnothing 12 mm or flat profile 1.5 mm ... 3 mm
OMH-R10X-01	Mounting bracket
OMH-R10X-02	Mounting bracket
OMH-R10X-04	Mounting bracket
OMH-R10X-10	Mounting bracket
V1-G-2M-PUR	Single-ended female cordset, M12, 4-pin, PUR cable
V1-W-2M-PUR	Single-ended female cordset, M12, 4-pin, PUR cable

R101 Series Thru-Beam Sensors

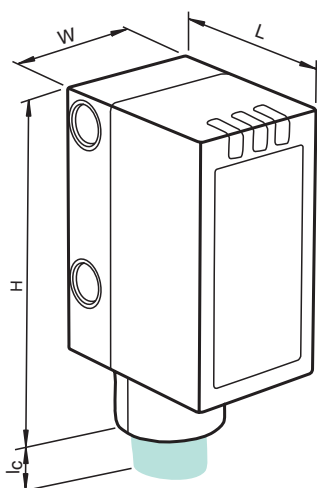


Standard Technical Data

Function principle	Thru-beam sensor
Interface	IO-Link
Operating elements	Potentiometer
Voltage type	DC
Operating voltage (min)	10 V
Operating voltage (max)	30 V
Housing length L	18.3 mm
Housing width W	13.9 mm
UL	■

For detailed data and description, see the datasheet. Further products can be found online at www.pepperl-fuchs.com.

Model number	Detection range [mm]	Light type	Output type	Connection type	Height H
OBE12M-R101-S2EP-IO	12000	Red LED	2 x push-pull	Fixed cable	33.8
OBE12M-R101-S2EP-IO-0,3M-V1	12000	Red LED	2 x push-pull	Fixed cable with M12 plug	33.8
OBE12M-R101-S2EP-IO-0,3M-V31	12000	Red LED	2 x push-pull	Fixed cable with M8 plug	33.8
OBE12M-R101-S2EP-IO-V31	12000	Red LED	2 x push-pull	M8 connector plug	41.4
OBE12M-R101-SEP-IO-0,3M-V3	12000	Red LED	1 x push-pull	Fixed cable with M8 plug	33.8
OBE12M-R101-SEP-IO-V3	12000	Red LED	1 x push-pull	M8 connector plug	33.8
OBE20M-R101-S2EP-IO-0,3M-V1-L	20000	Red laser diode	2 x push-pull	Fixed cable with M12 plug	33.8
OBE20M-R101-S2EP-IO-0,3M-V31-L	20000	Red laser diode	2 x push-pull	Fixed cable with M8 plug	33.8
OBE20M-R101-S2EP-IO-IR	20000	Infrared LED	2 x push-pull	Fixed cable	33.8
OBE20M-R101-S2EP-IO-L	20000	Red laser diode	2 x push-pull	Fixed cable	33.8
OBE20M-R101-S2EP-IO-V31-IR	20000	Infrared LED	2 x push-pull	M8 connector plug	41.4
OBE20M-R101-S2EP-IO-V31-L	20000	Red laser diode	2 x push-pull	M8 connector plug	41.4
OBE20M-R101-SEP-IO-0,3M-V3-L	20000	Red laser diode	1 x push-pull	Fixed cable with M8 plug	33.8
OBE20M-R101-SEP-IO-V3-L	20000	Red laser diode	1 x push-pull	M8 connector plug	33.8



Accessories

IO-Link-Master02-USB	IO-Link master, supply via USB port or separate power supply, LED indicators, M12 plug for sensor connection
OMH-4.1	Mounting clamp
OMH-R101	Mounting clamp
OMH-R101-Front	Mounting clamp
V1-G-2M-PUR	Single-ended female cordset, M12, 4-pin, PUR cable
V3-GM-2M-PUR	Single-ended female cordset, M8, 3-pin, PUR cable
V31-GM-2M-PUR	Single-ended female cordset, M8, 4-pin, PUR cable
V31-WM-2M-PUR	Single-ended female cordset, M8, 4-pin, PUR cable

R101 Series

Retroreflective Sensors

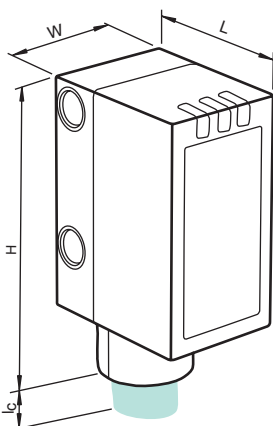


Standard Technical Data

Voltage type	DC
Operating voltage (min)	10 V
Operating voltage (max)	30 V
Housing length L	18.3 mm
Housing width W	13.9 mm
UL	■

For detailed data and description, see the datasheet. Further products can be found online at www.pepperl-fuchs.com.

Model number	Function principle	Detection range [mm]	Light type	Interface	Operating elements	Output type	Connection type	Height H
OBG5000-R101-2EP-IO	For clear object detection	3500	Red LED	IO-Link	Potentiometer, push-button	2 x push-pull	Fixed cable	33.8
OBG5000-R101-2EP-IO-0,3M-V1	For clear object detection	3500	Red LED	IO-Link	Potentiometer, push-button	2 x push-pull	Fixed cable with M12 plug	33.8
OBG5000-R101-2EP-IO-0,3M-V31	For clear object detection	3500	Red LED	IO-Link	Potentiometer, push-button	2 x push-pull	Fixed cable with M8 plug	33.8
OBG5000-R101-2EP-IO-V31	For clear object detection	3500	Red LED	IO-Link	Potentiometer, push-button	2 x push-pull	M8 connector plug	41.4
OBG5000-R101-2EP1-IO	For clear object detection	3500	Red LED	IO-Link	Potentiometer, push-button	2 x push-pull	Fixed cable	33.8
OBG5000-R101-2EP1-IO-V31	For clear object detection	3500	Red LED	IO-Link	Potentiometer, push-button	2 x push-pull	M8 connector plug	41.4
OBG5000-R101-2P1-IO	With polarization filter	5000	Red LED	IO-Link		2 x push-pull	Fixed cable	31.9
OBG5000-R101-2P1-IO-V31	With polarization filter	5000	Red LED	IO-Link		2 x push-pull	M8 connector plug	39.5
OBG5000-R101-EP-IO-0,3M-V3	For clear object detection	3500	Red LED	IO-Link	Potentiometer, push-button	1 x push-pull	Fixed cable with M8 plug	33.8
OBG5000-R101-EP-IO-V3	For clear object detection	3500	Red LED	IO-Link	Potentiometer, push-button	1 x push-pull	M8 connector plug	41.4
OBR7000-R101-2EP-IO-1R-IR	Without polarization filter	7000	Infrared LED	IO-Link	Potentiometer	2 x push-pull	Fixed cable	33.8
OBR7000-R101-2EP-IO-V31-1R-IR	Without polarization filter	7000	Infrared LED	IO-Link	Potentiometer	2 x push-pull	M8 connector plug	41.4
OBR7500-R101-2EP-IO	With polarization filter	7500	Red LED	IO-Link	Potentiometer	2 x push-pull	Fixed cable	33.8
OBR7500-R101-2EP-IO-0,3M-V1	With polarization filter	7500	Red LED	IO-Link	Potentiometer	2 x push-pull	Fixed cable with M12 plug	33.8
OBR7500-R101-2EP-IO-0,3M-V31	With polarization filter	7500	Red LED	IO-Link	Potentiometer	2 x push-pull	Fixed cable with M8 plug	33.8
OBR7500-R101-2EP-IO-V31	With polarization filter	7500	Red LED	IO-Link	Potentiometer	2 x push-pull	M8 connector plug	41.4
OBR7500-R101-E5-0,3M-V1	With polarization filter	7500	Red LED		Potentiometer	PNP	Fixed cable with M12 plug	33.8
OBR7500-R101-EP-IO-0,3M-V3	With polarization filter	7500	Red LED	IO-Link	Potentiometer	1 x push-pull	Fixed cable with M8 plug	33.8
OBR7500-R101-EP-IO-V3	With polarization filter	7500	Red LED	IO-Link	Potentiometer	1 x push-pull	M8 connector plug	41.4
OBR7500-R101-P1-Y0447	With polarization filter	7500	Red LED			1 x push-pull	M8 connector plug	39.5
OBR10M-R101-2EP-IO-1R-IR	Without polarization filter	10000	Infrared LED	IO-Link	Potentiometer	2 x push-pull	Fixed cable	33.8
OBR10M-R101-2EP-IO-V31-1R-IR	Without polarization filter	10000	Infrared LED	IO-Link	Potentiometer	2 x push-pull	M8 connector plug	41.4
OBR12M-R101-2EP-IO-0,3M-V1-L	With polarization filter	12000	Red laser diode	IO-Link	Potentiometer	2 x push-pull	Fixed cable with M12 plug	33.8
OBR12M-R101-2EP-IO-0,3M-V31-L	With polarization filter	12000	Red laser diode	IO-Link	Potentiometer	2 x push-pull	M8 connector plug	41.4
OBR12M-R101-2EP-IO-L	With polarization filter	12000	Red laser diode	IO-Link	Potentiometer	2 x push-pull	Fixed cable	33.8
OBR12M-R101-2EP-IO-V31-L	With polarization filter	12000	Red laser diode	IO-Link	Potentiometer	2 x push-pull	M8 connector plug	41.4
OBR12M-R101-EP-IO-0,3M-V3-L	With polarization filter	12000	Red laser diode	IO-Link	Potentiometer	1 x push-pull	Fixed cable with M8 plug	33.8
OBR12M-R101-EP-IO-V3-L	With polarization filter	12000	Red laser diode	IO-Link	Potentiometer	1 x push-pull	M8 connector plug	41.4



Accessories

OFR-100/100	Optical reflective film, 100 mm x 100 mm
OMH-4.1	Mounting clamp
OMH-R101	Mounting clamp
OMH-R101-Front	Mounting clamp
REF-H32G-2	Reflector
REF-H33	Reflector with screw fixing
REF-H50	Rectangular reflector, 51 mm x 61 mm, mounting holes
REF-H85-2	Rectangular reflector, 84.5 mm x 84.5 mm
REF-MVR10	Rectangular reflector with microstructure, 60 mm x 19 mm
REF-ORR50G-2	Reflector

R101 Series

Diffuse Mode Sensors



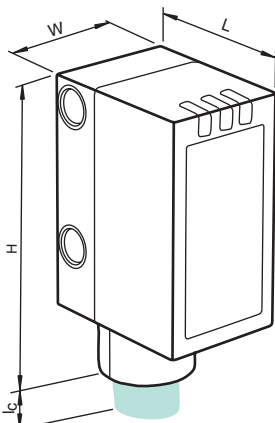
Standard Technical Data

Interface	IO-Link
Voltage type	DC
Operating voltage (min)	10 V
Operating voltage (max)	30 V
Housing length L	18.3 mm
Housing width W	13.9 mm
UL	

For detailed data and description, see the datasheet. Further products can be found online at www.pepperl-fuchs.com.

Model number	Function principle	Detection range [mm]	Light type	Operating elements	Output type	Connection type	Height H
OBT20-R101-2P1-IO	With background suppression	20	Red LED		2 x push-pull	Fixed cable	31.9
OBT20-R101-2P1-IO-0,3M-V1	With background suppression	20	Red LED		2 x push-pull	Fixed cable with M12 plug	31.9
OBT20-R101-2P1-IO-0,3M-V31	With background suppression	20	Red LED		2 x push-pull	Fixed cable with M8 plug	31.9
OBT20-R101-2P1-IO-V31	With background suppression	20	Red LED		2 x push-pull	M8 connector plug	31.9
OBT20-R101-2P1-IO-V31-IR	With background suppression	20	Infrared LED		2 x push-pull	M8 connector plug	31.9
OBT40-R101-2P1-IO	With background suppression	40	Red LED		2 x push-pull	Fixed cable	31.9
OBT40-R101-2P1-IO-0,3M-V1	With background suppression	40	Red LED		2 x push-pull	Fixed cable with M12 plug	31.9
OBT40-R101-2P1-IO-V31	With background suppression	40	Red LED		2 x push-pull	M8 connector plug	31.9
OBT40-R101-2P1-IO-V31-IR	With background suppression	40	Infrared LED		2 x push-pull	M8 connector plug	31.9
OBT60-R101-2P1-IO	With background suppression	60	Red LED		2 x push-pull	Fixed cable	31.9
OBT60-R101-2P1-IO-0,3M-V1	With background suppression	60	Red LED		2 x push-pull	Fixed cable with M12 plug	31.9
OBT60-R101-2P1-IO-0,3M-V31	With background suppression	60	Red LED		2 x push-pull	Fixed cable with M8 plug	31.9
OBT60-R101-2P1-IO-IR	With background suppression	60	Infrared LED		2 x push-pull	Fixed cable	31.9
OBT60-R101-2P1-IO-V31	With background suppression	60	Red LED		2 x push-pull	M8 connector plug	31.9
OBT60-R101-2P1-IO-V31-IR	With background suppression	60	Infrared LED		2 x push-pull	M8 connector plug	31.9
OBT80-R101-2P1-IO	With background suppression	80	Red LED		2 x push-pull	Fixed cable	31.9
OBT80-R101-2P1-IO-0,3M-V1	With background suppression	80	Red LED		2 x push-pull	Fixed cable with M12 plug	31.9
OBT80-R101-2P1-IO-0,3M-V31	With background suppression	80	Red LED		2 x push-pull	Fixed cable with M8 plug	31.9
OBT80-R101-2P1-IO-V31	With background suppression	80	Red LED		2 x push-pull	M8 connector plug	31.9
OBT80-R101-2P1-IO-V31-IR	With background suppression	80	Infrared LED		2 x push-pull	M8 connector plug	31.9
OBT100-R101-2EP-IO-0,3M-V1-L	With background suppression	100	Red laser diode	Potentiometer	2 x push-pull	Fixed cable with M12 plug	33.8
OBT100-R101-2EP-IO-0,3M-V31-L	With background suppression	100	Red laser diode	Potentiometer	2 x push-pull	Fixed cable with M8 plug	33.8
OBT100-R101-2EP-IO-1T-L	With background evaluation	100	Red laser diode	Potentiometer	2 x push-pull	Fixed cable	33.8
OBT100-R101-2EP-IO-1T-L-Y0244	With background evaluation	100	Red laser diode	Potentiometer	2 x push-pull	Fixed cable with M8 plug	33.8
OBT100-R101-2EP-IO-1T-L-Y0245	With background evaluation	100	Red laser diode	Potentiometer	2 x push-pull	Fixed cable with M12 plug	33.8
OBT100-R101-2EP-IO-L	With background suppression	100	Red laser diode	Potentiometer	2 x push-pull	Fixed cable	33.8
OBT100-R101-2EP-IO-V31-1T-L	With background evaluation	100	Red laser diode	Potentiometer	2 x push-pull	M8 connector plug	41.4
OBT100-R101-2EP-IO-V31-L	With background suppression	100	Red laser diode	Potentiometer	2 x push-pull	M8 connector plug	41.4
OBT100-R101-EP-IO-0,3M-V3-1T-L	With background evaluation	100	Red laser diode	Potentiometer	1 x push-pull	Fixed cable with M8 plug	33.8
OBT100-R101-EP-IO-0,3M-V3-L	With background suppression	100	Red laser diode	Potentiometer	1 x push-pull	Fixed cable with M8 plug	33.8
OBT100-R101-EP-IO-V3-1T-L	With background evaluation	100	Red laser diode	Potentiometer	1 x push-pull	M8 connector plug	41.4
OBT100-R101-EP-IO-V3-L	With background suppression	100	Red laser diode	Potentiometer	1 x push-pull	M8 connector plug	41.4
OBT150-R101-2EP1-IO	With background suppression	150	Red LED	Potentiometer	2 x push-pull	Fixed cable	33.8
OBT150-R101-2EP1-IO-0,3M-V1	With background suppression	150	Red LED	Potentiometer	2 x push-pull	Fixed cable with M12 plug	33.8
OBT150-R101-2EP1-IO-V31	With background suppression	150	Red LED	Potentiometer	2 x push-pull	M8 connector plug	33.8
OBT150-R101-2EP1-IO-V31-IR	With background suppression	150	Infrared LED	Potentiometer	2 x push-pull	M8 connector plug	33.8
OQT150-R101-2EP-IO	With multiple switch points	150	Red LED	Potentiometer, push-button	2 x push-pull	Fixed cable	33.8
OQT150-R101-2EP-IO-0,3M-V1	With multiple switch points	150	Red LED	Potentiometer, push-button	2 x push-pull	Fixed cable with M12 plug	33.8
OQT150-R101-2EP-IO-0,3M-V1-L	With multiple switch points	150	Red laser diode	Potentiometer, push-button	2 x push-pull	Fixed cable with M12 plug	33.8
OQT150-R101-2EP-IO-0,3M-V31	With multiple switch points	150	Red LED	Potentiometer, push-button	2 x push-pull	Fixed cable with M8 plug	33.8

Model number	Function principle	Detection range [mm]	Light type	Operating elements	Output type	Connection type	Height H
OQT150-R101-2EP-IO-0,3M-V31-L	With multiple switch points	150	Red laser diode	Potentiometer, push-button	2 x push-pull	Fixed cable with M8 plug	33.8
OQT150-R101-2EP-IO-IR	With multiple switch points	150	Infrared LED	Potentiometer, push-button	2 x push-pull	Fixed cable	33.8
OQT150-R101-2EP-IO-L	With multiple switch points	150	Red laser diode	Potentiometer, push-button	2 x push-pull	Fixed cable	33.8
OQT150-R101-2EP-IO-V31	With multiple switch points	150	Red LED	Potentiometer, push-button	2 x push-pull	M8 connector plug	41.4
OQT150-R101-2EP-IO-V31-IR	With multiple switch points	150	Infrared LED	Potentiometer, push-button	2 x push-pull	M8 connector plug	41.4
OQT150-R101-2EP-IO-V31-L	With multiple switch points	150	Red laser diode	Potentiometer, push-button	2 x push-pull	M8 connector plug	41.4
OQT150-R101-EP-IO-0,3M-V3	With multiple switch points	150	Red LED	Potentiometer, push-button	1 x push-pull	Fixed cable with M8 plug	33.8
OQT150-R101-EP-IO-0,3M-V3-L	With multiple switch points	150	Red laser diode	Potentiometer, push-button	1 x push-pull	Fixed cable with M8 plug	33.8
OQT150-R101-EP-IO-V3	With multiple switch points	150	Red LED	Potentiometer, push-button	1 x push-pull	M8 connector plug	41.4
OQT150-R101-EP-IO-V3-L	With multiple switch points	150	Red laser diode	Potentiometer, push-button	1 x push-pull	M8 connector plug	41.4
OBT300-R101-2EP-IO-0,3M-V1-L	With background suppression	300	Red laser diode	Potentiometer	2 x push-pull	Fixed cable with M12 plug	33.8
OBT300-R101-2EP-IO-0,3M-V31-L	With background suppression	300	Red laser diode	Potentiometer	2 x push-pull	Fixed cable with M8 plug	33.8
OBT300-R101-2EP-IO-1T-L	With background evaluation	300	Red laser diode	Potentiometer	2 x push-pull	Fixed cable	33.8
OBT300-R101-IO-1T-L-Y0112	With background evaluation	300	Red laser diode	Potentiometer	2 x push-pull	Fixed cable with M8 plug	33.8
OBT300-R101-IO-1T-L-Y0113	With background evaluation	300	Red laser diode	Potentiometer	2 x push-pull	Fixed cable with M12 plug	33.8
OBT300-R101-2EP-IO-L	With background suppression	300	Red laser diode	Potentiometer	2 x push-pull	Fixed cable	33.8
OBT300-R101-2EP-IO-0,3M-V31-1T-L	With background evaluation	300	Red laser diode	Potentiometer	2 x push-pull	M8 connector plug	41.4
OBT300-R101-2EP-IO-V31-L	With background suppression	300	Red laser diode	Potentiometer	2 x push-pull	M8 connector plug	41.4
OBT300-R101-EP-IO-0,3M-V3-1T-L	With background evaluation	300	Red laser diode	Potentiometer	1 x push-pull	Fixed cable with M8 plug	33.8
OBT300-R101-EP-IO-0,3M-V3-L	With background suppression	300	Red laser diode	Potentiometer	1 x push-pull	Fixed cable with M8 plug	33.8
OBT300-R101-EP-IO-V3-1T-L	With background evaluation	300	Red laser diode	Potentiometer	1 x push-pull	M8 connector plug	41.4
OBT300-R101-EP-IO-V3-L	With background suppression	300	Red laser diode	Potentiometer	1 x push-pull	M8 connector plug	41.4
OBT350-R101-2EP-IO	With background suppression	350	Red LED	Potentiometer	2 x push-pull	Fixed cable	33.8
OBT350-R101-2EP-IO-0,3M-V1	With background suppression	350	Red LED	Potentiometer	2 x push-pull	Fixed cable with M12 plug	33.8
OBT350-R101-2EP-IO-0,3M-V1-1T	With background evaluation	350	Red LED	Potentiometer	2 x push-pull	Fixed cable with M12 plug	33.8
OBT350-R101-2EP-IO-0,3M-V31	With background suppression	350	Red LED	Potentiometer	2 x push-pull	Fixed cable with M8 plug	33.8
OBT350-R101-2EP-IO-0,3M-V31-1T	With background evaluation	350	Red LED	Potentiometer	2 x push-pull	Fixed cable with M8 plug	33.8
OBT350-R101-2EP-IO-1T	With background evaluation	350	Red LED	Potentiometer	2 x push-pull	Fixed cable	33.8
OBT350-R101-2EP-IO-1T-IR	With background evaluation	350	Infrared LED	Potentiometer	2 x push-pull	Fixed cable	33.8
OBT350-R101-2EP-IO-IR	With background suppression	350	Infrared LED	Potentiometer	2 x push-pull	Fixed cable	33.8
OBT350-R101-2EP-IO-V31	With background suppression	350	Red LED	Potentiometer	2 x push-pull	M8 connector plug	41.4
OBT350-R101-2EP-IO-V31-1T	With background evaluation	350	Red LED	Potentiometer	2 x push-pull	M8 connector plug	41.4
OBT350-R101-2EP-IO-V31-1T-IR	With background evaluation	350	Infrared LED	Potentiometer	2 x push-pull	M8 connector plug	41.4
OBT350-R101-2EP-IO-V31-IR	With background suppression	350	Infrared LED	Potentiometer	2 x push-pull	M8 connector plug	41.4
OBT350-R101-EP-IO-0,3M-V3	With background suppression	350	Red LED	Potentiometer	1 x push-pull	Fixed cable with M8 plug	33.8
OBT350-R101-EP-IO-0,3M-V3-1T	With background evaluation	350	Red LED	Potentiometer	1 x push-pull	Fixed cable with M8 plug	33.8
OBT350-R101-EP-IO-V3	With background suppression	350	Red LED	Potentiometer	1 x push-pull	M8 connector plug	41.4
OBT350-R101-EP-IO-V3-1T	With background evaluation	350	Red LED	Potentiometer	1 x push-pull	M8 connector plug	41.4
OBD1000-R101-2EP-IO	Energetic	1000	Red LED	Potentiometer	2 x push-pull	Fixed cable	33.8
OBD1000-R101-2EP-IO-0,3M-V1	Energetic	1000	Red LED	Potentiometer	2 x push-pull	Fixed cable with M12 plug	33.8
OBD1000-R101-2EP-IO-0,3M-V31	Energetic	1000	Red LED	Potentiometer	2 x push-pull	Fixed cable with M8 plug	33.8
OBD1000-R101-2EP-IO-V31	Energetic	1000	Red LED	Potentiometer	2 x push-pull	M8 connector plug	41.4
OBD1000-R101-EP-IO-0,3M-V3	Energetic	1000	Red LED	Potentiometer	1 x push-pull	Fixed cable with M8 plug	33.8
OBD1000-R101-EP-IO-V3	Energetic	1000	Red LED	Potentiometer	1 x push-pull	M8 connector plug	41.4
OBD1100-R101-2EP-IO-IR	Energetic	1100	Infrared LED	Potentiometer	2 x push-pull	Fixed cable	33.8
OBD1100-R101-2EP-IO-V31-IR	Energetic	1100	Infrared LED	Potentiometer	2 x push-pull	M8 connector plug	41.4



Accessories

IO-Link-Master02-USB	IO-Link master, supply via USB port or separate power supply, LED indicators, M12 plug for sensor connection
OMH-4.1	Mounting clamp
OMH-R101	Mounting clamp
OMH-R101-Front	Mounting clamp
V1-W-2M-PUR	Single-ended female cordset, M12, 4-pin, PUR cable
V3-GM-2M-PUR	Single-ended female cordset, M8, 3-pin, PUR cable
V3-WM-2M-PUR	Single-ended female cordset, M8, 3-pin, PUR cable
V31-GM-2M-PUR	Single-ended female cordset, M8, 4-pin, PUR cable
V31-WM-2M-PUR	Single-ended female cordset, M8, 4-pin, PUR cable

R102 Series Thru-Beam Sensors

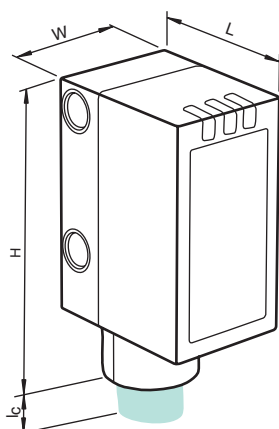


Standard Technical Data

Function principle	Thru-beam sensor
Interface	IO-Link
Operating elements	Potentiometer
Voltage type	DC
Operating voltage (min)	10 V
Operating voltage (max)	30 V
Housing length L	18.3 mm
Housing width W	13.9 mm
Housing height H	33.8 mm
UL	■

For detailed data and description, see the datasheet. Further products can be found online at www.pepperl-fuchs.com.

Model number	Detection range [mm]	Light type	Output type	Connection type
OBE12M-R102-S2EP-IO	12000	Red LED	2 x push-pull	Fixed cable
OBE12M-R102-S2EP-IO-V31	12000	Red LED	2 x push-pull	M8 connector plug
OBE12M-R102-SEP-IO-V31	12000	Red LED	1 x push-pull	M8 connector plug
OBE20M-R102-S2EP-IO-V31-L	20000	Red laser diode	2 x push-pull	M8 connector plug



Accessories

OMH-4.1	Mounting clamp
OMH-R101	Mounting clamp
OMH-R101-Front	Mounting clamp
V31-WM-2M-PUR	Single-ended female cordset, M8, 4-pin, PUR cable

R102 Series Retroreflective Sensors

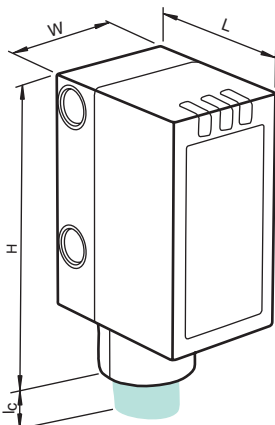


Standard Technical Data

Function principle	Retroreflective sensor for clear object detection
Detection range	3500 mm
Light type	Red LED
Interface	IO-Link
Operating elements	Potentiometer, push-button
Voltage type	DC
Operating voltage (min)	10 V
Operating voltage (max)	30 V
Connection type	M8 connector plug
Housing length L	18.3 mm
Housing width W	13.9 mm
Housing height H	41.4 mm
UL	■

For detailed data and description, see the datasheet. Further products can be found online at www.pepperl-fuchs.com.

Model number	Output type
OBG5000-R102-2EP-IO-V31	2 x push-pull
OBG5000-R102-2EP1-IO-V31	2 x push-pull
OBG5000-R102-EP-IO-V31	1 x push-pull



Accessories

IO-Link-Master02-USB	IO-Link master, supply via USB port or separate power supply, LED indicators, M12 plug for sensor connection
REF-H33	Reflector with screw fixing
REF-H85-2	Rectangular reflector, 84.5 mm x 84.5 mm, mounting holes
V31-GM-2M-PUR	Single-ended female cordset, M8, 4-pin, PUR cable
V31-WM-2M-PUR	Single-ended female cordset, M8, 4-pin, PUR cable

R102 Series Diffuse Mode Sensors

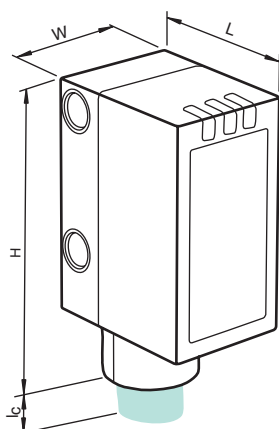


Standard Technical Data

Function principle	Triangulation sensor with background suppression
Voltage type	DC
Operating voltage (min)	10 V
Operating voltage (max)	30 V
Housing length L	18.3 mm
Housing width W	13.9 mm
Housing height H	31.9 mm
UL	■

For detailed data and description, see the datasheet. Further products can be found online at www.pepperl-fuchs.com.

Model number	Detection range [mm]	Light type	Interface	Output type	Connection type
OBT20-R102-2P1-IO	20	Red LED	IO-Link	2 x push-pull	Fixed cable
OBT20-R102-2P1-IO-0,3M-V1	20	Red LED	IO-Link	2 x push-pull	Fixed cable with M12 plug
OBT20-R102-2P1-IO-IR	20	Infrared LED	IO-Link	2 x push-pull	Fixed cable
OBT20-R102-2P1-IO-V31	20	Red LED	IO-Link	2 x push-pull	M8 connector plug
OBT20-R102-2P1-IO-V31-IR	20	Infrared LED	IO-Link	2 x push-pull	M8 connector plug
OBT20-R102-P1-IO-V31	20	Red LED	IO-Link	1 x push-pull	M8 connector plug
OBT40-R102-2P1-IO	40	Red LED	IO-Link	2 x push-pull	Fixed cable
OBT40-R102-2P1-IO-0,3M-V1	40	Red LED	IO-Link	2 x push-pull	Fixed cable with M12 plug
OBT40-R102-2P1-IO-IR	40	Infrared LED	IO-Link	2 x push-pull	Fixed cable
OBT40-R102-2P1-IO-V31	40	Red LED	IO-Link	2 x push-pull	M8 connector plug
OBT40-R102-2P1-IO-V31-IR	40	Infrared LED	IO-Link	2 x push-pull	M8 connector plug
OBT40-R102-A0-V31	40	Red LED		NPN	M8 connector plug
OBT40-R102-P1-IO-V31	40	Red LED	IO-Link	1 x push-pull	M8 connector plug
OBT40-R102-P1-IO-V31-IR	40	Infrared LED	IO-Link	1 x push-pull	M8 connector plug
OBT60-R102-2P1-IO	60	Red LED	IO-Link	2 x push-pull	Fixed cable
OBT60-R102-2P1-IO-0,3M-V1	60	Red LED	IO-Link	2 x push-pull	Fixed cable with M12 plug
OBT60-R102-2P1-IO-V31	60	Red LED	IO-Link	2 x push-pull	M8 connector plug
OBT60-R102-2P1-IO-V31-IR	60	Infrared LED	IO-Link	2 x push-pull	M8 connector plug
OBT60-R102-P1-IO-V31	60	Red LED	IO-Link	1 x push-pull	M8 connector plug
OBT80-R102-2P1-IO	80	Red LED	IO-Link	2 x push-pull	Fixed cable
OBT80-R102-2P1-IO-0,3M-V1	80	Red LED	IO-Link	2 x push-pull	Fixed cable with M12 plug
OBT80-R102-2P1-IO-IR	80	Infrared LED	IO-Link	2 x push-pull	Fixed cable
OBT80-R102-2P1-IO-V31	80	Red LED	IO-Link	2 x push-pull	M8 connector plug
OBT80-R102-2P1-IO-V31-IR	80	Infrared LED	IO-Link	2 x push-pull	M8 connector plug



Accessories

IO-Link-Master02-USB	IO-Link master, supply via USB port or separate power supply, LED indicators, M12 plug for sensor connection
V1-W-2M-PUR	Single-ended female cordset, M12, 4-pin, PUR cable
V31-GM-2M-PUR	Single-ended female cordset, M8, 4-pin, PUR cable
V31-WM-2M-PUR	Single-ended female cordset, M8, 4-pin, PUR cable

R103 Series Thru-Beam Sensors

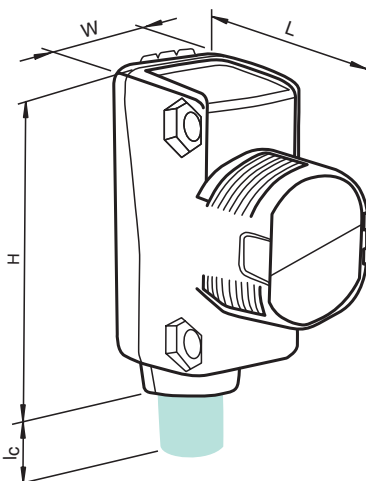


Standard Technical Data

Function principle	Thru-beam sensor
Interface	IO-Link
Operating elements	Potentiometer
Voltage type	DC
Operating voltage (min)	10 V
Operating voltage (max)	30 V
Housing length L	26.7 mm
Housing width W	15 mm
UL	■

For detailed data and description, see the datasheet. Further products can be found online at www.pepperl-fuchs.com.

Model number	Detection range [mm]	Light type	Output type	Connection type	Height H
OBE10M-R103-S2EP-IO	10000	Red LED	2 x push-pull	Fixed cable	36.5
OBE10M-R103-S2EP-IO-0,3M-V1	10000	Red LED	2 x push-pull	Fixed cable with M12 plug	36.5
OBE10M-R103-S2EP-IO-0,3M-V31	10000	Red LED	2 x push-pull	Fixed cable with M8 plug	36.5
OBE10M-R103-S2EP-IO-V31	10000	Red LED	2 x push-pull	M8 connector plug	43.9
OBE10M-R103-SEP-IO-0,3M-V3	10000	Red LED	1 x push-pull	Fixed cable with M8 plug	36.5
OBE10M-R103-SEP-IO-V3	10000	Red LED	1 x push-pull	M8 connector plug	43.9
OBE20M-R103-S2EP-IO-0,3M-V1-L	20000	Red laser diode	2 x push-pull	Fixed cable with M12 plug	36.5
OBE20M-R103-S2EP-IO-0,3M-V31-L	20000	Red laser diode	2 x push-pull	Fixed cable with M8 plug	36.5
OBE20M-R103-S2EP-IO-L	20000	Red laser diode	2 x push-pull	Fixed cable	36.5
OBE20M-R103-S2EP-IO-V31-L	20000	Red laser diode	2 x push-pull	M8 connector plug	43.9
OBE20M-R103-SEP-IO-0,3M-V3-L	20000	Red laser diode	1 x push-pull	Fixed cable with M8 plug	36.5
OBE20M-R103-SEP-IO-V3-L	20000	Red laser diode	1 x push-pull	M8 connector plug	43.9



Accessories

IO-Link-Master02-USB	IO-Link master, supply via USB port or separate power supply, LED indicators, M12 plug for sensor connection
OMH-ML100-03	Mounting aid for circular profile \varnothing 12 mm or flat profile 1.5 mm ... 3 mm
OMH-ML100-031	Mounting aid for circular profile \varnothing 10 mm ... 14 mm or flat profile 1 mm ... 5 mm
OMH-ML100-09	Mounting aid for circular profile \varnothing 12 mm or flat profile 1.5 mm ... 3 mm
OMH-R10X-04	Mounting bracket
OMH-R10X-10	Mounting bracket
V31-GM-2M-PUR	Single-ended female cordset, M8, 4-pin, PUR cable
V31-WM-2M-PUR	Single-ended female cordset, M8, 4-pin, PUR cable

R103 Series Retroreflective Sensors

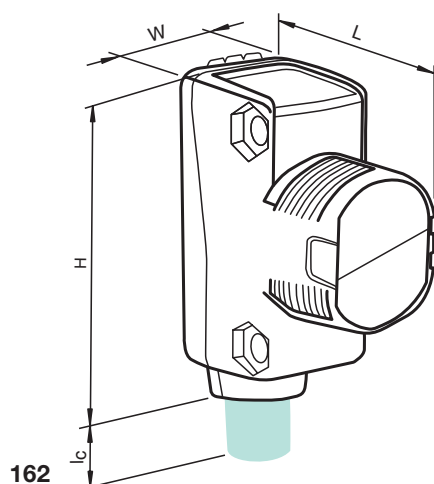


Standard Technical Data

Interface	IO-Link
Voltage type	DC
Operating voltage (min)	10 V
Operating voltage (max)	30 V
Housing length L	26.7 mm
Housing width W	15 mm
UL	■

For detailed data and description, see the datasheet. Further products can be found online at www.pepperl-fuchs.com.

Model number	Function principle	Detection range [mm]	Light type	Operating elements	Output type	Connection type	Height H
OBG4000-R103-2EP-IO	For clear object detection	3500	Red LED	Potentiometer, push-button	2 x push-pull	Fixed cable	36.5
OBG4000-R103-2EP-IO-0,3M-V1	For clear object detection	3500	Red LED	Potentiometer, push-button	2 x push-pull	Fixed cable with M12 plug	36.5
OBG4000-R103-2EP-IO-0,3M-V31	For clear object detection	3500	Red LED	Potentiometer, push-button	2 x push-pull	Fixed cable with M8 plug	36.5
OBG4000-R103-2EP-IO-V31	For clear object detection	3500	Red LED	Potentiometer, push-button	2 x push-pull	M8 connector plug	43.9
OBG4000-R103-EP-IO-0,3M-V3	For clear object detection	3500	Red LED	Potentiometer, push-button	1 x push-pull	Fixed cable with M8 plug	36.5
OBG4000-R103-EP-IO-V3	For clear object detection	3500	Red LED	Potentiometer, push-button	1 x push-pull	M8 connector plug	43.9
OBR6000-R103-EP-IO-V3	With polarization filter	6000	Red LED	Potentiometer	1 x push-pull	M8 connector plug	43.9
OBR6000-R103-2EP-IO	With polarization filter	6000	Red LED	Potentiometer	2 x push-pull	Fixed cable	36.5
OBR6000-R103-2EP-IO-0,3M-V1	With polarization filter	6000	Red LED	Potentiometer	2 x push-pull	Fixed cable with M12 plug	36.5
OBR6000-R103-2EP-IO-0,3M-V31	With polarization filter	6000	Red LED	Potentiometer	2 x push-pull	Fixed cable with M8 plug	36.5
OBR6000-R103-2EP-IO-V31	With polarization filter	6000	Red LED	Potentiometer	2 x push-pull	M8 connector plug	43.9
OBR6000-R103-EP-IO-0,3M-V3	With polarization filter	6000	Red LED	Potentiometer	1 x push-pull	Fixed cable with M8 plug	36.5
OBR12M-R103-2EP-IO-0,3M-V1-L	With polarization filter	12000	Red laser diode	Potentiometer	2 x push-pull	Fixed cable with M12 plug	36.5
OBR12M-R103-2EP-IO-0,3M-V31-L	With polarization filter	12000	Red laser diode	Potentiometer	2 x push-pull	Fixed cable with M8 plug	36.5
OBR12M-R103-2EP-IO-L	With polarization filter	12000	Red laser diode	Potentiometer	2 x push-pull	Fixed cable	36.5
OBR12M-R103-2EP-IO-V31-L	With polarization filter	12000	Red laser diode	Potentiometer	2 x push-pull	M8 connector plug	43.9
OBR12M-R103-EP-IO-0,3M-V3-L	With polarization filter	12000	Red laser diode	Potentiometer	1 x push-pull	Fixed cable with M8 plug	36.5
OBR12M-R103-EP-IO-V3-L	With polarization filter	12000	Red laser diode	Potentiometer	1 x push-pull	M8 connector plug	43.9



Accessories

IO-Link-Master02-USB	IO-Link master, power supply via USB port
OMH-ML100-031	Mounting aid for circular profile \varnothing 10 mm ... 14 mm or flat profile 1 mm ... 5 mm
OMH-ML100-09	Mounting aid for circular profile \varnothing 12 mm or flat profile 1.5 mm ... 3 mm
OMH-R10X-04	Mounting bracket
OMH-R10X-10	Mounting bracket
REF-H33	Reflector with screw fixing
REF-MVR10	Rectangular reflector with microstructure, 60 mm x 19 mm, mounting holes
REF-ORR50G-2	Ambient temperature: 0 °C ... 50 °C (32 °F ... 122 °F)
V3-WM-2M-PUR	Single-ended female cordset, M8, 3-pin, PUR cable
V31-GM-2M-PUR	Single-ended female cordset, M8, 4-pin, PUR cable



R103 Series Diffuse Mode Sensors

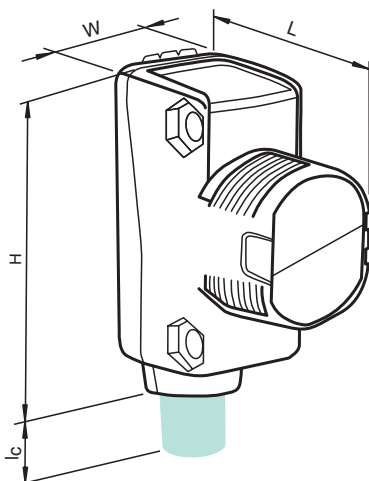


Standard Technical Data	
Interface	IO-Link
Voltage type	DC
Operating voltage (min)	10 V
Operating voltage (max)	30 V
Housing length L	26.7 mm
Housing width W	15 mm
UL	■

For detailed data and description, see the datasheet. Further products can be found online at www.pepperl-fuchs.com.

Model number	Function principle	Detection range [mm]	Light type	Operating elements	Output type	Connection type	Height H
OBT80-R103-2EP-IO-0,3M-V1-1T-L	With background evaluation	80	Red laser diode	Potentiometer	2 x push-pull	Fixed cable with M12 plug	36.5
OBT80-R103-2EP-IO-0,3M-V1-L	With background suppression	80	Red laser diode	Potentiometer	2 x push-pull	Fixed cable with M12 plug	36.5
OBT80-R103-2EP-IO-0,3M-V31-L	With background suppression	80	Red laser diode	Potentiometer	2 x push-pull	Fixed cable with M8 plug	36.5
OBT80-R103-2EP-IO-1T-L	With background evaluation	80	Red laser diode	Potentiometer	2 x push-pull	Fixed cable	36.5
OBT80-R103-2EP-IO-1T-L-Y0351	With background evaluation	80	Red laser diode	Potentiometer	2 x push-pull	Fixed cable with M8 plug	36.5
OBT80-R103-2EP-IO-L	With background suppression	80	Red laser diode	Potentiometer	2 x push-pull	Fixed cable	36.5
OBT80-R103-2EP-IO-V31-1T-L	With background evaluation	80	Red laser diode	Potentiometer	2 x push-pull	M8 connector plug	43.9
OBT80-R103-2EP-IO-V31-L	With background suppression	80	Red laser diode	Potentiometer	2 x push-pull	M8 connector plug	43.9
OBT80-R103-EP-IO-0,3M-V3-1T-L	With background evaluation	80	Red laser diode	Potentiometer	1 x push-pull	Fixed cable with M8 plug	36.5
OBT80-R103-EP-IO-0,3M-V3-L	With background suppression	80	Red laser diode	Potentiometer	1 x push-pull	Fixed cable with M8 plug	36.5
OBT80-R103-EP-IO-V3-1T-L	With background evaluation	80	Red laser diode	Potentiometer	1 x push-pull	M8 connector plug	43.9
OBT80-R103-EP-IO-V3-L	With background suppression	80	Red laser diode	Potentiometer	1 x push-pull	M8 connector plug	43.9
OQT120-R103-2EP-IO	With multiple switch points	120	Red LED	Potentiometer, push-button	2 x push-pull	Fixed cable	36.5
OQT120-R103-2EP-IO-0,3M-V1	With multiple switch points	120	Red LED	Potentiometer, push-button	2 x push-pull	Fixed cable with M12 plug	36.5
OQT120-R103-2EP-IO-0,3M-V1-L	With multiple switch points	120	Red laser diode	Potentiometer, push-button	2 x push-pull	Fixed cable with M12 plug	36.5
OQT120-R103-2EP-IO-0,3M-V31	With multiple switch points	120	Red LED	Potentiometer, push-button	2 x push-pull	Fixed cable with M8 plug	36.5
OQT120-R103-2EP-IO-0,3M-V31-L	With multiple switch points	120	Red laser diode	Potentiometer, push-button	2 x push-pull	Fixed cable with M8 plug	36.5
OQT120-R103-2EP-IO-L	With multiple switch points	120	Red laser diode	Potentiometer, push-button	2 x push-pull	Fixed cable	36.5
OQT120-R103-2EP-IO-V31	With multiple switch points	120	Red LED	Potentiometer, push-button	2 x push-pull	M8 connector plug	43.9
OQT120-R103-2EP-IO-V31-L	With multiple switch points	120	Red laser diode	Potentiometer, push-button	2 x push-pull	M8 connector plug	43.9
OQT120-R103-EP-IO-0,3M-V3	With multiple switch points	120	Red LED	Potentiometer, push-button	1 x push-pull	Fixed cable with M8 plug	36.5
OQT120-R103-EP-IO-0,3M-V3-L	With multiple switch points	120	Red laser diode	Potentiometer, push-button	1 x push-pull	Fixed cable with M8 plug	36.5
OQT120-R103-EP-IO-V3	With multiple switch points	120	Red LED	Potentiometer, push-button	1 x push-pull	M8 connector plug	43.9
OQT120-R103-EP-IO-V3-L	With multiple switch points	120	Red laser diode	Potentiometer, push-button	1 x push-pull	M8 connector plug	43.9
OBT250-R103-2EP-IO-0,3M-V1-L	With background suppression	250	Red laser diode	Potentiometer	2 x push-pull	Fixed cable with M12 plug	36.5
OBT250-R103-2EP-IO-0,3M-V31-L	With background suppression	250	Red laser diode	Potentiometer	2 x push-pull	Fixed cable with M8 plug	36.5
OBT250-R103-2EP-IO-1T-L	With background evaluation	250	Red laser diode	Potentiometer	2 x push-pull	Fixed cable	36.5
OBT250-R103-2EP-IO-1T-L-Y0329	With background evaluation	250	Red laser diode	Potentiometer	2 x push-pull	Fixed cable with M8 plug	36.5
OBT250-R103-2EP-IO-1T-L-Y0330	With background evaluation	250	Red laser diode	Potentiometer	2 x push-pull	Fixed cable with M12 plug	36.5
OBT250-R103-2EP-IO-L	With background suppression	250	Red laser diode	Potentiometer	2 x push-pull	Fixed cable	36.5
OBT250-R103-2EP-IO-V31-1T-L	With background evaluation	250	Red laser diode	Potentiometer	2 x push-pull	M8 connector plug	43.9
OBT250-R103-2EP-IO-V31-L	With background suppression	250	Red laser diode	Potentiometer	2 x push-pull	M8 connector plug	43.9

Model number	Function principle	Detection range [mm]	Light type	Operating elements	Output type	Connection type	Height H
OBT250-R103-EP-IO-0,3M-V3-1T-L	With background evaluation	250	Red laser diode	Potentiometer	1 x push-pull	Fixed cable with M8 plug	36.5
OBT250-R103-EP-IO-0,3M-V3-L	With background suppression	250	Red laser diode	Potentiometer	1 x push-pull	Fixed cable with M8 plug	36.5
OBT250-R103-EP-IO-V3-1T-L	With background evaluation	250	Red laser diode	Potentiometer	1 x push-pull	M8 connector plug	43.9
OBT250-R103-EP-IO-V3-L	With background suppression	250	Red laser diode	Potentiometer	1 x push-pull	M8 connector plug	43.9
OBT300-R103-2EP-IO	With background suppression	300	Red LED	Potentiometer	2 x push-pull	Fixed cable	36.5
OBT300-R103-2EP-IO-0,3M-V1	With background suppression	300	Red LED	Potentiometer	2 x push-pull	Fixed cable with M12 plug	36.5
OBT300-R103-2EP-IO-0,3M-V1-1T	With background evaluation	300	Red LED	Potentiometer	2 x push-pull	Fixed cable with M12 plug	36.5
OBT300-R103-2EP-IO-0,3M-V31	With background suppression	300	Red LED	Potentiometer	2 x push-pull	Fixed cable with M8 plug	36.5
OBT300-R103-2EP-IO-0,3M-V31-1T	With background evaluation	300	Red LED	Potentiometer	2 x push-pull	Fixed cable with M8 plug	36.5
OBT300-R103-2EP-IO-1T	With background evaluation	300	Red LED	Potentiometer	2 x push-pull	Fixed cable	36.5
OBT300-R103-2EP-IO-V31	With background suppression	300	Red LED	Potentiometer	2 x push-pull	M8 connector plug	43.9
OBT300-R103-2EP-IO-V31-1T	With background evaluation	300	Red LED	Potentiometer	2 x push-pull	M8 connector plug	43.9
OBT300-R103-2EP1-IO-0,3M-V1	With background suppression	300	Red LED	Potentiometer	2 x push-pull	Fixed cable with M12 plug	36.5
OBT300-R103-EP-IO-0,3M-V3	With background suppression	300	Red LED	Potentiometer	1 x push-pull	Fixed cable with M8 plug	36.5
OBT300-R103-EP-IO-0,3M-V3-1T	With background evaluation	300	Red LED	Potentiometer	1 x push-pull	Fixed cable with M8 plug	36.5
OBT300-R103-EP-IO-V3	With background suppression	300	Red LED	Potentiometer	1 x push-pull	M8 connector plug	43.9
OBT300-R103-EP-IO-V3-1T	With background evaluation	300	Red LED	Potentiometer	1 x push-pull	M8 connector plug	43.9
OBD800-R103-2EP-IO	Energetic	800	Red LED	Potentiometer	2 x push-pull	Fixed cable	36.5
OBD800-R103-2EP-IO-0,3M-V1	Energetic	800	Red LED	Potentiometer	2 x push-pull	Fixed cable with M12 plug	36.5
OBD800-R103-2EP-IO-0,3M-V31	Energetic	800	Red LED	Potentiometer	2 x push-pull	Fixed cable with M8 plug	36.5
OBD800-R103-2EP-IO-V31	Energetic	800	Red LED	Potentiometer	2 x push-pull	M8 connector plug	43.9
OBD800-R103-EP-IO-0,3M-V3	Energetic	800	Red LED	Potentiometer	1 x push-pull	Fixed cable with M8 plug	36.5
OBD800-R103-EP-IO-V3	Energetic	800	Red LED	Potentiometer	1 x push-pull	M8 connector plug	43.9



Accessories

IO-Link-Master02-USB	IO-Link master, power supply via USB port
OMH-ML100-03	Mounting aid for circular profile \varnothing 12 mm or flat profile 1.5 mm ... 3 mm
OMH-ML100-031	Mounting aid for circular profile \varnothing 10 mm ... 14 mm or flat profile 1 mm ... 5 mm
OMH-ML100-09	Mounting aid for circular profile \varnothing 12 mm or flat profile 1.5 mm ... 3 mm
OMH-R103-01	Mounting bracket
OMH-R10X-01	Mounting bracket
OMH-R10X-04	Mounting bracket
OMH-R10X-10	Mounting bracket
REF-H50	Rectangular reflector, 51 mm x 61 mm, mounting holes, retaining tab
V1-G-2M-PUR	Single-ended female cordset, M12, 4-pin, PUR cable

R200 Series Thru-Beam Sensors

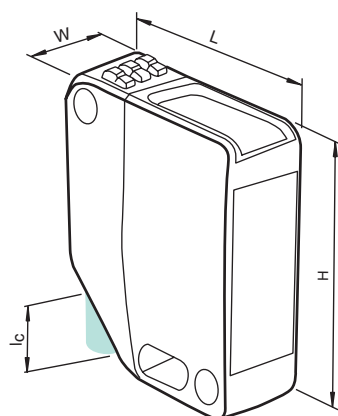


Standard Technical Data

Function principle	Thru-beam sensor
Interface	IO-Link
Operating elements	Potentiometer
Voltage type	DC
Operating voltage (min)	10 V
Operating voltage (max)	30 V
Housing length L	41.7 mm
Housing width W	15 mm
Housing height H	50.6 mm
UL	■

For detailed data and description, see the datasheet. Further products can be found online at www.pepperl-fuchs.com.

Model number	Detection range [mm]	Light type	Output type	Connection type
OBE25M-R200-S2EP-IO	25000	Red LED	2 x push-pull	Fixed cable
OBE25M-R200-S2EP-IO-0,3M-V1	25000	Red LED	2 x push-pull	Fixed cable with M12 plug
OBE25M-R200-S2EP-IO-0,3M-V31	25000	Red LED	2 x push-pull	Fixed cable with M8 plug
OBE25M-R200-S2EP-IO-V1	25000	Red LED	2 x push-pull	M12 connector plug
OBE25M-R200-S2EP-IO-V31	25000	Red LED	2 x push-pull	M8 connector plug
OBE25M-R200-SEP-IO-0,3M-V3	25000	Red LED	1 x push-pull	Fixed cable with M8 plug
OBE25M-R200-SEP-IO-V3	25000	Red LED	1 x push-pull	M8 connector plug
OBE40M-R200-S2EP-IO-0,3M-V1-L	40000	Red laser diode	2 x push-pull	Fixed cable with M12 plug
OBE40M-R200-S2EP-IO-0,3M-V31-L	40000	Red laser diode	2 x push-pull	Fixed cable with M8 plug
OBE40M-R200-S2EP-IO-L	40000	Red laser diode	2 x push-pull	Fixed cable
OBE40M-R200-S2EP-IO-V1-L	40000	Red laser diode	2 x push-pull	M12 connector plug
OBE40M-R200-S2EP-IO-V31-L	40000	Red laser diode	2 x push-pull	M8 connector plug
OBE40M-R200-SEP-IO-0,3M-V3-L	40000	Red laser diode	1 x push-pull	Fixed cable with M8 plug
OBE40M-R200-SEP-IO-V3-L	40000	Red laser diode	1 x push-pull	M8 connector plug



Accessories

IO-Link-Master02-USB	IO-Link master, supply via USB port or separate power supply, LED indicators, M12 plug for sensor connection
OMH-MLV12-HWG	Mounting bracket for MLV12 series sensors
OMH-MLV12-HWK	Mounting bracket for MLV12 series sensors
OMH-R200-01	Mounting aid for circular profile \varnothing 12 mm or flat profile 1.5 mm ... 3 mm
OMH-R20x-Quick-Mount	Quick-mounting aid
V3-GM-2M-PUR	Single-ended female cordset, M8, 3-pin, PUR cable
V3-WM-2M-PUR	Single-ended female cordset, M8, 3-pin, PUR cable
V31-GM-2M-PUR	Single-ended female cordset, M8, 4-pin, PUR cable

R200 Series

Retroreflective Sensors

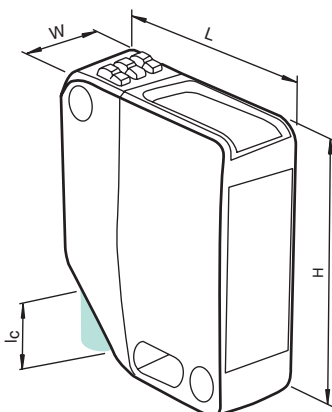


Standard Technical Data

Interface	IO-Link
Voltage type	DC
Operating voltage (min)	10 V
Operating voltage (max)	30 V
Housing length L	41.7 mm
Housing width W	15 mm
Housing height H	50.6 mm
UL	■

For detailed data and description, see the datasheet. Further products can be found online at www.pepperl-fuchs.com.

Model number	Function principle	Detection range [mm]	Light type	Operating elements	Output type	Connection type
OBG8000-R200-EP-IO-V3	For clear object detection	5600	Red LED	Potentiometer, push-button	1 x push-pull	M8 connector plug
OBG8000-R200-2EP-IO	For clear object detection	5600	Red LED	Potentiometer, push-button	2 x push-pull	Fixed cable
OBG8000-R200-2EP-IO-0,3M-V1	For clear object detection	5600	Red LED	Potentiometer, push-button	2 x push-pull	Fixed cable with M12 plug
OBG8000-R200-2EP-IO-0,3M-V15	For clear object detection	5600	Red LED	Potentiometer, push-button	2 x push-pull	Fixed cable with M12 plug
OBG8000-R200-2EP-IO-0,3M-V31	For clear object detection	5600	Red LED	Potentiometer, push-button	2 x push-pull	Fixed cable with M8 plug
OBG8000-R200-2EP-IO-V1	For clear object detection	5600	Red LED	Potentiometer, push-button	2 x push-pull	M12 connector plug
OBG8000-R200-2EP-IO-V15	For clear object detection	5600	Red LED	Potentiometer, push-button	2 x push-pull	M12 connector plug
OBG8000-R200-2EP-IO-V31	For clear object detection	5600	Red LED	Potentiometer, push-button	2 x push-pull	M8 connector plug
OBG8000-R200-EP-IO-0,3M-V3	For clear object detection	5600	Red LED	Potentiometer, push-button	1 x push-pull	Fixed cable with M8 plug
OBR15M-R200-2EP-IO	With polarization filter	15000	Red LED	Potentiometer	2 x push-pull	Fixed cable
OBR15M-R200-2EP-IO-0,3M-V1	With polarization filter	15000	Red LED	Potentiometer	2 x push-pull	Fixed cable with M12 plug
OBR15M-R200-2EP-IO-0,3M-V15	With polarization filter	15000	Red LED	Potentiometer	2 x push-pull	Fixed cable with M12 plug
OBR15M-R200-2EP-IO-0,3M-V31	With polarization filter	15000	Red LED	Potentiometer	2 x push-pull	Fixed cable with M8 plug
OBR15M-R200-2EP-IO-V1	With polarization filter	15000	Red LED	Potentiometer	2 x push-pull	M12 connector plug
OBR15M-R200-2EP-IO-V15	With polarization filter	15000	Red LED	Potentiometer	2 x push-pull	M12 connector plug
OBR15M-R200-2EP-IO-V31	With polarization filter	15000	Red LED	Potentiometer	2 x push-pull	M8 connector plug
OBR15M-R200-EP-IO-0,3M-V3	With polarization filter	15000	Red LED	Potentiometer	1 x push-pull	Fixed cable with M8 plug
OBR15M-R200-EP-IO-V3	With polarization filter	15000	Red LED	Potentiometer	1 x push-pull	M8 connector plug
OBR25M-R200-2EP-IO-0,3M-V1-L	With polarization filter	25000	Red laser diode	Potentiometer	2 x push-pull	Fixed cable with M12 plug
OBR25M-R200-2EP-IO-0,3M-V15-L	With polarization filter	25000	Red laser diode	Potentiometer	2 x push-pull	Fixed cable with M12 plug
OBR25M-R200-2EP-IO-0,3M-V31-L	With polarization filter	25000	Red laser diode	Potentiometer	2 x push-pull	Fixed cable with M8 plug
OBR25M-R200-2EP-IO-L	With polarization filter	25000	Red laser diode	Potentiometer	2 x push-pull	Fixed cable
OBR25M-R200-2EP-IO-V1-L	With polarization filter	25000	Red laser diode	Potentiometer	2 x push-pull	M12 connector plug
OBR25M-R200-2EP-IO-V15-L	With polarization filter	25000	Red laser diode	Potentiometer	2 x push-pull	M12 connector plug
OBR25M-R200-2EP-IO-V31-L	With polarization filter	25000	Red laser diode	Potentiometer	2 x push-pull	M8 connector plug
OBR25M-R200-A5-IO-V1-L	With polarization filter	25000	Red laser diode	Potentiometer	PNP	M12 connector plug
OBR25M-R200-EP-IO-0,3M-V3-L	With polarization filter	25000	Red laser diode	Potentiometer	1 x push-pull	Fixed cable with M8 plug
OBR25M-R200-EP-IO-V3-L	With polarization filter	25000	Red laser diode	Potentiometer	1 x push-pull	M8 connector plug



Accessories

IO-Link-Master02-USB	IO-Link master, power supply via USB port
OMH-MLV12-HWG	Mounting bracket for MLV12 series sensors
OMH-MLV12-HWK	Mounting bracket for MLV12 series sensors
OMH-R200-01	Mounting aid for circular profile \varnothing 12 mm or flat profile
OMH-R20x-Quick-Mount	Quick-mounting aid
REF-C110-2	Round reflector \varnothing 84 mm, mounting hole in center
REF-H32G-2	Ambient temperature: -20 °C ... 60 °C (-4 °F ... 140 °F)
REF-H85-2	Rectangular reflector, 84.5 mm x 84.5 mm
REF-MH20	Rectangular reflector with microstructure, 32 mm x 20 mm, mounting holes

R200 Series Diffuse Mode Sensors

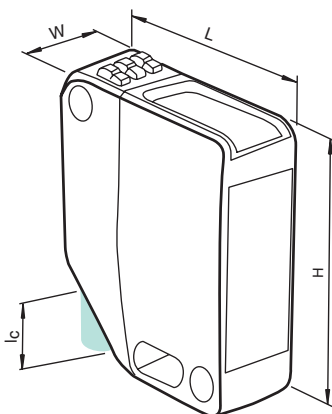


Standard Technical Data	
Interface	IO-Link
Voltage type	DC
Operating voltage (min)	10 V
Operating voltage (max)	30 V
Housing length L	41.7 mm
Housing width W	15 mm
Housing height H	50.6 mm
UL	■

For detailed data and description, see the datasheet. Further products can be found online at www.pepperl-fuchs.com.

Model number	Function principle	Detection range [mm]	Light type	Operating elements	Output type	Connection type
OBT300-R200-2EP-IO	With background suppression	300	Red LED	Potentiometer	2 x push-pull	Fixed cable
OBT300-R200-2EP-IO-0,3M-V1	With background suppression	300	Red LED	Potentiometer	2 x push-pull	Fixed cable with M12 plug
OBT300-R200-2EP-IO-0,3M-V1-1T	With background evaluation	300	Red LED	Potentiometer	2 x push-pull	Fixed cable with M12 plug
OBT300-R200-2EP-IO-0,3M-V31	With background suppression	300	Red LED	Potentiometer	2 x push-pull	Fixed cable with M8 plug
OBT300-R200-2EP-IO-0,3M-V31-1T	With background evaluation	300	Red LED	Potentiometer	2 x push-pull	Fixed cable with M8 plug
OBT300-R200-2EP-IO-1T	With background evaluation	300	Red LED	Potentiometer	2 x push-pull	Fixed cable
OBT300-R200-2EP-IO-V1	With background suppression	300	Red LED	Potentiometer	2 x push-pull	M12 connector plug
OBT300-R200-2EP-IO-V1-1T	With background evaluation	300	Red LED	Potentiometer	2 x push-pull	M12 connector plug
OBT300-R200-2EP-IO-V31	With background suppression	300	Red LED	Potentiometer	2 x push-pull	M8 connector plug
OBT300-R200-2EP-IO-V31-1T	With background evaluation	300	Red LED	Potentiometer	2 x push-pull	M8 connector plug
OBT300-R200-EP-IO-0,3M-V3	With background suppression	300	Red LED	Potentiometer	1 x push-pull	Fixed cable with M8 plug
OBT300-R200-EP-IO-0,3M-V3-1T	With background evaluation	300	Red LED	Potentiometer	1 x push-pull	Fixed cable with M8 plug
OBT300-R200-EP-IO-V3	With background suppression	300	Red LED	Potentiometer	1 x push-pull	M8 connector plug
OBT300-R200-EP-IO-V3-1T	With background evaluation	300	Red LED	Potentiometer	1 x push-pull	M8 connector plug
OQT350-R200-2EP-IO-0,3M-V1-L	With multiple switch points	350	Red laser diode	Potentiometer, push-button	2 x push-pull	Fixed cable with M12 plug
OQT350-R200-2EP-IO-0,3M-V31-L	With multiple switch points	350	Red laser diode	Potentiometer, push-button	2 x push-pull	Fixed cable with M8 plug
OQT350-R200-2EP-IO-L	With multiple switch points	350	Red laser diode	Potentiometer, push-button	2 x push-pull	Fixed cable
OQT350-R200-2EP-IO-V1-L	With multiple switch points	350	Red laser diode	Potentiometer, push-button	2 x push-pull	M12 connector plug
OQT350-R200-2EP-IO-V31-L	With multiple switch points	350	Red laser diode	Potentiometer, push-button	2 x push-pull	M8 connector plug
OQT350-R200-EP-IO-0,3M-V3-L	With multiple switch points	350	Red laser diode	Potentiometer, push-button	1 x push-pull	Fixed cable with M8 plug
OQT350-R200-EP-IO-V3-L	With multiple switch points	350	Red laser diode	Potentiometer, push-button	1 x push-pull	M8 connector plug
OQT400-R200-EP-IO-V3	With multiple switch points	400	Red LED	Potentiometer, push-button	1 x push-pull	M8 connector plug
OQT400-R200-2EP-IO	With multiple switch points	400	Red LED	Potentiometer, push-button	2 x push-pull	Fixed cable
OQT400-R200-2EP-IO-0,3M-V1	With multiple switch points	400	Red LED	Potentiometer, push-button	2 x push-pull	Fixed cable with M12 plug
OQT400-R200-2EP-IO-0,3M-V31	With multiple switch points	400	Red LED	Potentiometer, push-button	2 x push-pull	Fixed cable with M8 plug
OQT400-R200-2EP-IO-V1	With multiple switch points	400	Red LED	Potentiometer, push-button	2 x push-pull	M12 connector plug
OQT400-R200-2EP-IO-V31	With multiple switch points	400	Red LED	Potentiometer, push-button	2 x push-pull	M8 connector plug
OQT400-R200-EP-IO-0,3M-V3	With multiple switch points	400	Red LED	Potentiometer, push-button	1 x push-pull	Fixed cable with M8 plug
OBT600-R200-2EP-IO-0,3M-V1-L	With background suppression	600	Red laser diode	Potentiometer	2 x push-pull	Fixed cable with M12 plug
OBT600-R200-2EP-IO-0,3M-V31-L	With background suppression	600	Red laser diode	Potentiometer	2 x push-pull	Fixed cable with M8 plug
OBT600-R200-2EP-IO-1T-L	With background evaluation	600	Red laser diode	Potentiometer	2 x push-pull	Fixed cable
OBT600-R200-2EP-IO-1T-L-Y0233	With background evaluation	600	Red laser diode	Potentiometer	2 x push-pull	Fixed cable with M8 plug
OBT600-R200-2EP-IO-1T-L-Y0236	With background evaluation	600	Red laser diode	Potentiometer	2 x push-pull	Fixed cable with M12 plug
OBT600-R200-2EP-IO-L	With background suppression	600	Red laser diode	Potentiometer	2 x push-pull	Fixed cable
OBT600-R200-2EP-IO-V1-1T-L	With background evaluation	600	Red laser diode	Potentiometer	2 x push-pull	M12 connector plug
OBT600-R200-2EP-IO-V1-L	With background suppression	600	Red laser diode	Potentiometer	2 x push-pull	M12 connector plug
OBT600-R200-2EP-IO-V31-1T-L	With background evaluation	600	Red laser diode	Potentiometer	2 x push-pull	M8 connector plug
OBT600-R200-2EP-IO-V31-L	With background suppression	600	Red laser diode	Potentiometer	2 x push-pull	M8 connector plug
OBT600-R200-EP-IO-0,3M-V3-1T-L	With background evaluation	600	Red laser diode	Potentiometer	1 x push-pull	Fixed cable with M8 plug
OBT600-R200-EP-IO-0,3M-V3-L	With background suppression	600	Red laser diode	Potentiometer	1 x push-pull	Fixed cable with M8 plug

Model number	Function principle	Detection range [mm]	Light type	Operating elements	Output type	Connection type
OBT600-R200-EP-IO-V3-1T-L	With background evaluation	600	Red laser diode	Potentiometer	1 x push-pull	M8 connector plug
OBT600-R200-EP-IO-V3-L	With background suppression	600	Red laser diode	Potentiometer	1 x push-pull	M8 connector plug
OBT650-R200-2EP-IO	With background suppression	650	Red LED	Potentiometer	2 x push-pull	Fixed cable
OBT650-R200-2EP-IO-0,3M-V1	With background suppression	650	Red LED	Potentiometer	2 x push-pull	Fixed cable with M12 plug
OBT650-R200-2EP-IO-0,3M-V1-1T	With background evaluation	650	Red LED	Potentiometer	2 x push-pull	Fixed cable with M12 plug
OBT650-R200-2EP-IO-0,3M-V31	With background suppression	650	Red LED	Potentiometer	2 x push-pull	Fixed cable with M8 plug
OBT650-R200-2EP-IO-0,3M-V31-1T	With background evaluation	650	Red LED	Potentiometer	2 x push-pull	Fixed cable with M8 plug
OBT650-R200-2EP-IO-1T	With background evaluation	650	Red LED	Potentiometer	2 x push-pull	Fixed cable
OBT650-R200-2EP-IO-V1	With background suppression	650	Red LED	Potentiometer	2 x push-pull	M12 connector plug
OBT650-R200-2EP-IO-V1-1T	With background evaluation	650	Red LED	Potentiometer	2 x push-pull	M12 connector plug
OBT650-R200-2EP-IO-V31	With background suppression	650	Red LED	Potentiometer	2 x push-pull	M8 connector plug
OBT650-R200-2EP-IO-V31-1T	With background evaluation	650	Red LED	Potentiometer	2 x push-pull	M8 connector plug
OBT650-R200-EP-IO-0,3M-V3	With background suppression	650	Red LED	Potentiometer	1 x push-pull	Fixed cable with M8 plug
OBT650-R200-EP-IO-0,3M-V3-1T	With background evaluation	650	Red LED	Potentiometer	1 x push-pull	Fixed cable with M8 plug
OBT650-R200-EP-IO-V3	With background suppression	650	Red LED	Potentiometer	1 x push-pull	M8 connector plug
OBT650-R200-EP-IO-V3-1T	With background evaluation	650	Red LED	Potentiometer	1 x push-pull	M8 connector plug
OBD1400-R200-2EP-IO	Energetic	1400	Red LED	Potentiometer	2 x push-pull	Fixed cable
OBD1400-R200-2EP-IO-0,3M-V1	Energetic	1400	Red LED	Potentiometer	2 x push-pull	Fixed cable with M12 plug
OBD1400-R200-2EP-IO-0,3M-V31	Energetic	1400	Red LED	Potentiometer	2 x push-pull	Fixed cable with M8 plug
OBD1400-R200-2EP-IO-V1	Energetic	1400	Red LED	Potentiometer	2 x push-pull	M12 connector plug
OBD1400-R200-2EP-IO-V31	Energetic	1400	Red LED	Potentiometer	2 x push-pull	M8 connector plug
OBD1400-R200-EP-IO-0,3M-V3	Energetic	1400	Red LED	Potentiometer	1 x push-pull	Fixed cable with M8 plug
OBD1400-R200-EP-IO-V3	Energetic	1400	Red LED	Potentiometer	1 x push-pull	M8 connector plug



Accessories

IO-Link-Master02-USB	IO-Link master, supply via USB port or separate power supply, LED indicators, M12 plug for sensor connection
OMH-MLV12-HWG	Mounting bracket for MLV12 series sensors
OMH-MLV12-HWK	Mounting bracket for MLV12 series sensors
OMH-R200-01	Mounting aid for circular profile \varnothing 12 mm or flat profile 1.5 mm ... 3 mm
OMH-R20x-Quick-Mount	Quick-mounting aid
V1-G-2M-PUR	Single-ended female cordset, M12, 4-pin, PUR cable
V1-W-2M-PUR	Single-ended female cordset, M12, 4-pin, PUR cable
V3-GM-2M-PUR	Single-ended female cordset, M8, 3-pin, PUR cable
V3-WM-2M-PUR	Single-ended female cordset, M8, 3-pin, PUR cable
V31-GM-2M-PUR	Single-ended female cordset, M8, 4-pin, PUR cable

R201 Series Thru-Beam Sensors

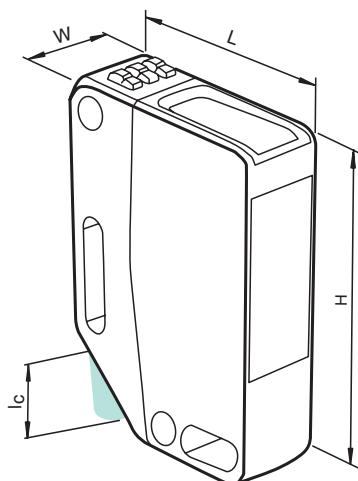


Standard Technical Data

Function principle	Thru-beam sensor
Interface	IO-Link
Operating elements	Potentiometer
Voltage type	DC
Operating voltage (min)	10 V
Operating voltage (max)	30 V
Housing length L	41.7 mm
Housing width W	15 mm
Housing height H	61.7 mm
UL	■

For detailed data and description, see the datasheet. Further products can be found online at www.pepperl-fuchs.com.

Model number	Detection range [mm]	Light type	Output type	Connection type
OBE25M-R201-S2EP-IO	25000	Red LED	2 x push-pull	Fixed cable
OBE25M-R201-S2EP-IO-0,3M-V1	25000	Red LED	2 x push-pull	Fixed cable with M12 plug
OBE25M-R201-S2EP-IO-0,3M-V31	25000	Red LED	2 x push-pull	Fixed cable with M8 plug
OBE25M-R201-S2EP-IO-V1	25000	Red LED	2 x push-pull	M12 connector plug
OBE25M-R201-S2EP-IO-V31	25000	Red LED	2 x push-pull	M8 connector plug
OBE25M-R201-SEP-IO-0,3M-V3	25000	Red LED	1 x push-pull	Fixed cable with M8 plug
OBE25M-R201-SEP-IO-V3	25000	Red LED	1 x push-pull	M8 connector plug
OBE40M-R201-S2EP-IO-0,3M-V1-L	40000	Red laser diode	2 x push-pull	Fixed cable with M12 plug
OBE40M-R201-S2EP-IO-0,3M-V31-L	40000	Red laser diode	2 x push-pull	Fixed cable with M8 plug
OBE40M-R201-S2EP-IO-L	40000	Red laser diode	2 x push-pull	Fixed cable
OBE40M-R201-S2EP-IO-V1-L	40000	Red laser diode	2 x push-pull	M12 connector plug
OBE40M-R201-S2EP-IO-V31-L	40000	Red laser diode	2 x push-pull	M8 connector plug
OBE40M-R201-SEP-IO-0,3M-V3-L	40000	Red laser diode	1 x push-pull	Fixed cable with M8 plug
OBE40M-R201-SEP-IO-V3-L	40000	Red laser diode	1 x push-pull	M8 connector plug



Accessories

OMH-R20x-Quick-Mount	Quick-mounting aid
OMH-RL31-02	Narrow mounting bracket
OMH-RL31-03	Narrow mounting bracket
OMH-RL31-04	Mounting aid for circular profile \varnothing 12 mm or flat profile 1.5 mm ... 3 mm
OMH-RL31-07	Mounting bracket complete with adjustment component
OMH-RL31-08	Mounting aid for circular profile \varnothing 12 mm or flat profile 1.5 mm ... 3 mm
V1-G-2M-PUR	Single-ended female cordset, M12, 4-pin, PUR cable
V31-WM-2M-PUR	Single-ended female cordset, M8, 4-pin, PUR cable

R201 Series

Retroreflective Sensors

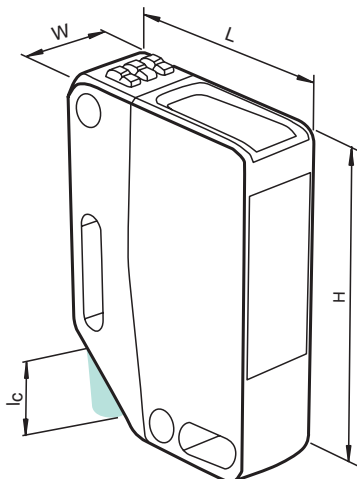


Standard Technical Data

Interface	IO-Link
Voltage type	DC
Operating voltage (min)	10 V
Operating voltage (max)	30 V
Housing length L	41.7 mm
Housing width W	15 mm
Housing height H	61.7 mm
UL	■

For detailed data and description, see the datasheet. Further products can be found online at www.pepperl-fuchs.com.

Model number	Function principle	Detection range [mm]	Light type	Operating elements	Output type	Connection type
OBG8000-R201-2EP-IO	For clear object detection	5600	Red LED	Potentiometer, push-button	2 x push-pull	Fixed cable
OBG8000-R201-2EP-IO-0,3M-V1	For clear object detection	5600	Red LED	Potentiometer, push-button	2 x push-pull	Fixed cable with M12 plug
OBG8000-R201-2EP-IO-0,3M-V15	For clear object detection	5600	Red LED	Potentiometer, push-button	2 x push-pull	Fixed cable with M12 plug
OBG8000-R201-2EP-IO-0,3M-V31	For clear object detection	5600	Red LED	Potentiometer, push-button	2 x push-pull	Fixed cable with M8 plug
OBG8000-R201-2EP-IO-V1	For clear object detection	5600	Red LED	Potentiometer, push-button	2 x push-pull	M12 connector plug
OBG8000-R201-2EP-IO-V15	For clear object detection	5600	Red LED	Potentiometer, push-button	2 x push-pull	M12 connector plug
OBG8000-R201-2EP-IO-V31	For clear object detection	5600	Red LED	Potentiometer, push-button	2 x push-pull	M8 connector plug
OBG8000-R201-EP-IO-0,3M-V3	For clear object detection	5600	Red LED	Potentiometer, push-button	1 x push-pull	Fixed cable with M8 plug
OBG8000-R201-EP-IO-V3	For clear object detection	5600	Red LED	Potentiometer, push-button	1 x push-pull	M8 connector plug
OBR15M-R201-2EP-IO	With polarization filter	15000	Red LED	Potentiometer	2 x push-pull	Fixed cable
OBR15M-R201-2EP-IO-0,3M-V1	With polarization filter	15000	Red LED	Potentiometer	2 x push-pull	Fixed cable with M12 plug
OBR15M-R201-2EP-IO-0,3M-V15	With polarization filter	15000	Red LED	Potentiometer	2 x push-pull	Fixed cable with M12 plug
OBR15M-R201-2EP-IO-0,3M-V31	With polarization filter	15000	Red LED	Potentiometer	2 x push-pull	Fixed cable with M8 plug
OBR15M-R201-2EP-IO-V1	With polarization filter	15000	Red LED	Potentiometer	2 x push-pull	M12 connector plug
OBR15M-R201-2EP-IO-V15	With polarization filter	15000	Red LED	Potentiometer	2 x push-pull	M12 connector plug
OBR15M-R201-2EP-IO-V31	With polarization filter	15000	Red LED	Potentiometer	2 x push-pull	M8 connector plug
OBR15M-R201-EP-IO-0,3M-V3	With polarization filter	15000	Red LED	Potentiometer	1 x push-pull	Fixed cable with M8 plug
OBR15M-R201-EP-IO-V3	With polarization filter	15000	Red LED	Potentiometer	1 x push-pull	M8 connector plug
OBR25M-R201-2EP-IO-0,3M-V1-L	With polarization filter	25000	Red laser diode	Potentiometer	2 x push-pull	Fixed cable with M12 plug
OBR25M-R201-2EP-IO-0,3M-V15-L	With polarization filter	25000	Red laser diode	Potentiometer	2 x push-pull	Fixed cable with M12 plug
OBR25M-R201-2EP-IO-0,3M-V31-L	With polarization filter	25000	Red laser diode	Potentiometer	2 x push-pull	Fixed cable with M8 plug
OBR25M-R201-2EP-IO-L	With polarization filter	25000	Red laser diode	Potentiometer	2 x push-pull	Fixed cable
OBR25M-R201-2EP-IO-V1-L	With polarization filter	25000	Red laser diode	Potentiometer	2 x push-pull	M12 connector plug
OBR25M-R201-2EP-IO-V15-L	With polarization filter	25000	Red laser diode	Potentiometer	2 x push-pull	M12 connector plug
OBR25M-R201-2EP-IO-V31-L	With polarization filter	25000	Red laser diode	Potentiometer	2 x push-pull	M8 connector plug
OBR25M-R201-EP-IO-0,3M-V3-L	With polarization filter	25000	Red laser diode	Potentiometer	1 x push-pull	Fixed cable with M8 plug
OBR25M-R201-EP-IO-V3-L	With polarization filter	25000	Red laser diode	Potentiometer	1 x push-pull	M8 connector plug



Accessories

FE-RR1	Round reflector \varnothing 80.87 mm, mounting hole
IO-Link-Master02-USB	IO-Link master, power supply via USB port
OFR-100/100	Optical reflective film, 100 mm x 100 mm
OMH-R20x-Quick-Mount	Quick-mounting aid
OMH-RL31-03	Narrow mounting bracket
OMH-RL31-04	Mounting aid for circular profile \varnothing 12 mm or flat profile 1.5 mm ... 3 mm
OMH-RL31-07	Mounting bracket complete with adjustment component
OMH-RL31-08	Mounting aid for circular profile \varnothing 12 mm or flat profile 1.5 mm ... 3 mm
REF-C110-2	Round reflector \varnothing 84 mm, mounting hole in center
REF-H32G-2	Reflector

R201 Series Diffuse Mode Sensors

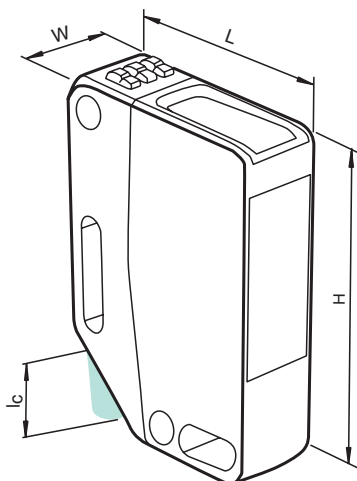


Standard Technical Data	
Interface	IO-Link
Voltage type	DC
Operating voltage (min)	10 V
Operating voltage (max)	30 V
Housing length L	41.7 mm
Housing width W	15 mm
Housing height H	61.7 mm
UL	■

For detailed data and description, see the datasheet. Further products can be found online at www.pepperl-fuchs.com.

Model number	Function principle	Detection range [mm]	Light type	Operating elements	Output type	Connection type
OBT300-R201-2EP-IO	With background suppression	300	Red LED	Potentiometer	2 x push-pull	Fixed cable
OBT300-R201-2EP-IO-0,3M-V1	With background suppression	300	Red LED	Potentiometer	2 x push-pull	Fixed cable with M12 plug
OBT300-R201-2EP-IO-0,3M-V1-1T	With background evaluation	300	Red LED	Potentiometer	2 x push-pull	Fixed cable with M12 plug
OBT300-R201-2EP-IO-0,3M-V31	With background suppression	300	Red LED	Potentiometer	2 x push-pull	Fixed cable with M8 plug
OBT300-R201-2EP-IO-0,3M-V31-1T	With background evaluation	300	Red LED	Potentiometer	2 x push-pull	Fixed cable with M8 plug
OBT300-R201-2EP-IO-1T	With background evaluation	300	Red LED	Potentiometer	2 x push-pull	Fixed cable
OBT300-R201-2EP-IO-V1	With background suppression	300	Red LED	Potentiometer	2 x push-pull	M12 connector plug
OBT300-R201-2EP-IO-V1-1T	With background evaluation	300	Red LED	Potentiometer	2 x push-pull	M12 connector plug
OBT300-R201-2EP-IO-V31	With background suppression	300	Red LED	Potentiometer	2 x push-pull	M8 connector plug
OBT300-R201-2EP-IO-V31-1T	With background evaluation	300	Red LED	Potentiometer	2 x push-pull	M8 connector plug
OBT300-R201-EP-IO-0,3M-V3	With background suppression	300	Red LED	Potentiometer	1 x push-pull	Fixed cable with M8 plug
OBT300-R201-EP-IO-0,3M-V3-1T	With background evaluation	300	Red LED	Potentiometer	1 x push-pull	Fixed cable with M8 plug
OBT300-R201-EP-IO-V3	With background suppression	300	Red LED	Potentiometer	1 x push-pull	M8 connector plug
OBT300-R201-EP-IO-V3-1T	With background evaluation	300	Red LED	Potentiometer	1 x push-pull	M8 connector plug
OQT350-R201-2EP-IO-0,3M-V1-L	With multiple switch points	350	Red laser diode	Potentiometer, push-button	2 x push-pull	Fixed cable with M12 plug
OQT350-R201-2EP-IO-0,3M-V31-L	With multiple switch points	350	Red laser diode	Potentiometer, push-button	2 x push-pull	Fixed cable with M8 plug
OQT350-R201-2EP-IO-L	With multiple switch points	350	Red laser diode	Potentiometer, push-button	2 x push-pull	Fixed cable
OQT350-R201-2EP-IO-V1-L	With multiple switch points	350	Red laser diode	Potentiometer, push-button	2 x push-pull	M12 connector plug
OQT350-R201-2EP-IO-V31-L	With multiple switch points	350	Red laser diode	Potentiometer, push-button	2 x push-pull	M8 connector plug
OQT350-R201-EP-IO-0,3M-V3-L	With multiple switch points	350	Red laser diode	Potentiometer, push-button	1 x push-pull	Fixed cable with M8 plug
OQT350-R201-EP-IO-V3-L	With multiple switch points	350	Red laser diode	Potentiometer, push-button	1 x push-pull	M8 connector plug
OQT400-R201-2EP-IO	With multiple switch points	400	Red LED	Potentiometer, push-button	2 x push-pull	Fixed cable
OQT400-R201-2EP-IO-0,3M-V1	With multiple switch points	400	Red LED	Potentiometer, push-button	2 x push-pull	Fixed cable with M12 plug
OQT400-R201-2EP-IO-0,3M-V31	With multiple switch points	400	Red LED	Potentiometer, push-button	2 x push-pull	Fixed cable with M8 plug
OQT400-R201-2EP-IO-V1	With multiple switch points	400	Red LED	Potentiometer, push-button	2 x push-pull	M12 connector plug
OQT400-R201-2EP-IO-V31	With multiple switch points	400	Red LED	Potentiometer, push-button	2 x push-pull	M8 connector plug
OQT400-R201-EP-IO-0,3M-V3	With multiple switch points	400	Red LED	Potentiometer, push-button	1 x push-pull	Fixed cable with M8 plug
OQT400-R201-EP-IO-V3	With multiple switch points	400	Red LED	Potentiometer, push-button	1 x push-pull	M8 connector plug
OBT600-R201-2EP-IO-0,3M-V1-L	With background suppression	600	Red laser diode	Potentiometer	2 x push-pull	Fixed cable with M12 plug
OBT600-R201-2EP-IO-0,3M-V31-L	With background suppression	600	Red laser diode	Potentiometer	2 x push-pull	Fixed cable with M8 plug
OBT600-R201-2EP-IO-1T-L	With background evaluation	600	Red laser diode	Potentiometer	2 x push-pull	Fixed cable
OBT600-R201-2EP-IO-1T-L-Y0247	With background evaluation	600	Red laser diode	Potentiometer	2 x push-pull	Fixed cable with M8 plug
OBT600-R201-2EP-IO-1T-L-Y0250	With background evaluation	600	Red laser diode	Potentiometer	2 x push-pull	Fixed cable with M12 plug
OBT600-R201-2EP-IO-L	With background suppression	600	Red laser diode	Potentiometer	2 x push-pull	Fixed cable
OBT600-R201-2EP-IO-V1-1T-L	With background evaluation	600	Red laser diode	Potentiometer	2 x push-pull	M12 connector plug
OBT600-R201-2EP-IO-V1-L	With background suppression	600	Red laser diode	Potentiometer	2 x push-pull	M12 connector plug
OBT600-R201-2EP-IO-V31-1T-L	With background evaluation	600	Red laser diode	Potentiometer	2 x push-pull	M8 connector plug
OBT600-R201-2EP-IO-V31-L	With background suppression	600	Red laser diode	Potentiometer	2 x push-pull	M8 connector plug
OBT600-R201-EP-IO-0,3M-V3-1T-L	With background evaluation	600	Red laser diode	Potentiometer	1 x push-pull	Fixed cable with M8 plug

Model number	Function principle	Detection range [mm]	Light type	Operating elements	Output type	Connection type
OBT600-R201-EP-IO-0,3M-V3-L	With background suppression	600	Red laser diode	Potentiometer	1 x push-pull	Fixed cable with M8 plug
OBT600-R201-EP-IO-V3-1T-L	With background evaluation	600	Red laser diode	Potentiometer	1 x push-pull	M8 connector plug
OBT600-R201-EP-IO-V3-L	With background suppression	600	Red laser diode	Potentiometer	1 x push-pull	M8 connector plug
OBT650-R201-2EP-IO	With background suppression	650	Red LED	Potentiometer	2 x push-pull	Fixed cable
OBT650-R201-2EP-IO-0,3M-V1	With background suppression	650	Red LED	Potentiometer	2 x push-pull	Fixed cable with M12 plug
OBT650-R201-2EP-IO-0,3M-V1-1T	With background evaluation	650	Red LED	Potentiometer	2 x push-pull	Fixed cable with M12 plug
OBT650-R201-2EP-IO-0,3M-V31	With background suppression	650	Red LED	Potentiometer	2 x push-pull	Fixed cable with M8 plug
OBT650-R201-2EP-IO-0,3M-V31-1T	With background evaluation	650	Red LED	Potentiometer	2 x push-pull	Fixed cable with M8 plug
OBT650-R201-2EP-IO-1T	With background evaluation	650	Red LED	Potentiometer	2 x push-pull	Fixed cable
OBT650-R201-2EP-IO-V1	With background suppression	650	Red LED	Potentiometer	2 x push-pull	M12 connector plug
OBT650-R201-2EP-IO-V1-1T	With background evaluation	650	Red LED	Potentiometer	2 x push-pull	M12 connector plug
OBT650-R201-2EP-IO-V31	With background suppression	650	Red LED	Potentiometer	2 x push-pull	M8 connector plug
OBT650-R201-2EP-IO-V31-1T	With background evaluation	650	Red LED	Potentiometer	2 x push-pull	M8 connector plug
OBT650-R201-EP-IO-0,3M-V3	With background suppression	650	Red LED	Potentiometer	1 x push-pull	Fixed cable with M8 plug
OBT650-R201-EP-IO-0,3M-V3-1T	With background evaluation	650	Red LED	Potentiometer	1 x push-pull	Fixed cable with M8 plug
OBT650-R201-EP-IO-V3	With background suppression	650	Red LED	Potentiometer	1 x push-pull	M8 connector plug
OBT650-R201-EP-IO-V3-1T	With background evaluation	650	Red LED	Potentiometer	1 x push-pull	M8 connector plug
OBD1400-R201-2EP-IO	Energetic	1400	Red LED	Potentiometer	2 x push-pull	Fixed cable
OBD1400-R201-2EP-IO-0,3M-V1	Energetic	1400	Red LED	Potentiometer	2 x push-pull	Fixed cable with M12 plug
OBD1400-R201-2EP-IO-0,3M-V31	Energetic	1400	Red LED	Potentiometer	2 x push-pull	Fixed cable with M8 plug
OBD1400-R201-2EP-IO-V1	Energetic	1400	Red LED	Potentiometer	2 x push-pull	M12 connector plug
OBD1400-R201-2EP-IO-V31	Energetic	1400	Red LED	Potentiometer	2 x push-pull	M8 connector plug
OBD1400-R201-EP-IO-0,3M-V3	Energetic	1400	Red LED	Potentiometer	1 x push-pull	Fixed cable with M8 plug
OBD1400-R201-EP-IO-V3	Energetic	1400	Red LED	Potentiometer	1 x push-pull	M8 connector plug



Accessories	
IO-Link-Master02-USB	IO-Link master, power supply via USB port
OMH-R20x-Quick-Mount	Quick-mounting aid
OMH-RL31-02	Narrow mounting bracket
OMH-RL31-03	Narrow mounting bracket
OMH-RL31-04	Mounting aid for circular profile \varnothing 12 mm or flat profile 1.5 mm ... 3 mm
OMH-RL31-07	Mounting bracket complete with adjustment component
OMH-RL31-08	Mounting aid for circular profile \varnothing 12 mm or flat profile 1.5 mm ... 3 mm
V1-W-2M-PUR	Single-ended female cordset, M12, 4-pin, PUR cable
V3-WM-2M-PUR	Single-ended female cordset, M8, 3-pin, PUR cable
V31-GM-2M-PUR	Single-ended female cordset, M8, 4-pin, PUR cable



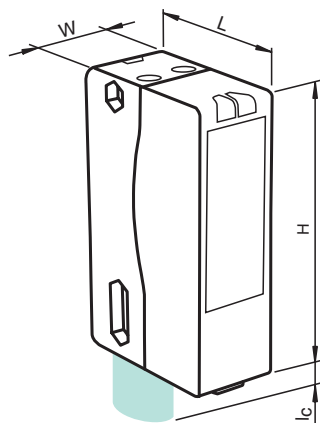
RL28 Series Thru-Beam Sensors



Standard Technical Data	
Function principle	Thru-beam sensor
Operating elements	Potentiometer
Housing width W	25.8 mm
Housing height H	88 mm

For detailed data and description, see the datasheet. Further products can be found online at www.pepperl-fuchs.com.

Model number	Detection range [mm]	Light type	Output type	Voltage type	UB (min)	UB (max)	Connection type	Length L	CCC	EAC	UL	VdS
LA28/LK28-FC-Z/31/116	10000	Infrared LED, red LED	Relay	AC/DC	12	240	Terminal compartment	65.5	■	■		■
LD28/LV28-F1-3974/47/82b/112	30000	Red LED	PNP	DC	10	30	M12 connector plug	65.5		■	■	
LA28/LK28-Z-F1/31/116	65000	Red LED	Relay	AC/DC	12	240	Terminal compartment	65.5	■	■	■	
LA28/LK28-LAS-F1-7675	120000	Red laser diode	Relay	AC/DC	12	240	Terminal compartment	65.5			■	
LD28/LV28-LAS-F1-7675	120000	Red laser diode	1 x push-pull	DC	10	30	M12 connector plug	54.3			■	
LD28/LV28-LAS-F1-7675/47	120000	Red laser diode	PNP	DC	10	30	M12 connector plug	54.3			■	



Accessories	
OMH-05	Mounting aid for circular profile \varnothing 12 mm or flat profiles 1.5 mm ... 3 mm
OMH-21	Mounting bracket
OMH-22	Mounting bracket
OMH-RL28-C	Protective cover for protection against welding beads
OMH-RLK29	Mounting bracket





RL28 Series Retroreflective Sensors



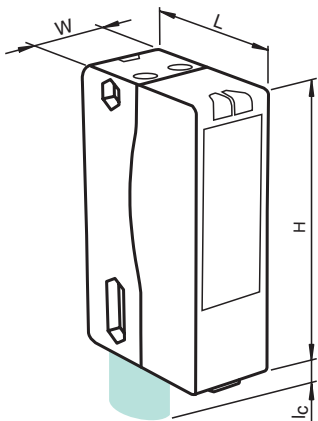
Standard Technical Data

Operating elements	Potentiometer
Housing width W	25.8 mm
Housing height H	88 mm

For detailed data and description, see the datasheet. Further products can be found online at www.pepperl-fuchs.com.

Model number	Function principle	Detection range [mm]	Light type	Output type	Voltage type	UB (min)	UB (max)	Connection type	Length L	CCC	EAC	UL	VdS
RL28-54-G-Z/47/112	For clear object detection	5600	Red LED	PNP	DC	10	30	M12 connector plug	65.5				■
RL28-54-G-Z/47/116	For clear object detection	5600	Red LED	PNP	DC	10	30	Terminal compartment	65.5				■
RL28-54-G-Z/49/116	For clear object detection	5600	Red LED	PNP/NPN	DC	10	30	Terminal compartment	65.5				■
RL28-54-G-Z/76a/110/116	For clear object detection	5600	Red LED	1 x push-pull	DC	10	30	Terminal compartment	65.5				■
RL28-54-G/47/105	For clear object detection	5600	Red LED	PNP	DC	10	30	M12 connector plug	54.3				■
RL28-54-G/47/115	For clear object detection	5600	Red LED	PNP	DC	10	30	Fixed cable	54.3				■
RL28-54-G/49/105	For clear object detection	5600	Red LED	PNP/NPN	DC	10	30	M12 connector plug	54.3				■
RL28-54-G/76a/110/115	For clear object detection	5600	Red LED	1 x push-pull	DC	10	30	Fixed cable	54.3				■
RLK28-54-G/31/116	For clear object detection	5600	Red LED	Relay	AC/DC	12	240	Terminal compartment	65.5	■			■
RLK28-FC-55-Z/31/116	Without polarization filter	3000	Red LED	Relay	AC/DC	12	240	Terminal compartment	65.5	■	■		■
RL28-55-V-Z/47/82b/112	With polarization filter	13000	Red LED	PNP	DC	10	30	M12 connector plug	65.5				■
RL28-55-V-Z/47/82b/116	With polarization filter	13000	Red LED	PNP	DC	10	30	Terminal compartment	65.5				■
RL28-55-V-Z/49/76a/82b/116	With polarization filter	13000	Red LED	PNP/NPN	DC	10	30	Terminal compartment	65.5				■
RL28-55-V/47/82b/105	With polarization filter	13000	Red LED	PNP	DC	10	30	M12 connector plug	54.3				■
RL28-55-V/49/74	With polarization filter	13000	Red LED	PNP/NPN	DC	10	30	M18 connector plug	54.3				■
RL28-55-V/49/82b/105	With polarization filter	13000	Red LED	PNP/NPN	DC	10	30	M12 connector plug	54.3				■
RL28-55-V/82b/105/110	With polarization filter	13000	Red LED	1 x push-pull	DC	10	30	M12 connector plug	54.3				■
RL28-55-Z/47/76a/82b/116	With polarization filter	17000	Red LED	PNP	DC	10	30	Terminal compartment	65.5				■
RL28-55-Z/47/82b/112	With polarization filter	17000	Red LED	PNP	DC	10	30	M12 connector plug	65.5				■
RL28-55-Z/49/76a/82b/116	With polarization filter	17000	Red LED	PNP/NPN	DC	10	30	Terminal compartment	65.5				■
RL28-55-Z/49/82b/112	With polarization filter	17000	Red LED	PNP/NPN	DC	10	30	M12 connector plug	65.5				■
RL28-55-Z/76a/82b/110/116	With polarization filter	17000	Red LED	1 x push-pull	DC	10	30	Terminal compartment	65.5				■
RL28-55-Z/82b/110/112	With polarization filter	17000	Red LED	1 x push-pull	DC	10	30	M12 connector plug	65.5				■
RL28-55/47/73c	With polarization filter	17000	Red LED	PNP	DC	10	30	M12 connector plug	54.3				■
RL28-55/47/74	With polarization filter	17000	Red LED	PNP	DC	10	30	M18 connector plug	54.3				■
RL28-55/47/76a/105	With polarization filter	17000	Red LED	PNP	DC	10	30	M12 connector plug	54.3				■
RL28-55/47/82b/105	With polarization filter	17000	Red LED	PNP	DC	10	30	M12 connector plug	54.3				■
RL28-55/47/82b/105/106	With polarization filter	17000	Red LED	PNP	DC	19.2	28.8	M12 connector plug	54.3				■
RL28-55/47/82b/115	With polarization filter	17000	Red LED	PNP	DC	10	30	Fixed cable	54.3				■
RL28-55/49/74	With polarization filter	17000	Red LED	PNP/NPN	DC	10	30	M18 connector plug	54.3				■
RL28-55/49/76b/105	With polarization filter	17000	Red LED	PNP/NPN	DC	10	30	M12 connector plug	54.3				■
RL28-55/49/82b/105	With polarization filter	17000	Red LED	PNP/NPN	DC	10	30	M12 connector plug	54.3				■
RL28-55/49/82b/115	With polarization filter	17000	Red LED	PNP/NPN	DC	10	30	Fixed cable	54.3				■
RL28-55/82b/105/110	With polarization filter	17000	Red LED	1 x push-pull	DC	10	30	M12 connector plug	54.3				■
RL28-55/82b/110/115	With polarization filter	17000	Red LED	1 x push-pull	DC	10	30	Fixed cable	54.3				■
RLK28-55-V-Z/31/116	With polarization filter	13000	Red LED	Relay	AC/DC	12	240	Terminal compartment	65.5	■	■		■
RLK28-55-Z/31/116	With polarization filter	17000	Red LED	Relay	AC/DC	12	240	Terminal compartment	65.5	■	■		■
RLK28-55/31/116	With polarization filter	17000	Red LED	Relay	AC/DC	12	240	Terminal compartment	65.5	■	■		■

Model number	Function principle	Detection range [mm]	Light type	Output type	Voltage type	UB (min)	UB (max)	Connection type	Length L	CCC	EAC	UL	VdS
RL28-55/35/47/115b	With polarization filter	20000	Red LED	PNP	DC	10	30	Fixed cable with M12 plug	54.3				■
RL28-55-LAS/47/82b/105	With polarization filter	30000	Red laser diode	PNP	DC	10	30	M12 connector plug	54.3				■
RL28-55-LAS/47/82b/115	With polarization filter	30000	Red laser diode	PNP	DC	10	30	Fixed cable	54.3				■
RL28-55-LAS/49/82b/105	With polarization filter	30000	Red laser diode	PNP/NPN	DC	10	30	M12 connector plug	54.3				■
RL28-55-LAS/76a/82b/105/110	With polarization filter	30000	Red laser diode	1 x push-pull	DC	10	30	M12 connector plug	54.3				■
RL28-55-LAS/76a/82b/110/115	With polarization filter	30000	Red laser diode	1 x push-pull	DC	10	30	Fixed cable	54.3				■
RLK28-55-LAS-Z/31/116	With polarization filter	30000	Red laser diode	Relay	AC/DC	12	240	Terminal compartment	65.5	■	■	■	



Accessories	
OMH-05	Mounting aid for circular profile \varnothing 12 mm or flat profile 1.5 mm ... 3 mm
OMH-21	Mounting bracket
OMH-22	Mounting bracket
OMH-RL28-C	Protective cover for protection against welding beads
OMH-RLK29	Mounting bracket
OMH-RLK29-HW	Mounting bracket for rear wall mounting
REF-MH82	Rectangular reflector with microstructure, 82 mm x 60 mm, mounting holes

RL28 Series Diffuse Mode Sensors

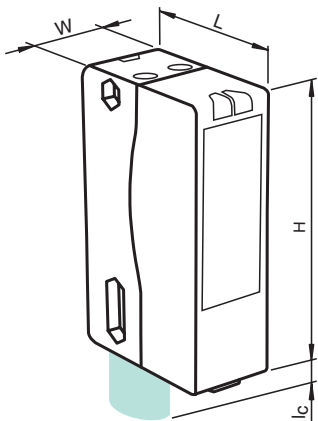


Standard Technical Data	
Function principle	Triangulation sensor with background suppression
Operating elements	Potentiometer
Housing width W	25.8 mm
Housing height H	88 mm

For detailed data and description, see the datasheet. Further products can be found online at www.pepperl-fuchs.com.

Model number	Detection range [mm]	Light type	Output type	Voltage type	UB (min)	UB (max)	Connection type	Length L	CCC	EAC	UL
RL28-8-H-400-FFP-RT/47/105	400	Red LED	PNP	DC	10	30	M12 connector plug	54.3			■
RL28-8-H-400-IR-Z/110/116	400	Infrared LED	1 x push-pull	DC	10	30	Terminal compartment	54.3			■
RL28-8-H-400-IR-Z/47/116	400	Infrared LED	PNP	DC	10	30	Terminal compartment	54.3			■
RL28-8-H-400-IR-Z/49/116	400	Infrared LED	PNP/NPN	DC	10	30	Terminal compartment	54.3			■
RL28-8-H-400-IR/105/110	400	Infrared LED	1 x push-pull	DC	10	30	M12 connector plug	54.3			■
RL28-8-H-400-IR/47/105	400	Infrared LED	PNP	DC	10	30	M12 connector plug	54.3			■
RL28-8-H-400-IR/49/105	400	Infrared LED	PNP/NPN	DC	10	30	M12 connector plug	54.3			■
RL28-8-H-400-IR/49/115	400	Infrared LED	PNP/NPN	DC	10	30	Fixed cable	54.3			■
RL28-8-H-400-RT-Z/110/116	400	Red LED	1 x push-pull	DC	10	30	Terminal compartment	54.3			■
RL28-8-H-400-RT-Z/49/116	400	Red LED	PNP/NPN	DC	10	30	Terminal compartment	54.3			■
RL28-8-H-400-RT/105/110	400	Red LED	1 x push-pull	DC	10	30	M12 connector plug	54.3			■
RL28-8-H-400-RT/47/105	400	Red LED	PNP	DC	10	30	M12 connector plug	54.3			■
RL28-8-H-400-RT/47/115	400	Red LED	PNP	DC	10	30	Fixed cable	54.3			■
RL28-8-H-400-RT/47/73c	400	Red LED	PNP	DC	10	30	M12 connector plug	54.3			■
RL28-8-H-400-RT/49/105	400	Red LED	PNP/NPN	DC	10	30	M12 connector plug	54.3			■
RL28-8-H-400-RT/49/115	400	Red LED	PNP/NPN	DC	10	30	Fixed cable	54.3			■
RLK28-8-H-400-IR-Z/31/116	400	Infrared LED	Relay	AC/DC	12	240	Terminal compartment	65.5	■	■	■
RLK28-8-H-400-RT-Z/31/116	400	Red LED	Relay	AC/DC	12	240	Terminal compartment	65.5	■	■	■
RL28-8-H-700-IR-Z/47/116	700	Infrared LED	PNP	DC	10	30	Terminal compartment	65.5			■
RL28-8-H-700-IR-Z/49/116	700	Infrared LED	PNP/NPN	DC	10	30	Terminal compartment	65.5			■
RL28-8-H-700-IR/105/110	700	Infrared LED	1 x push-pull	DC	10	30	M12 connector plug	54.3			■
RL28-8-H-700-IR/110/115	700	Infrared LED	1 x push-pull	DC	10	30	Fixed cable	54.3			■
RL28-8-H-700-IR/47/105	700	Infrared LED	PNP	DC	10	30	M12 connector plug	54.3		■	■
RL28-8-H-700-IR/47/105/106	700	Infrared LED	PNP	DC	19.2	28.8	M12 connector plug	54.3			
RL28-8-H-700-IR/47/115	700	Infrared LED	PNP	DC	10	30	Fixed cable	54.3			■
RL28-8-H-700-IR/47/74	700	Infrared LED	PNP	DC	10	30	M18 connector plug	54.3			■
RL28-8-H-700-IR/49/105	700	Infrared LED	PNP/NPN	DC	10	30	M12 connector plug	54.3			■
RL28-8-H-700-IR/49/115	700	Infrared LED	PNP/NPN	DC	10	30	Fixed cable	54.3			■
RL28-8-H-700-RT-Z/47/112	700	Red LED	PNP	DC	10	30	M12 connector plug	65.5			■
RL28-8-H-700-RT-Z/47/116	700	Red LED	PNP	DC	10	30	Terminal compartment	65.5			■
RL28-8-H-700-RT-Z/49/116	700	Red LED	PNP/NPN	DC	10	30	Terminal compartment	65.5			■
RL28-8-H-700-RT/105/110	700	Red LED	1 x push-pull	DC	10	30	M12 connector plug	54.3			■
RL28-8-H-700-RT/47/105	700	Red LED	PNP	DC	10	30	M12 connector plug	54.3			■
RL28-8-H-700-RT/47/115	700	Red LED	PNP	DC	10	30	Fixed cable	54.3			■
RL28-8-H-700-RT/47/73c	700	Red LED	PNP	DC	10	30	M12 connector plug	54.3			■
RL28-8-H-700-RT/47/74	700	Red LED	PNP	DC	10	30	M18 connector plug	54.3			■
RL28-8-H-700-RT/49/105	700	Red LED	PNP/NPN	DC	10	30	M12 connector plug	54.3			■
RL28-8-H-700-RT/49/115	700	Red LED	PNP/NPN	DC	10	30	Fixed cable	54.3			■
RLK28-8-H-700-IR-Z/31/116	700	Infrared LED	Relay	AC/DC	12	240	Terminal compartment	65.5	■	■	■
RLK28-8-H-700-RT-Z/31/116	700	Red LED	Relay	AC/DC	12	240	Terminal compartment	65.5	■	■	■

Model number	Detection range [mm]	Light type	Output type	Voltage type	UB (min)	UB (max)	Connection type	Length L	CCC	EAC	UL
RL28-8-H-1500-LAS/105/110	1500	Red laser diode	1 x push-pull	DC	10	30	M12 connector plug	54.3			■
RL28-8-H-1500-LAS/47/105	1500	Red laser diode	PNP	DC	10	30	M12 connector plug	54.3			■
RL28-8-H-1500-LAS/47/115b	1500	Red laser diode	PNP	DC	10	30	Fixed cable with M12 plug	54.3			■
RL28-8-H-2000-IR-Z/110/116	2000	Infrared LED	1 x push-pull	DC	10	30	Terminal compartment	65.5			■
RL28-8-H-2000-IR-Z/47/112	2000	Infrared LED	PNP	DC	10	30	M12 connector plug	65.5			■
RL28-8-H-2000-IR-Z/47/116	2000	Infrared LED	PNP	DC	10	30	Terminal compartment	65.5			■
RL28-8-H-2000-IR-Z/49/112	2000	Infrared LED	PNP/NPN	DC	10	30	M12 connector plug	65.5			■
RL28-8-H-2000-IR-Z/49/116	2000	Infrared LED	PNP/NPN	DC	10	30	Terminal compartment	65.5			■
RL28-8-H-2000-IR/105/110	2000	Infrared LED	1 x push-pull	DC	10	30	M12 connector plug	54.3			■
RL28-8-H-2000-IR/110/115	2000	Infrared LED	1 x push-pull	DC	10	30	Fixed cable	54.3			■
RL28-8-H-2000-IR/47/105	2000	Infrared LED	PNP	DC	10	30	M12 connector plug	54.3			■
RL28-8-H-2000-IR/47/105/106	2000	Infrared LED	PNP	DC	19.2	28.8	M12 connector plug	54.3			
RL28-8-H-2000-IR/47/115	2000	Infrared LED	PNP	DC	10	30	Fixed cable	54.3			■
RL28-8-H-2000-IR/47/73c	2000	Infrared LED	PNP	DC	10	30	M12 connector plug	54.3			■
RL28-8-H-2000-IR/47/74	2000	Infrared LED	PNP	DC	10	30	M18 connector plug	54.3			■
RL28-8-H-2000-IR/49/105	2000	Infrared LED	PNP/NPN	DC	10	30	M12 connector plug	54.3			■
RL28-8-H-2000-IR/49/115	2000	Infrared LED	PNP/NPN	DC	10	30	Fixed cable	54.3			■
RL28-8-H-2000-IR/49/74	2000	Infrared LED	PNP/NPN	DC	10	30	M18 connector plug	54.3			■
RLK28-8-H-2000-IR-Z/31/116	2000	Infrared LED	Relay	AC/DC	12	240	Terminal compartment	65.5	■	■	■



Accessories	
OMH-05	Mounting aid for circular profile \varnothing 12 mm or flat profile 1.5 mm ... 3 mm
OMH-21	Mounting bracket
OMH-22	Mounting bracket
OMH-RL28-C	Protective cover for protection against welding beads
OMH-RLK29	Mounting bracket
OMH-RLK29-HW	Mounting bracket for rear wall mounting

RL29 Series

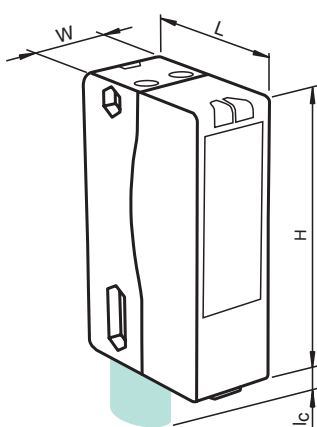


Standard Technical Data

Light type	Red LED
Housing width W	25.8 mm
Housing height H	88 mm

For detailed data and description, see the datasheet. Further products can be found online at www.pepperl-fuchs.com.

Model number	Function principle	Detection range [mm]	Operating elements	Output type	Voltage type	UB (min)	UB (max)	Connection type	Length L	CCC	EAC	UL
RL29-8-H-1200-RT/115/136	Triangulation sensor with background suppression	1200	Potentiometer	2 x push-pull	DC	10	30	Fixed cable	54.3			■
RL29-8-H-1200-RT/115b/136	Triangulation sensor with background suppression	1200	Potentiometer	2 x push-pull	DC	10	30	Fixed cable with M12 plug	54.3			■
RL29-8-H-1200-RT/59/73c/136	Triangulation sensor with background suppression	1200	Potentiometer	2 x push-pull	DC	10	30	M12 connector plug	54.3			■
RL29-8-H-1200-RT/73c/136	Triangulation sensor with background suppression	1200	Potentiometer	2 x push-pull	DC	10	30	M12 connector plug	54.3			■
RL29-8-2000/115b/136	Diffuse mode sensor, energetic	2000	Potentiometer	2 x push-pull	DC	10	30	Fixed cable with M12 plug	54.3			■
RL29-8-2000/59/73c/136	Diffuse mode sensor, energetic	2000	Potentiometer	2 x push-pull	DC	10	30	M12 connector plug	54.3			■
RL29-8-2000/73c/136	Diffuse mode sensor, energetic	2000	Potentiometer	2 x push-pull	DC	10	30	M12 connector plug	54.3			■
RL29-55-V/115b/136	Retroreflective sensor with polarization filter	6000		2 x push-pull	DC	10	30	Fixed cable with M12 plug	54.3			■
RL29-55-V/25/73c/136	Retroreflective sensor with polarization filter	6000		2 x push-pull	DC	10	30	M12 connector plug	54.3			■
RL29-55-V/73c/136	Retroreflective sensor with polarization filter	6000		2 x push-pull	DC	10	30	M12 connector plug	54.3			■
RL29-55/115b/136	Retroreflective sensor with polarization filter	7000		2 x push-pull	DC	10	30	Fixed cable with M12 plug	54.3			■
RL29-55/25/73c/136	Retroreflective sensor with polarization filter	7000		2 x push-pull	DC	10	30	M12 connector plug	54.3			■
RL29-55/73c/136	Retroreflective sensor with polarization filter	7000		2 x push-pull	DC	10	30	M12 connector plug	54.3			■
RLK29-55/25/116	Retroreflective sensor with polarization filter	12000		Relay	AC/DC	24	230	Terminal compartment	65.5	■	■	■
RLK29-55/25/116-Set	Retroreflective sensor with polarization filter	12000		Relay	AC/DC	24	230	Terminal compartment	65.5	■	■	■
RLK29-55/59/116	Retroreflective sensor with polarization filter	12000		Relay	AC/DC	24	230	Terminal compartment	65.5	■	■	■
RLK29-55/59/116-Set	Retroreflective sensor with polarization filter	12000		Relay	AC/DC	24	230	Terminal compartment	65.5	■	■	■
LA29/LK29-Z-F1/31/116-SET	Thru-beam sensor	65000	Potentiometer	Relay	AC/DC	12	240	Terminal compartment	65.5	■	■	
LA29/LK29-Z-F2/31/116-SET	Thru-beam sensor	65000	Potentiometer	Relay	AC/DC	12	240	Terminal compartment	65.5	■	■	



Accessories

OFR-100/100	Optical reflective film, 100 mm x 100 mm
OMH-05	Mounting aid for circular profile \varnothing 12 mm or flat profile 1.5 mm ... 3 mm
OMH-21	Mounting bracket
OMH-22	Mounting bracket
OMH-RL28-C	Protective cover for protection against welding beads
OMH-RLK29	Mounting bracket
OMH-RLK29-HW	Mounting bracket for rear wall mounting
OMH-RLK29-HW-120	Mounting bracket for rear wall mounting
REF-C110-2	Round reflector \varnothing 84 mm, mounting hole in center
V1-G-2M-PUR	Single-ended female cordset, M12, 4-pin, PUR cable

RL31 Series Thru-Beam Sensors

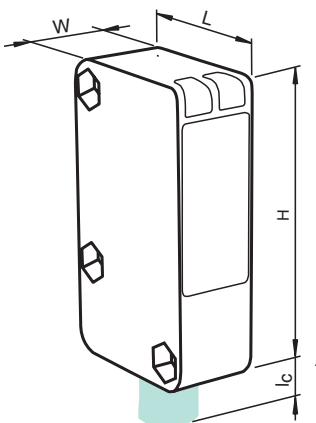


Standard Technical Data

Function principle	Thru-beam sensor
Detection range	43000 mm
Light type	Red LED
Housing length L	35 mm
Housing width W	18 mm
Housing height H	62 mm

For detailed data and description, see the datasheet. Further products can be found online at www.pepperl-fuchs.com.

Model number	Operating elements	Output type	Voltage type	UB (min)	UB (max)	Connection type	CCC	EAC	UL
LA31/LK31/16/25/31/115	Potentiometer	Relay	AC/DC	24	240	Fixed cable	■	■	
LA31/LK31/25/31/115		Relay	AC/DC	24	240	Fixed cable	■	■	
LA31/LK31/25/31/115 SET		Relay	AC/DC	24	240	Fixed cable	■	■	
LA31/LK31/25/31/115 SET2		Relay	AC/DC	24	240	Fixed cable	■	■	
LA31/LK31/31/115		Relay	AC/DC	24	240	Fixed cable	■	■	
LD31/LV31/25/73c/76a/136		2 x push-pull	DC	10	30	M12 connector plug		■	■
LD31/LV31/73c/76a/136		2 x push-pull	DC	10	30	M12 connector plug		■	■
LD31/LV31/76a/115/136		2 x push-pull	DC	10	30	Fixed cable			■



Accessories

OMH-RL31-02	Narrow mounting bracket
OMH-RL31-03	Narrow mounting bracket
OMH-RL31-04	Mounting aid for circular profile \varnothing 12 mm or flat profile 1.5 mm ... 3 mm
OMH-RL31-05	Mounting bracket for mounting on flat surfaces with two M4 screws

RL31 Series Retroreflective Sensors

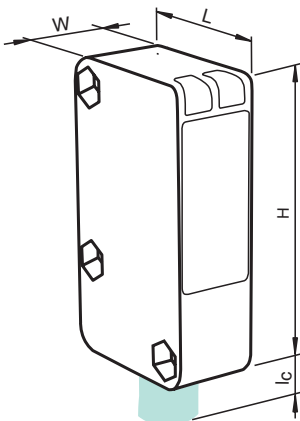


Standard Technical Data

Light type	Red LED
Housing length L	35 mm
Housing width W	18 mm
Housing height H	62 mm

For detailed data and description, see the datasheet. Further products can be found online at www.pepperl-fuchs.com.

Model number	Function principle	Detection range [mm]	Output type	Voltage type	UB (min)	UB (max)	Connection type	CCC	EAC	UL
RL31-54/115/136	With polarization filter	9000	2 x push-pull	DC	10	30	Fixed cable			■
RL31-54/115/136-5M	With polarization filter	9000	2 x push-pull	DC	10	30	Fixed cable			■
RL31-54/115b/136	With polarization filter	9000	2 x push-pull	DC	10	30	Fixed cable with M12 plug			■
RL31-54/25/73c/136	With polarization filter	9000	2 x push-pull	DC	10	30	M12 connector plug		■	■
RL31-54/73c/136	With polarization filter	9000	2 x push-pull	DC	10	30	M12 connector plug		■	■
RLK31-54/25/31/115	With polarization filter	9000	Relay	AC/DC	24	240	Fixed cable	■	■	
RLK31-54/25/31/115 SET	With polarization filter	9000	Relay	AC/DC	24	240	Fixed cable	■	■	
RLK31-54/25/31/115 SET2	With polarization filter	9000	Relay	AC/DC	24	240	Fixed cable	■	■	
RLK31-54/25/31/33/115-15M	With polarization filter	9000	Relay	AC/DC	24	240	Fixed cable	■	■	
RLK31-54/25/31/33/115-15M SET	With polarization filter	9000	Relay	AC/DC	24	240	Fixed cable	■	■	
RLK31-54/25/31/33/115-5M	With polarization filter	9000	Relay	AC/DC	24	240	Fixed cable	■	■	
RLK31-54/31/115	With polarization filter	9000	Relay	AC/DC	24	240	Fixed cable	■	■	
RLK31-54/31/33/115	With polarization filter	9000	Relay	AC/DC	24	240	Fixed cable	■	■	
RLK31-6/25/31/115	Without polarization filter	16,500	Relay	AC/DC	24	240	Fixed cable		■	■
RLK31-6/31/115	Without polarization filter	16,500	Relay	AC/DC	24	240	Fixed cable		■	■



Accessories

OFR-100/100	Optical reflective film, 100 mm x 100 mm
OMH-RL31-01	Mounting bracket
OMH-RL31-02	Narrow mounting bracket
OMH-RL31-03	Narrow mounting bracket
OMH-RL31-04	Mounting aid for circular profile \varnothing 12 mm or flat profile 1.5 mm ... 3 mm
OMH-RL31-05	Mounting bracket for mounting on flat surfaces with two M4 screws
OMH-RL31-06	Stainless steel mounting bracket with adjustable half clamp on the side
REF-H85-2	Rectangular reflector, 84.5 mm x 84.5 mm, mounting holes
V1-G-2M-PUR	Single-ended female cordset, M12, 4-pin, PUR cable

RL31 Series Diffuse Mode Sensors

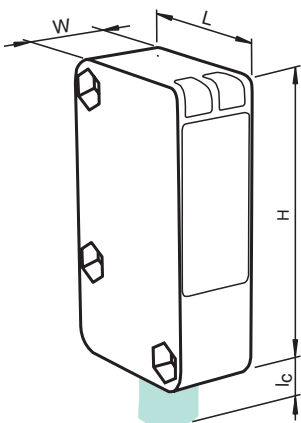


Standard Technical Data

Operating elements	Potentiometer
Housing length L	35 mm
Housing width W	18 mm
Housing height H	62 mm

For detailed data and description, see the datasheet. Further products can be found online at www.pepperl-fuchs.com.

Model number	Function principle	Detection range [mm]	Light type	Interface	Output type	Voltage type	UB (min)	UB (max)	Connection type	CCC	EAC	UL
RL31-8-H-800-IR/73c/136	With background suppression	800	Infrared LED		2 x push-pull	DC	10	30	M12 connector plug			■
RL31-8-H-800-RT-IO/59/115/136	With measurement core	800	Red LED	IO-Link	2 x push-pull	DC	10	30	Fixed cable			■
RL31-8-H-800-RT-IO/59/73c/136	With measurement core	800	Red LED	IO-Link	2 x push-pull	DC	10	30	M12 connector plug			■
RL31-8-H-800-RT/115/136	With background suppression	800	Red LED		2 x push-pull	DC	10	30	Fixed cable			■
RL31-8-H-800-RT/73c/136	With background suppression	800	Red LED		2 x push-pull	DC	10	30	M12 connector plug			■
RLK31-8-1200-RT/31/115	Energetic	1200	Red LED		Relay	AC/DC	24	240	Fixed cable	■	■	
RLK31-8-1200-RT/31/59/115	Energetic	1200	Red LED		Relay	AC/DC	24	240	Fixed cable	■	■	
RL31-8-1200-RT/59/73c/136	Energetic	1200	Red LED		2 x push-pull	DC	10	30	M12 connector plug			■
RL31-8-1200-RT/73c/136	Energetic	1200	Red LED		2 x push-pull	DC	10	30	M12 connector plug			■
RL31-8-2500-IR/115/136	Energetic	2500	Infrared LED		2 x push-pull	DC	10	30	Fixed cable			■
RL31-8-2500-IR/59/73c/136	Energetic	2500	Infrared LED		2 x push-pull	DC	10	30	M12 connector plug			■
RL31-8-2500-IR/73c/136	Energetic	2500	Infrared LED		2 x push-pull	DC	10	30	M12 connector plug			■
RLK31-8-2500-IR-3953/31	Energetic	2500	Infrared LED		Relay	AC/DC	24	240	Fixed cable			■
RLK31-8-2500-IR/31/115	Energetic	2500	Infrared LED		Relay	AC/DC	24	240	Fixed cable	■	■	
RLK31-8-2500-IR/31/33/115-5M	Energetic	2500	Infrared LED		Relay	AC/DC	24	240	Fixed cable	■	■	
RLK31-8-2500-IR/31/59/115	Energetic	2500	Infrared LED		Relay	AC/DC	24	240	Fixed cable	■	■	



Accessories

OMH-RL31-01	Mounting bracket
OMH-RL31-02	Narrow mounting bracket
OMH-RL31-03	Narrow mounting bracket
OMH-RL31-04	Mounting aid for circular profile \varnothing 12 mm or flat profile 1.5 mm ... 3 mm
OMH-RL31-05	Mounting bracket for mounting on flat surfaces with two M4 screws
OMH-RL31-06	Stainless steel mounting bracket with adjustable half clamp on the side
V1-G-2M-PUR	Single-ended female cordset, M12, 4-pin, PUR cable

MLV41 Series

Retroreflective Sensors

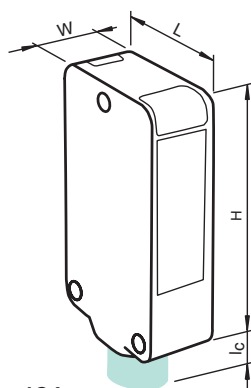


Standard Technical Data

Light type	Red LED
Voltage type	DC
Operating voltage (min)	10 V
Operating voltage (max)	30 V
Housing length L	13.6 mm
Housing width W	31 mm
Housing height H	56.5 mm
UL	■

For detailed data and description, see the datasheet. Further products can be found online at www.pepperl-fuchs.com.

Model number	Function principle	Detection range [mm]	Interface	Operating elements	Output type	Connection type	EAC
MLV41-54-G-IO/25/92/136	For clear object detection	4000	IO-Link		2 x push-pull	M12 connector plug	
MLV41-54-G/102/123/124/126g	For clear object detection	4000		Potentiometer	NPN	M12 connector plug	
MLV41-54-G/25/115/123/136	For clear object detection	4000			2 x push-pull	Fixed cable	
MLV41-54-G/25/123/124/136	For clear object detection	4000			2 x push-pull	M12 connector plug	
MLV41-54-G/25/70/123/136	For clear object detection	4000			2 x push-pull	M9 connector plug	
MLV41-54-G/25/76a/124/136	For clear object detection	4000			2 x push-pull	M12 connector plug	
MLV41-54-G/25/95/136	For clear object detection	4000			2 x push-pull	M8 connector plug	
MLV41-54-G/82b/103/123/124	For clear object detection	4000		Potentiometer	PNP	M12 connector plug	
MLV41-54-G/98/110	For clear object detection	4000		Potentiometer	1 x push-pull	M8 connector plug	
MLV41-55-IO/98/103	With polarization filter	7000	IO-Link		PNP	M8 connector plug	
MLV41-55-IO/92/136	With polarization filter	8000	IO-Link		2 x push-pull	M12 connector plug	
MLV41-55-IO/95/136	With polarization filter	8000	IO-Link		2 x push-pull	M8 connector plug	
MLV41-55/25/115/136	With polarization filter	8000			2 x push-pull	Fixed cable	■
MLV41-55/25/70/136	With polarization filter	8000			2 x push-pull	M9 connector plug	
MLV41-55/25/92/136	With polarization filter	8000			2 x push-pull	M12 connector plug	
MLV41-55/25/95/136	With polarization filter	8000			2 x push-pull	M8 connector plug	
MLV41-55/40a/82b/92/103	With polarization filter	8000		Potentiometer	PNP	M12 connector plug	
MLV41-55/40a/92/102/126b	With polarization filter	8000		Potentiometer	NPN	M12 connector plug	
MLV41-6-IO/92/136	Without polarization filter	9500	IO-Link		2 x push-pull	M12 connector plug	
MLV41-6-IO/95/136	Without polarization filter	9500	IO-Link		2 x push-pull	M8 connector plug	
MLV41-6-IO/98/103	Without polarization filter	9500	IO-Link		PNP	M8 connector plug	
MLV41-6/25/115/136	Without polarization filter	9500			2 x push-pull	Fixed cable	
MLV41-6/25/70/136	Without polarization filter	9500			2 x push-pull	M9 connector plug	
MLV41-6/25/82a/95/103	Without polarization filter	9500			PNP	M8 connector plug	
MLV41-6/25/92/136	Without polarization filter	9500			2 x push-pull	M12 connector plug	
MLV41-6/25/95/136	Without polarization filter	9500			2 x push-pull	M8 connector plug	
MLV41-6/82b/92/103	Without polarization filter	9500			PNP	M12 connector plug	
MLV41-6/92/102/126b	Without polarization filter	9500			NPN	M12 connector plug	



Accessories

OMH-09	Mounting bracket for MLV41 series sensors for mounting on M12 round bar
OMH-40	Mounting bracket
V1-G-2M-PUR	Single-ended female cordset, M12, 4-pin, PUR cable
V15-G-2M-PUR	Single-ended female cordset, M12, 5-pin, PUR cable
V3-WM-2M-PUR	Single-ended female cordset, M8, 3-pin, PUR cable

MLV41 Series

Diffuse Mode Sensors

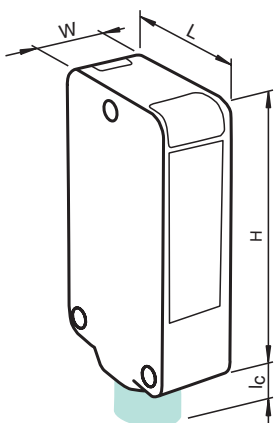


Standard Technical Data

Function principle	Triangulation sensor with background suppression
Voltage type	DC
Operating voltage (min)	10 V
Operating voltage (max)	30 V
Housing length L	13.6 mm
Housing width W	31 mm
Housing height H	56.5 mm

For detailed data and description, see the datasheet. Further products can be found online at www.pepperl-fuchs.com.

Model number	Detection range [mm]	Light type	Interface	Operating elements	Output type	Connection type	TU
MLV41-8-HV-60-IR/110/124/167	60	Infrared LED			1 x push-pull	M12 connector plug	
MLV41-8-H-120-RT-IO/65b/92/136	120	Red LED	IO-Link	Potentiometer	2 x push-pull	M12 connector plug	■
MLV41-8-H-120-RT-IO/65b/95/136	120	Red LED	IO-Link	Potentiometer	2 x push-pull	M8 connector plug	■
MLV41-8-H-120-RT-IO/65b/98/103	120	Red LED	IO-Link	Potentiometer	PNP	M8 connector plug	■
MLV41-8-H-120-RT/65b/92/136	120	Red LED		Potentiometer	2 x push-pull	M12 connector plug	■
MLV41-8-H-120-RT/65b/95/136	120	Red LED		Potentiometer	2 x push-pull	M8 connector plug	■
MLV41-8-H-350-IR/25/98/110	350	Infrared LED		Potentiometer	1 x push-pull	M8 connector plug	■
MLV41-8-H-350-IR/59/115/136	350	Infrared LED		Potentiometer	2 x push-pull	Fixed cable	■
MLV41-8-H-350-IR/59/115b/136	350	Infrared LED		Potentiometer	2 x push-pull	Fixed cable with M12 plug	■
MLV41-8-H-350-IR/59/92/136	350	Infrared LED		Potentiometer	2 x push-pull	M12 connector plug	■
MLV41-8-H-350-IR/59/95/136	350	Infrared LED		Potentiometer	2 x push-pull	M8 connector plug	■
MLV41-8-H-350-RT/25/115/136	350	Red LED		Potentiometer	2 x push-pull	Fixed cable	■
MLV41-8-H-350-RT/25/92/136	350	Red LED		Potentiometer	2 x push-pull	M12 connector plug	■
MLV41-8-H-350-RT/40a/98/110	350	Red LED		Potentiometer	1 x push-pull	M8 connector plug	■
MLV41-8-H-350-RT/59/115/136	350	Red LED		Potentiometer	2 x push-pull	Fixed cable	■
MLV41-8-H-350-RT/59/115b/136	350	Red LED		Potentiometer	2 x push-pull	Fixed cable with M12 plug	■
MLV41-8-H-350-RT/59/70/136	350	Red LED		Potentiometer	2 x push-pull	M9 connector plug	■
MLV41-8-H-350-RT/59/71/136	350	Red LED		Potentiometer	2 x push-pull	M9 connector plug	■
MLV41-8-H-350-RT/59/92/136	350	Red LED		Potentiometer	2 x push-pull	M12 connector plug	■
MLV41-8-H-350-RT/59/95/136	350	Red LED		Potentiometer	2 x push-pull	M8 connector plug	■
MLV41-8-H-500-RT-IO/65b/92/136	500	Red LED	IO-Link	Potentiometer	2 x push-pull	M12 connector plug	■
MLV41-8-H-500-RT-IO/65b/95/136	500	Red LED	IO-Link	Potentiometer	2 x push-pull	M8 connector plug	■
MLV41-8-H-500-RT/65b/92/136	500	Red LED		Potentiometer	2 x push-pull	M12 connector plug	■
MLV41-8-H-500-RT/65b/95/136	500	Red LED		Potentiometer	2 x push-pull	M8 connector plug	■



Accessories

IO-Link-Master02-USB	IO-Link master, supply via USB port or separate power supply, LED indicators, M12 plug for sensor connection
OMH-09	Mounting bracket for MLV41 series sensors for mounting on M12 round bar
OMH-40	Mounting bracket
OMH-MLV41-8-HV-U	Mounting bracket
V1-G-2M-PUR	Single-ended female cordset, M12, 4-pin, PUR cable
V1-W-2M-PUR	Single-ended female cordset, M12, 4-pin, PUR cable
V31-GM-2M-PUR	Single-ended female cordset, M8, 4-pin, PUR cable

R300 Series

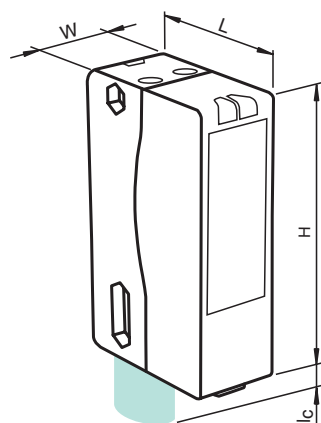


Standard Technical Data

Light type	Red LED
Voltage type	DC
Operating voltage (min)	10 V
Operating voltage (max)	30 V
Connection type	M12 connector plug
Housing length L	54.3 mm
Housing width W	25.8 mm
Housing height H	88 mm
UL	■

For detailed data and description, see the datasheet. Further products can be found online at www.pepperl-fuchs.com.

Model number	Function principle	Detection range [mm]	Operating elements	Output type
OBR50M-R300-2P1-V1	Distance sensor	50000	Push-button	2 x push-pull
OBR50M-R300-2PP-V1	Distance sensor	50000	Push-button	2 x push-pull
OMR50M-R300-IEP-V1	Distance sensor	50000	Potentiometer, push-button	1 x push-pull, 1 x analog
OMR50M-R300-UEP-V1	Distance sensor	50000	Potentiometer, push-button	1 x push-pull, 1 x analog
OQR50M-R300-2EP-V1	Distance sensor	50000	Potentiometer, push-button	2 x push-pull
OBD8000-R300-2P1-V1-L	Diffuse mode sensor, energetic	8000	Push-button	2 x push-pull
OBD8000-R300-2PP-V1-L	Diffuse mode sensor, energetic	8000	Potentiometer	2 x push-pull
OMD8000-R300-IEP-V1-L	Distance sensor	8000	Potentiometer, push-button	1 x push-pull, 1 x analog
OMD8000-R300-UEP-V1-L	Distance sensor	8000	Potentiometer, push-button	1 x push-pull, 1 x analog
OQD8000-R300-2EP-V1-L	Distance sensor	8000	Potentiometer, push-button	2 x push-pull



Accessories

OMH-05	Mounting aid for circular profile \varnothing 12 mm or flat profile 1.5 mm ... 3 mm
OMH-07-01	Mounting aid for circular profile \varnothing 12 mm or flat profile 1.5 mm ... 3 mm
OMH-22	Mounting bracket
OMH-K03	Mounting clamp for sensors with dovetail groove
OMH-RLK29-HW	Mounting bracket for rear wall mounting
OMH-VDM28-01	Metal enclosure for inserting protective screens or apertures
OMH-VDM28-02	Mounting and fine adjustment device
V1-W-2M-PUR	Single-ended female cordset, M12, 4-pin, PUR cable

ML17 Series Retroreflective Sensors

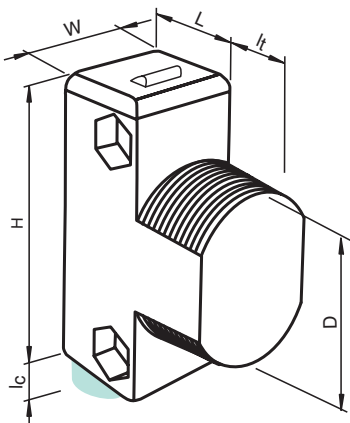


Standard Technical Data

Function principle	Retroreflective sensor with polarization filter
Detection range	3500 mm
Light type	Red LED
Voltage type	DC
Operating voltage (min)	10 V
Operating voltage (max)	30 V
Housing length L	29.3 mm
Housing width W	15 mm
Housing height H	34.5 mm
UL	■

For detailed data and description, see the datasheet. Further products can be found online at www.pepperl-fuchs.com.

Model number	Operating elements	Output type	Connection type
ML17-54/115/136	Potentiometer	2 x push-pull	Fixed cable
ML17-54/115b/120	Potentiometer	PNP	Fixed cable with M12 plug
ML17-54/115b/136	Potentiometer	2 x push-pull	Fixed cable with M12 plug
ML17-54/136/143	Potentiometer	2 x push-pull	M8 connector plug
ML17-54/25/103/115/154		PNP	Fixed cable
ML17-54/73/136	Potentiometer	2 x push-pull	M12 connector plug



Accessories

OMH-ML17	Mounting bracket
OMH-ML17-1	Mounting bracket
OMH-ML17-EZ	Mounting bracket
V1-W-2M-PUR	Single-ended female cordset, M12, 4-pin, PUR cable

ML17 Series Diffuse Mode Sensors

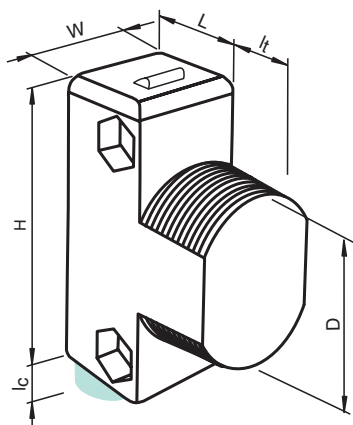


Standard Technical Data

Output type	2 x push-pull
Voltage type	DC
Operating voltage (min)	10 V
Operating voltage (max)	30 V
Housing length L	29.3 mm
Housing width W	15 mm
Housing height H	34.5 mm
UL	■

For detailed data and description, see the datasheet. Further products can be found online at www.pepperl-fuchs.com.

Model number	Function principle	Detection range [mm]	Light type	Operating elements	Connection type
ML17-8-H-50-RT/115/136	Triangulation sensor with background suppression	50	Red LED		Fixed cable
ML17-8-H-50-RT/115b/136	Triangulation sensor with background suppression	50	Red LED		Fixed cable with M12 plug
ML17-8-H-50-RT/136/143	Triangulation sensor with background suppression	50	Red LED		M8 connector plug
ML17-8-H-50-RT/73/136	Triangulation sensor with background suppression	50	Red LED		M12 connector plug
ML17-8-H-100-RT/115/136	Triangulation sensor with background suppression	100	Red LED		Fixed cable
ML17-8-H-100-RT/115b/136	Triangulation sensor with background suppression	100	Red LED		Fixed cable with M12 plug
ML17-8-H-100-RT/136/143	Triangulation sensor with background suppression	100	Red LED		M8 connector plug
ML17-8-H-100-RT/73/136	Triangulation sensor with background suppression	100	Red LED		M12 connector plug
ML17-8-450/115/136	Diffuse mode sensor, energetic	450	Infrared LED	Potentiometer	Fixed cable
ML17-8-450/115b/136	Diffuse mode sensor, energetic	450	Infrared LED	Potentiometer	Fixed cable with M12 plug
ML17-8-450/136/143	Diffuse mode sensor, energetic	450	Infrared LED	Potentiometer	M8 connector plug
ML17-8-450/73/136	Diffuse mode sensor, energetic	450	Infrared LED	Potentiometer	M12 connector plug



Accessories

OMH-ML17	Mounting bracket
OMH-ML17-1	Mounting bracket
OMH-ML17-EZ	Mounting bracket
V1-G-2M-PUR	Single-ended female cordset, M12, 4-pin, PUR cable
V1-W-2M-PUR	Single-ended female cordset, M12, 4-pin, PUR cable
V31-GM-2M-PUR	Single-ended female cordset, M8, 4-pin, PUR cable

ML29 Series



Standard Technical Data

Function principle	Thru-beam sensor
Light type	Infrared LED
Voltage type	DC
Housing length L	9.2 mm
Housing width W	11.6 mm
Housing height H	85.2 mm

For detailed data and description, see the datasheet. Further products can be found online at www.pepperl-fuchs.com.

Model number	Detection range [mm]	Output type	UB (min)	UB (max)	Connection type	EAC
ML29T-P/32/59/115 100mm	2500	PNP	10	32	Fixed cable	
ML29-2P/25/103/143	5000	PNP	11	30	Other	
ML29-P/25/102/115	6000	NPN	11	30	Fixed cable	
ML29-P/25/102/143	6000	NPN	11	30	Other	
ML29-P/25/103/115	6000	PNP	11	30	Fixed cable	■
ML29-P/25/103/143	6000	PNP	11	30	Other	
ML29-P/59/102/115	6000	NPN	11	30	Fixed cable	
ML29-P/59/102/143	6000	NPN	11	30	Other	
ML29-P/59/103/115	6000	PNP	11	30	Fixed cable	
ML29-P/59/103/143	6000	PNP	11	30	Other	

Accessories

ML29 Front Plate	Front panel for ML29 series thru-beam sensors
-------------------------	---

ML100 Series Thru-Beam Sensors

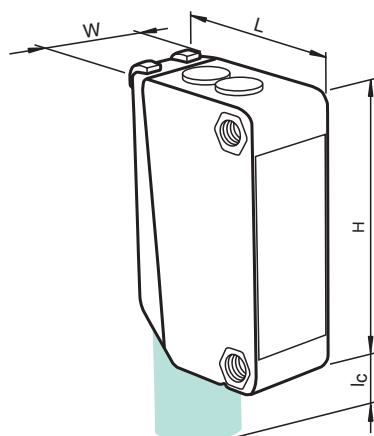


Standard Technical Data

Function principle	Thru-beam sensor
Voltage type	DC
Operating voltage (min)	10 V
Operating voltage (max)	30 V
Housing length L	20 mm
Housing width W	11 mm
Housing height H	31 mm
UL	■

For detailed data and description, see the datasheet. Further products can be found online at www.pepperl-fuchs.com.

Model number	Detection range [mm]	Light type	Operating elements	Output type	Connection type	E1 type approval
M100/MV100-RT/76a/103/115	10000	Red LED	Potentiometer	PNP	Fixed cable	
M100/MV100-RT/76a/103/115a	10000	Red LED	Potentiometer	PNP	Fixed cable with M8 plug	
M100/MV100-RT/76a/95/103	10000	Red LED	Potentiometer	PNP	M8 connector plug	
M100/MV100-RT/76a/98/103	10000	Red LED	Potentiometer	PNP	M8 connector plug	
M100/MV100-RT/76b/102/115	10000	Red LED	Potentiometer	NPN	Fixed cable	
M100/MV100-RT/76b/102/115a	10000	Red LED	Potentiometer	NPN	Fixed cable with M8 plug	
M100/MV100-RT/76b/95/102	10000	Red LED	Potentiometer	NPN	M8 connector plug	
M100/MV100-RT/76b/98/102	10000	Red LED	Potentiometer	NPN	M8 connector plug	
M100/MV100-IR/76a/103/115	15000	Infrared LED	Potentiometer	PNP	Fixed cable	
M100/MV100-IR/76a/95/103	15000	Infrared LED	Potentiometer	PNP	M8 connector plug	
M100/MV100-IR/76b/102/115	15000	Infrared LED	Potentiometer	NPN	Fixed cable	
M100/MV100-IR/95/120/154	15000	Infrared LED		PNP	M8 connector plug	■
M100/MV100-RT/35/102/115/154	20000	Red LED		NPN	Fixed cable	
M100/MV100-RT/35/103/115/154	20000	Red LED		PNP	Fixed cable	
M100/MV100-RT/35/76a/103/115	20000	Red LED	Potentiometer	PNP	Fixed cable	
M100/MV100-RT/35/76a/95/103	20000	Red LED	Potentiometer	PNP	M8 connector plug	
M100/MV100-RT/35/76a/98/103	20000	Red LED	Potentiometer	PNP	M8 connector plug	
M100/MV100-RT/35/76b/102/115	20000	Red LED	Potentiometer	NPN	Fixed cable	
M100/MV100-RT/35/76b/95/102	20000	Red LED	Potentiometer	NPN	M8 connector plug	
M100/MV100-RT/35/76b/98/102	20000	Red LED	Potentiometer	NPN	M8 connector plug	



Accessories

OMH-10	Mounting aid
OMH-F10-ML100	Mounting aid
OMH-ML100-01	Mounting aid, mounting bracket
OMH-ML100-02	Mounting aid, mounting bracket
OMH-ML100-04	Mounting aid, mounting bracket
OMH-ML100-05	Mounting aid, mounting bracket
OMH-ML100-09	Mounting aid for circular profile \varnothing 12 mm or flat profile 1.5 mm ... 3 mm
OMH-ML100-S1	Mounting bracket
OMH-ML100-S2	Mounting aid, mounting bracket
V31-GM-2M-PUR	Single-ended female cordset, M8, 4-pin, PUR cable





ML100 Series Retroreflective Sensors

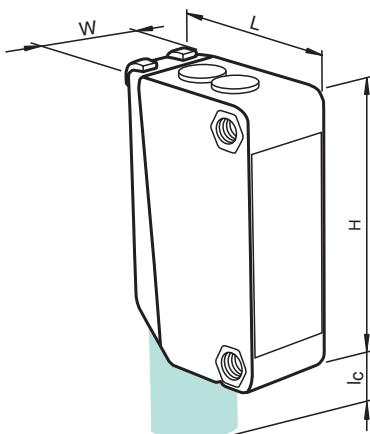


Standard Technical Data	
Voltage type	DC
Operating voltage (min)	10 V
Operating voltage (max)	30 V
Housing length L	20 mm
Housing width W	11 mm
Housing height H	31 mm
UL	■

For detailed data and description, see the datasheet. Further products can be found online at www.pepperl-fuchs.com.

Model number	Function principle	Detection range [mm]	Light type	Operating elements	Output type	Connection type	EAC	UL	E1
ML100-55-G/102/115	With polarization filter	2500	Red LED	Potentiometer	NPN	Fixed cable		■	
ML100-55-G/103/115	With polarization filter	2500	Red LED	Potentiometer	PNP	Fixed cable		■	
ML100-55-G/95/102	With polarization filter	2500	Red LED	Potentiometer	NPN	M8 connector plug		■	
ML100-55-G/95/103	With polarization filter	2500	Red LED	Potentiometer	PNP	M8 connector plug		■	
ML100-54-F/102/115	With polarization filter	2700	Red LED	Potentiometer	NPN	Fixed cable		■	
ML100-54-F/103/115	With polarization filter	2700	Red LED	Potentiometer	PNP	Fixed cable		■	
ML100-54-F/103/115b	With polarization filter	2700	Red LED	Potentiometer	PNP	Fixed cable with M12 plug		■	
ML100-54-F/25/102/115/154	With polarization filter	2700	Red LED		NPN	Fixed cable		■	
ML100-54-F/25/103/115/154	With polarization filter	2700	Red LED		PNP	Fixed cable		■	
ML100-54-F/25/103/115a/154	With polarization filter	2700	Red LED		PNP	Fixed cable with M8 plug		■	
ML100-54-F/25/103/115b/154	With polarization filter	2700	Red LED		PNP	Fixed cable with M12 plug		■	
ML100-54-F/25/95/102/154	With polarization filter	2700	Red LED		NPN	M8 connector plug		■	
ML100-54-F/25/95/103/154	With polarization filter	2700	Red LED		PNP	M8 connector plug		■	
ML100-54-F/95/102	With polarization filter	2700	Red LED	Potentiometer	NPN	M8 connector plug		■	
ML100-54-F/95/103	With polarization filter	2700	Red LED	Potentiometer	PNP	M8 connector plug		■	
ML100-54/102/115	With polarization filter	3500	Red LED	Potentiometer	NPN	Fixed cable		■	
ML100-54/103/115	With polarization filter	3500	Red LED	Potentiometer	PNP	Fixed cable		■	
ML100-54/59/82a/103/115a/154	With polarization filter	3500	Red LED		PNP	Fixed cable with M8 plug		■	
ML100-54/95/102	With polarization filter	3500	Red LED	Potentiometer	NPN	M8 connector plug		■	
ML100-54/95/103	With polarization filter	3500	Red LED	Potentiometer	PNP	M8 connector plug		■	
ML100-55/102/115	With polarization filter	5000	Red LED	Potentiometer	NPN	Fixed cable		■	
ML100-55/103/115	With polarization filter	5000	Red LED	Potentiometer	PNP	Fixed cable		■	
ML100-55/103/115a	With polarization filter	5000	Red LED	Potentiometer	PNP	Fixed cable with M8 plug	■	■	
ML100-55/103/115b	With polarization filter	5000	Red LED	Potentiometer	PNP	Fixed cable with M12 plug	■	■	
ML100-55/115b/120	With polarization filter	5000	Red LED	Potentiometer	PNP	Fixed cable with M12 plug		■	
ML100-55/25/103/115b/154	With polarization filter	5000	Red LED		PNP	Fixed cable with M12 plug		■	
ML100-55/25/115b/120/154	With polarization filter	5000	Red LED		PNP	Fixed cable with M12 plug		■	
ML100-55/25/95/103/154	With polarization filter	5000	Red LED		PNP	M8 connector plug		■	
ML100-55/33/103/115-5M	With polarization filter	5000	Red LED	Potentiometer	PNP	Fixed cable		■	
ML100-55/33/103/115a	With polarization filter	5000	Red LED	Potentiometer	PNP	Fixed cable with M8 plug		■	
ML100-55/59/103/115	With polarization filter	5000	Red LED	Potentiometer	PNP	Fixed cable		■	
ML100-55/59/103/115a/154	With polarization filter	5000	Red LED		PNP	Fixed cable with M8 plug		■	
ML100-55/59/103/115b	With polarization filter	5000	Red LED	Potentiometer	PNP	Fixed cable with M12 plug		■	
ML100-55/59/95/103	With polarization filter	5000	Red LED	Potentiometer	PNP	M8 connector plug	■	■	
ML100-55/59/95/103/154	With polarization filter	5000	Red LED		PNP	M8 connector plug		■	
ML100-55/59/98/103/154	With polarization filter	5000	Red LED		PNP	M8 connector plug		■	
ML100-55/82a/103/115a	With polarization filter	5000	Red LED	Potentiometer	PNP	Fixed cable with M8 plug	■	■	
ML100-55/95/102	With polarization filter	5000	Red LED	Potentiometer	NPN	M8 connector plug		■	
ML100-55/95/103	With polarization filter	5000	Red LED	Potentiometer	PNP	M8 connector plug	■	■	
ML100-55/98/102	With polarization filter	5000	Red LED	Potentiometer	NPN	M8 connector plug		■	

Model number	Function principle	Detection range [mm]	Light type	Operating elements	Output type	Connection type	EAC	UL	E1
ML100-55/98/103	With polarization filter	5000	Red LED	Potentiometer	PNP	M8 connector plug		■	
ML100-6-IR/102/115	Without polarization filter	5000	Infrared LED	Potentiometer	NPN	Fixed cable		■	■
ML100-6-IR/103/115	Without polarization filter	5000	Infrared LED	Potentiometer	PNP	Fixed cable		■	■
ML100-6-IR/33/102/115	Without polarization filter	5000	Infrared LED	Potentiometer	NPN	Fixed cable		■	■
ML100-6-IR/95/102	Without polarization filter	5000	Infrared LED	Potentiometer	NPN	M8 connector plug		■	■
ML100-6-IR/95/103	Without polarization filter	5000	Infrared LED	Potentiometer	PNP	M8 connector plug		■	■



Accessories	
OFR-70-2	Optical reflective film, 70 mm x 70 mm
OMH-10	Mounting aid
OMH-F10-ML100	Mounting aid
OMH-ML100-01	Mounting aid, mounting bracket
OMH-ML100-03	Mounting bracket for circular profiles \varnothing 12 mm or flat profiles 1.5 mm
OMH-ML100-04	Mounting aid, mounting bracket
OMH-ML100-05	Mounting aid, mounting bracket
OMH-ML100-08	Mounting aid, snap-on mounting
OMH-ML100-09	Mounting bracket for circular profiles \varnothing 12 mm or flat profiles 1.5 mm
OMH-ML100-S1	Mounting bracket

ML100 Series

Diffuse Mode Sensors



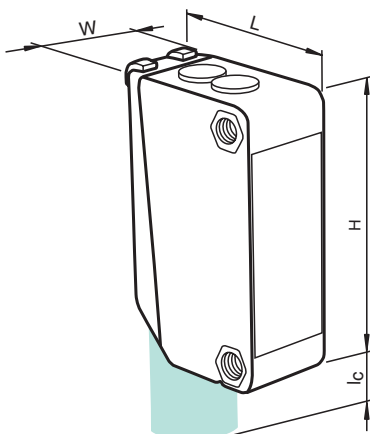
Standard Technical Data

Operating elements	Potentiometer
Voltage type	DC
Operating voltage (min)	10 V
Operating voltage (max)	30 V
Housing length L	20 mm
Housing width W	11 mm
Housing height H	31 mm
UL	■

For detailed data and description, see the datasheet. Further products can be found online at www.pepperl-fuchs.com.

Model number	Function principle	Detection range [mm]	Light type	Output type	Connection type	EAC
ML100-8-HW-350-RT/95/103	With background evaluation	350	Red LED	PNP	M8 connector plug	
ML100-8-H-100-RT/102/115	With background suppression	100	Red LED	NPN	Fixed cable	
ML100-8-H-100-RT/103/115	With background suppression	100	Red LED	PNP	Fixed cable	
ML100-8-H-100-RT/103/115a	With background suppression	100	Red LED	PNP	Fixed cable with M8 plug	
ML100-8-H-100-RT/95/102	With background suppression	100	Red LED	NPN	M8 connector plug	
ML100-8-H-100-RT/95/103	With background suppression	100	Red LED	PNP	M8 connector plug	
ML100-8-H-100/115/120/162	With background suppression	100	Red LED	PNP	Fixed cable	
ML100-8-H-100/115/127/162	With background suppression	100	Red LED	NPN	Fixed cable	
ML100-8-H-100/95/120/162	With background suppression	100	Red LED	PNP	M8 connector plug	
ML100-8-H-100/95/127/162	With background suppression	100	Red LED	NPN	M8 connector plug	
ML100-8-HGU-100-RT/102/115/162	With convergent beam	100	Red LED	NPN	Fixed cable	
ML100-8-HGU-100-RT/103/115/162	With convergent beam	100	Red LED	PNP	Fixed cable	
ML100-8-HGU-100-RT/95/102/162	With convergent beam	100	Red LED	NPN	M8 connector plug	
ML100-8-HGU-100-RT/95/103/162	With convergent beam	100	Red LED	PNP	M8 connector plug	
ML100-8-H-200-IR/102/115	With background suppression	200	Infrared LED	NPN	Fixed cable	
ML100-8-H-200-IR/103/115	With background suppression	200	Infrared LED	PNP	Fixed cable	
ML100-8-H-200-IR/95/102	With background suppression	200	Infrared LED	NPN	M8 connector plug	
ML100-8-H-200-IR/95/103	With background suppression	200	Infrared LED	PNP	M8 connector plug	
ML100-8-W-200-RT/95/103	Energetic	200	Red LED	PNP	M8 connector plug	
ML100-8-W-200-RT/102/115	Energetic	200	Red LED	NPN	Fixed cable	
ML100-8-W-200-RT/102/115b	Energetic	200	Red LED	NPN	Fixed cable with M12 plug	
ML100-8-W-200-RT/103/115	Energetic	200	Red LED	PNP	Fixed cable	
ML100-8-W-200-RT/103/115b	Energetic	200	Red LED	PNP	Fixed cable with M12 plug	
ML100-8-W-200-RT/95/102	Energetic	200	Red LED	NPN	M8 connector plug	
ML100-8-H-350-RT/102/115	With background suppression	350	Red LED	NPN	Fixed cable	
ML100-8-H-350-RT/102/115a	With background suppression	350	Red LED	NPN	Fixed cable with M8 plug	
ML100-8-H-350-RT/103/115	With background suppression	350	Red LED	PNP	Fixed cable	
ML100-8-H-350-RT/103/115a	With background suppression	350	Red LED	PNP	Fixed cable with M8 plug	
ML100-8-H-350-RT/103/115b	With background suppression	350	Red LED	PNP	Fixed cable with M12 plug	
ML100-8-H-350-RT/33/103/115a	With background suppression	350	Red LED	PNP	Fixed cable with M8 plug	
ML100-8-H-350-RT/33/103/115b	With background suppression	350	Red LED	PNP	Fixed cable with M12 plug	
ML100-8-H-350-RT/95/102	With background suppression	350	Red LED	NPN	M8 connector plug	
ML100-8-H-350-RT/95/103	With background suppression	350	Red LED	PNP	M8 connector plug	
ML100-8-H-350-RT/98/102	With background suppression	350	Red LED	NPN	M8 connector plug	
ML100-8-H-350-RT/98/103	With background suppression	350	Red LED	PNP	M8 connector plug	
ML100-8-HW-350-RT/102/115	With background evaluation	350	Red LED	NPN	Fixed cable	
ML100-8-HW-350-RT/103/115	With background evaluation	350	Red LED	PNP	Fixed cable	
ML100-8-HW-350-RT/95/102	With background evaluation	350	Red LED	NPN	M8 connector plug	
ML100-8-1000-RT/102/115	Energetic	1000	Red LED	NPN	Fixed cable	
ML100-8-1000-RT/103/115	Energetic	1000	Red LED	PNP	Fixed cable	

Model number	Function principle	Detection range [mm]	Light type	Output type	Connection type	EAC
ML100-8-1000-RT/103/115a-1M	Energetic	1000	Red LED	PNP	Fixed cable with M8 plug	■
ML100-8-1000-RT/103/115b	Energetic	1000	Red LED	PNP	Fixed cable with M12 plug	■
ML100-8-1000-RT/95/102	Energetic	1000	Red LED	NPN	M8 connector plug	
ML100-8-1000-RT/95/103	Energetic	1000	Red LED	PNP	M8 connector plug	
ML100-8-1000-RT/98/102	Energetic	1000	Red LED	NPN	M8 connector plug	
ML100-8-1000-RT/98/103	Energetic	1000	Red LED	PNP	M8 connector plug	



Accessories

OMH-10	Mounting aid
OMH-F10-ML100	Mounting aid
OMH-ML100-01	Mounting aid, mounting bracket
OMH-ML100-02	Mounting aid, mounting bracket
OMH-ML100-03	Mounting aid for circular profile \varnothing 12 mm or flat profiles 1.5 mm ... 3 mm
OMH-ML100-04	Mounting aid, mounting bracket
OMH-ML100-05	Mounting aid, mounting bracket
OMH-ML100-09	Mounting aid for circular profiles \varnothing 12 mm or flat profiles 1.5 mm ... 3 mm
OMH-ML100-S1	Mounting bracket
V31-GM-2M-PUR	Single-ended female cordset, M8, 4-pin, PUR cable

ML300 Series Thru-Beam Sensors

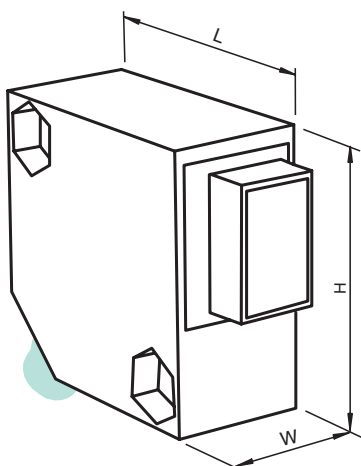


Standard Technical Data

Function principle	Thru-beam sensor
Operating elements	Potentiometer
Voltage type	DC
Operating voltage (min)	10 V
Operating voltage (max)	30 V
Housing length L	15 mm
Housing width W	30 mm
Housing height H	30 mm

For detailed data and description, see the datasheet. Further products can be found online at www.pepperl-fuchs.com.

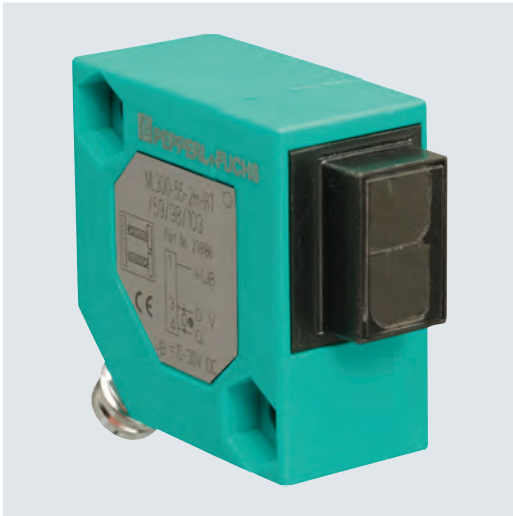
Model number	Detection range [mm]	Light type	Output type	Connection type	EAC
ML300-P-6m-RT/25/102/115	6000	Red LED	NPN	Fixed cable	
ML300-P-6m-RT/25/103/115	6000	Red LED	PNP	Fixed cable	
ML300-P-6m-RT/25/98/102	6000	Red LED	NPN	M8 connector plug	
ML300-P-6m-RT/25/98/103	6000	Red LED	PNP	M8 connector plug	■
ML300-P-6m-RT/59/102/115	6000	Red LED	NPN	Fixed cable	
ML300-P-6m-RT/59/103/115	6000	Red LED	PNP	Fixed cable	
ML300-P-6m-RT/59/98/102	6000	Red LED	NPN	M8 connector plug	
ML300-P-6m-RT/59/98/103	6000	Red LED	PNP	M8 connector plug	
ML300-P-12m-IR/76b/115/120	12000	Infrared LED	PNP	Fixed cable	
ML300-P-12m-IR/76b/115/127	12000	Infrared LED	NPN	Fixed cable	
ML300-P-12m-IR/76b/82d/103/115	12000	Infrared LED	PNP	Fixed cable	
ML300-P-12m-IR/76b/82d/95/103	12000	Infrared LED	PNP	M8 connector plug	
ML300-P-12m-IR/76b/95/120	12000	Infrared LED	PNP	M8 connector plug	
ML300-P-12m-IR/76b/95/127	12000	Infrared LED	NPN	M8 connector plug	



Accessories

OMH-ML300-01	Mounting bracket for ML300 series sensors
OMH-ML300-02	Mounting bracket for ML300 series sensors
V3-GM-2M-PVC	Single-ended female cordset, M8, 3-pin, PVC cable
V3-WM-2M-PUR	Single-ended female cordset, M8, 3-pin, PUR cable
V3-WM-2M-PVC	Single-ended female cordset, M8, 3-pin, PVC cable
V31-GM-2M-PVC	Single-ended female cordset, M8, 4-pin, PVC cable
V31-WM-5M-PUR	Single-ended female cordset, M8, 4-pin, PUR cable

ML300 Series Retroreflective Sensors

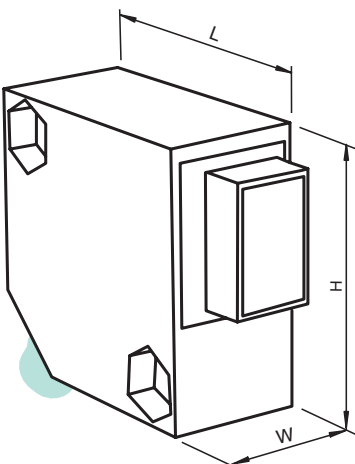


Standard Technical Data

Function principle	Retroreflective sensor with polarization filter
Light type	Red LED
Operating elements	Potentiometer
Voltage type	DC
Operating voltage (min)	10 V
Operating voltage (max)	30 V
Housing length L	15 mm
Housing width W	30 mm
Housing height H	30 mm

For detailed data and description, see the datasheet. Further products can be found online at www.pepperl-fuchs.com.

Model number	Detection range [mm]	Output type	Connection type
ML300-55-2m-RT/25/102/115	2000	NPN	Fixed cable
ML300-55-2m-RT/25/103/115	2000	PNP	Fixed cable
ML300-55-2m-RT/25/98/102	2000	NPN	M8 connector plug
ML300-55-2m-RT/25/98/103	2000	PNP	M8 connector plug
ML300-55-2m-RT/59/102/115	2000	NPN	Fixed cable
ML300-55-2m-RT/59/103/115	2000	PNP	Fixed cable
ML300-55-2m-RT/59/98/102	2000	NPN	M8 connector plug
ML300-55-2m-RT/59/98/103	2000	PNP	M8 connector plug
ML300-55-6m-RT/25/115/120	6000	PNP	Fixed cable
ML300-55-6m-RT/25/115/127	6000	NPN	Fixed cable
ML300-55-6m-RT/25/82d/103/115	6000	PNP	Fixed cable
ML300-55-6m-RT/25/82d/95/103	6000	PNP	M8 connector plug
ML300-55-6m-RT/25/95/120	6000	PNP	M8 connector plug
ML300-55-6m-RT/25/95/127	6000	NPN	M8 connector plug

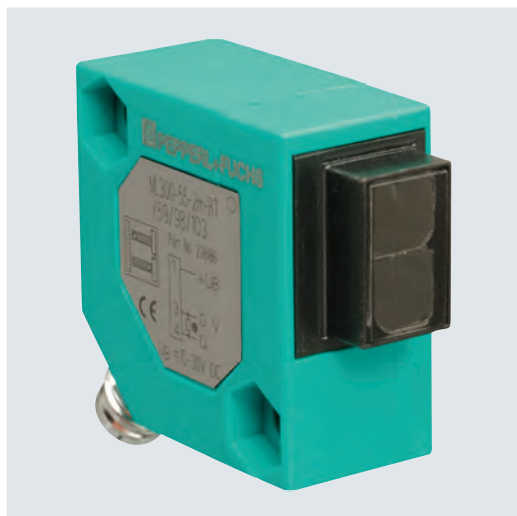


Accessories

OFR-100/100	Optical reflective film, 100 mm x 100 mm
OMH-ML300-01	Mounting bracket
OMH-ML300-02	Mounting bracket on 35 mm DIN mounting rail
REF-C110-2	Round reflector \varnothing 84 mm, mounting hole in center
REF-H50	Rectangular reflector, 51 mm x 61 mm, mounting holes, retaining tab
REF-H60-2	Reflector with mounting holes
REF-H85-2	Rectangular reflector, 84.5 mm x 84.5 mm, mounting holes
V3-GM-2M-PVC	Single-ended female cordset, M8, 3-pin, PVC cable
V3-WM-2M-PVC	Single-ended female cordset, M8, 3-pin, PVC cable
V31-GM-2M-PVC	Single-ended female cordset, M8, 4-pin, PVC cable

ML300 Series

Diffuse Mode Sensors

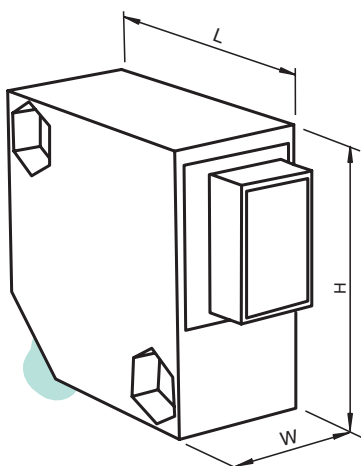


Standard Technical Data

Voltage type	DC
Operating voltage (max)	30 V
Housing length L	15 mm
Housing width W	30 mm
Housing height H	30 mm

For detailed data and description, see the datasheet. Further products can be found online at www.pepper-fuchs.com.

Model number	Function principle	Detection range [mm]	Light type	Operating elements	Output type	UB (min)	Connection type
ML300-8-100-RT/79a/115/122	Energetic	100	Red LED		Analog output	15	Fixed cable
ML300-8-100-RT/79a/95/122	Energetic	100	Red LED		Analog output	15	M8 connector plug
ML300-8-H-200-RT/59/98/103	With background suppression	200	Red LED	Potentiometer	PNP	10	M8 connector plug
ML300-8-H-200-RT/25/115/120	With background suppression	200	Red LED	Potentiometer	PNP	10	Fixed cable
ML300-8-H-200-RT/25/115/127	With background suppression	200	Red LED	Potentiometer	NPN	10	Fixed cable
ML300-8-H-200-RT/25/95/120	With background suppression	200	Red LED	Potentiometer	PNP	10	M8 connector plug
ML300-8-H-200-RT/25/95/127	With background suppression	200	Red LED	Potentiometer	NPN	10	M8 connector plug
ML300-8-H-200-RT/25/98/102	With background suppression	200	Red LED	Potentiometer	NPN	10	M8 connector plug
ML300-8-H-200-RT/25/98/103	With background suppression	200	Red LED	Potentiometer	PNP	10	M8 connector plug
ML300-8-600-RT/59/98/103	Energetic	600	Red LED	Potentiometer	PNP	10	M8 connector plug
ML300-8-600-RT/25/102/115	Energetic	600	Red LED	Potentiometer	NPN	10	Fixed cable
ML300-8-600-RT/25/103/115	Energetic	600	Red LED	Potentiometer	PNP	10	Fixed cable
ML300-8-600-RT/25/98/102	Energetic	600	Red LED	Potentiometer	NPN	10	M8 connector plug
ML300-8-600-RT/25/98/103	Energetic	600	Red LED	Potentiometer	PNP	10	M8 connector plug
ML300-8-600-RT/59/102/115	Energetic	600	Red LED	Potentiometer	NPN	10	Fixed cable
ML300-8-600-RT/59/103/115	Energetic	600	Red LED	Potentiometer	PNP	10	Fixed cable
ML300-8-600-RT/59/98/102	Energetic	600	Red LED	Potentiometer	NPN	10	M8 connector plug
ML300-8-1200-IR/25/115/120	Energetic	1200	Infrared LED	Potentiometer	PNP	10	Fixed cable
ML300-8-1200-IR/25/115/127	Energetic	1200	Infrared LED	Potentiometer	NPN	10	Fixed cable
ML300-8-1200-IR/25/82d/103/115	Energetic	1200	Infrared LED	Potentiometer	PNP	10	Fixed cable
ML300-8-1200-IR/25/82d/95/103	Energetic	1200	Infrared LED	Potentiometer	PNP	10	M8 connector plug
ML300-8-1200-IR/25/95/120	Energetic	1200	Infrared LED	Potentiometer	PNP	10	M8 connector plug
ML300-8-1200-IR/25/95/127	Energetic	1200	Infrared LED	Potentiometer	NPN	10	M8 connector plug



Accessories

OMH-ML300-01	Mounting bracket
OMH-ML300-02	Mounting bracket on 35 mm DIN mounting rail
V3-GM-2M-PVC	Single-ended female cordset, M8, 3-pin, PVC cable
V3-WM-2M-PUR	Single-ended female cordset, M8, 3-pin, PUR cable
V3-WM-2M-PVC	Single-ended female cordset, M8, 3-pin, PVC cable
V31-WM-2M-PUR	Single-ended female cordset, M8, 4-pin, PUR cable
V31-WM-2M-PVC	Single-ended female cordset, M8, 4-pin, PVC cable

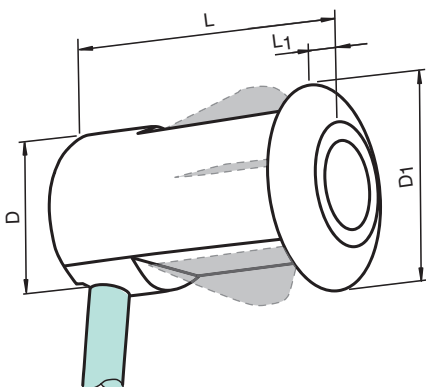
BB10 Series



Standard Technical Data	
Function principle	Thru-beam sensor
Light type	Infrared LED
Voltage type	DC
Operating voltage (min)	10 V
Operating voltage (max)	30 V
Housing length L	22 mm
Housing diameter D	12.5 mm

For detailed data and description, see the datasheet. Further products can be found online at www.pepperl-fuchs.com.

Model number	Detection range [mm]	Output type	Connection type	E1 type approval
BB10-P-F1/25/33/35/102/115-7m	3000	NPN	Fixed cable	■
BB10-P-F1/25/33/35/103/115-7m	3000	PNP	Fixed cable	■
BB10-P-F1/33/35/59/102/115-7m	3000	NPN	Fixed cable	■
BB10-P-F1/33/35/59/103/115-7m	3000	PNP	Fixed cable	■
BB10-P-F2/25/33/35/102/115-7m	3000	NPN	Fixed cable	■
BB10-P-F2/25/33/35/103/115-7m	3000	PNP	Fixed cable	■
BB10-P-F2/33/35/59/102/115-7m	3000	NPN	Fixed cable	■
BB10-P-F2/33/35/59/103/115-7m	3000	PNP	Fixed cable	■
BB10-P/25/33/76b/102/115-7m	6000	NPN	Fixed cable	■
BB10-P/25/33/76b/102/115e	6000	NPN	Fixed cable with JST plug	■
BB10-P/25/33/76b/103/115-10m	6000	PNP	Fixed cable	■
BB10-P/25/33/76b/103/115-7m	6000	PNP	Fixed cable	■
BB10-P/25/33/76b/103/115a	6000	PNP	Fixed cable with M8 plug	■
BB10-P/25/33/76b/103/115e	6000	PNP	Fixed cable with JST plug	■
BB10-P/33/59/76b/102/115-7m	6000	NPN	Fixed cable	■
BB10-P/33/59/76b/103/115-7m	6000	PNP	Fixed cable	■



GLV18 Series Thru-Beam Sensors

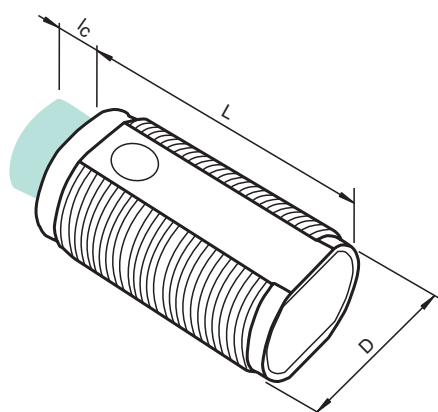


Standard Technical Data

Function principle	Thru-beam sensor
Light type	Red LED
Housing diameter D	18 mm
UL	■

For detailed data and description, see the datasheet. Further products can be found online at www.pepperl-fuchs.com.

Model number	Detection range [mm]	Output type	Voltage type	UB (min)	UB (max)	Connection type	Length L	CCC	EAC
GA18-S/GK18-S/25/115/161	12000	N-MOSFET	AC/DC	20	250	Fixed cable	69	■	■
GA18-S/GK18-S/59/115/161	12000	N-MOSFET	AC/DC	20	250	Fixed cable	69	■	■
GA18-S/GK18-S/59/161/166	12000	N-MOSFET	AC/DC	20	250	Micro AC connector plug	73	■	■
GD18-S/GV18-S/115/120	12000	PNP	DC	10	30	Fixed cable	39.8		
GD18-S/GV18-S/25/102/115	12000	NPN	DC	10	30	Fixed cable	39.8		
GD18-S/GV18-S/59/102/115	12000	NPN	DC	10	30	Fixed cable	39.8		
GD18-S/GV18-S/59/102/159	12000	NPN	DC	10	30	M12 connector plug	43.9		
GD18-S/GV18-S/73/120	12000	PNP	DC	10	30	M12 connector plug	43.9		
GA18/GK18/25/115/161	20000	N-MOSFET	AC/DC	20	250	Fixed cable	56	■	■
GA18/GK18/25/161/166	20000	N-MOSFET	AC/DC	20	250	Micro AC connector plug	60	■	■
GA18/GK18/59/115/161	20000	N-MOSFET	AC/DC	20	250	Fixed cable	56	■	■
GA18/GK18/59/161/166	20000	N-MOSFET	AC/DC	20	250	Micro AC connector plug	60	■	■
GD18/GV18/115/120	20000	PNP	DC	10	30	Fixed cable	39.8		
GD18/GV18/25/102/115	20000	NPN	DC	10	30	Fixed cable	39.8		
GD18/GV18/25/102/159	20000	NPN	DC	10	30	M12 connector plug	43.9		
GD18/GV18/25/103/115	20000	PNP	DC	10	30	Fixed cable	39.8		
GD18/GV18/25/103/159	20000	PNP	DC	10	30	M12 connector plug	43.9		
GD18/GV18/59/102/115	20000	NPN	DC	10	30	Fixed cable	39.8		
GD18/GV18/59/102/159	20000	NPN	DC	10	30	M12 connector plug	43.9		
GD18/GV18/73/120	20000	PNP	DC	10	30	M12 connector plug	43.9		



Accessories

BF 18	Mounting adapter, 18 mm
BF 18-F	Plastic mounting adapter, 18 mm
BF 5-30	Universal mounting bracket for cylindrical sensors with a diameter of 5 mm ... 30 mm
CPZ18B03	Mounting aid with swivel nut



GLV18 Series

Retroreflective Sensors



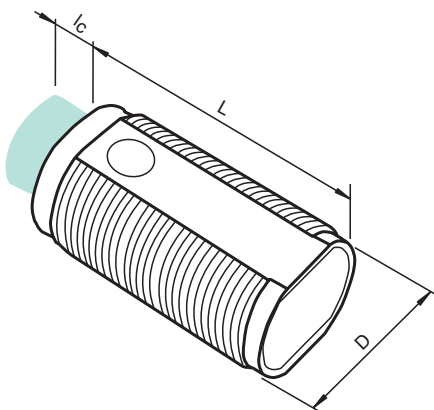
Standard Technical Data

Light type	Red LED
Housing diameter D	18 mm
UL	■

For detailed data and description, see the datasheet. Further products can be found online at www.pepperl-fuchs.com.

Model number	Function principle	Detection range [mm]	Output type	Voltage type	UB (min)	UB (max)	Connection type	Length L	CCC	EAC
GLV18-55-G/115/120	With polarization filter	2500	PNP	DC	10	30	Fixed cable	39.8		
GLV18-55-G/25/102/115	With polarization filter	2500	NPN	DC	10	30	Fixed cable	39.8		
GLV18-55-G/25/102/159	With polarization filter	2500	NPN	DC	10	30	M12 connector plug	43.9		
GLV18-55-G/59/102/115	With polarization filter	2500	NPN	DC	10	30	Fixed cable	39.8		
GLV18-55-G/59/102/159	With polarization filter	2500	NPN	DC	10	30	M12 connector plug	43.9		
GLV18-55-G/73/120	With polarization filter	2500	PNP	DC	10	30	M12 connector plug	43.9		
GLK18-55-S/25/115/161	With polarization filter	3500	N-MOSFET	AC/DC	20	250	Fixed cable	69	■	■
GLK18-55-S/25/161/166	With polarization filter	3500	N-MOSFET	AC/DC	20	250	Micro AC connector plug	73	■	■
GLK18-55-S/59/115/161	With polarization filter	3500	N-MOSFET	AC/DC	20	250	Fixed cable	69	■	■
GLK18-55-S/59/161/166	With polarization filter	3500	N-MOSFET	AC/DC	20	250	Micro AC connector plug	73	■	■
GLK18-55/25/115/161	With polarization filter	4000	N-MOSFET	AC/DC	20	250	Fixed cable	56	■	■
GLK18-55/25/161/166	With polarization filter	4000	N-MOSFET	AC/DC	20	250	Micro AC connector plug	60	■	■
GLK18-55/59/115/161	With polarization filter	4000	N-MOSFET	AC/DC	20	250	Fixed cable	56	■	■
GLK18-55/59/161/166	With polarization filter	4000	N-MOSFET	AC/DC	20	250	Micro AC connector plug	60	■	■
GLK18-6-S/25/115/161	Without polarization filter	5500	N-MOSFET	AC/DC	20	250	Fixed cable	69	■	■
GLK18-6-S/25/161/166	Without polarization filter	5500	N-MOSFET	AC/DC	20	250	Micro AC connector plug	73	■	■
GLK18-6-S/59/115/161	Without polarization filter	5500	N-MOSFET	AC/DC	20	250	Fixed cable	69	■	■
GLK18-6-S/59/161/166	Without polarization filter	5500	N-MOSFET	AC/DC	20	250	Micro AC connector plug	73	■	■
GLK18-6/25/115/161	Without polarization filter	6500	N-MOSFET	AC/DC	20	250	Fixed cable	60	■	■
GLK18-6/25/161/166	Without polarization filter	6500	N-MOSFET	AC/DC	20	250	Micro AC connector plug	60	■	■
GLK18-6/59/115/161	Without polarization filter	6500	N-MOSFET	AC/DC	20	250	Fixed cable	60	■	■
GLK18-6/59/161/166	Without polarization filter	6500	N-MOSFET	AC/DC	20	250	Micro AC connector plug	60	■	■
GLV18-55-S/115/120	With polarization filter	3500	PNP	DC	10	30	Fixed cable	39.8		
GLV18-55-S/25/102/115	With polarization filter	3500	NPN	DC	10	30	Fixed cable	39.8		
GLV18-55-S/25/102/159	With polarization filter	3500	NPN	DC	10	30	M12 connector plug	43.9		
GLV18-55-S/25/103/159	With polarization filter	3500	PNP	DC	10	30	M12 connector plug	43.9		
GLV18-55-S/59/102/115	With polarization filter	3500	NPN	DC	10	30	Fixed cable	39.8		
GLV18-55-S/59/102/159	With polarization filter	3500	NPN	DC	10	30	M12 connector plug	43.9		
GLV18-55-S/73/120	With polarization filter	3500	PNP	DC	10	30	M12 connector plug	43.9		
GLV18-55/115/120	With polarization filter	4000	PNP	DC	10	30	Fixed cable	39.8		
GLV18-55/115b/120	With polarization filter	4000	PNP	DC	10	30	Fixed cable with M12 plug	39.8		
GLV18-55/25/102/115	With polarization filter	4000	NPN	DC	10	30	Fixed cable	39.8		
GLV18-55/25/102/159	With polarization filter	4000	NPN	DC	10	30	M12 connector plug	43.9		
GLV18-55/25/103/115	With polarization filter	4000	PNP	DC	10	30	Fixed cable	39.8		
GLV18-55/25/103/159	With polarization filter	4000	PNP	DC	10	30	M12 connector plug	43.9		
GLV18-55/33/115/120 C=3,5m	With polarization filter	4000	PNP	DC	10	30	Fixed cable	39.8		
GLV18-55/59/102/115	With polarization filter	4000	NPN	DC	10	30	Fixed cable	39.8		
GLV18-55/59/102/159	With polarization filter	4000	NPN	DC	10	30	M12 connector plug	43.9		
GLV18-55/59/103/159	With polarization filter	4000	PNP	DC	10	30	M12 connector plug	43.9		
GLV18-55/73/120	With polarization filter	4000	PNP	DC	10	30	M12 connector plug	43.9		

Model number	Function principle	Detection range [mm]	Output type	Voltage type	UB (min)	UB (max)	Connection type	Length L	CCC	EAC
GLV18-6-S/115/120	Without polarization filter	5500	PNP	DC	10	30	Fixed cable	39.8		
GLV18-6-S/25/102/115	Without polarization filter	5500	NPN	DC	10	30	Fixed cable	39.8		
GLV18-6-S/59/102/115	Without polarization filter	5500	NPN	DC	10	30	Fixed cable	39.8		
GLV18-6-S/59/102/159	Without polarization filter	5500	NPN	DC	10	30	M12 connector plug	43.9		
GLV18-6-S/73/120	Without polarization filter	5500	PNP	DC	10	30	M12 connector plug	43.9		
GLV18-6/115/120	Without polarization filter	6500	PNP	DC	10	30	Fixed cable	39.8		
GLV18-6/25/102/115	Without polarization filter	6500	NPN	DC	10	30	Fixed cable	39.8		
GLV18-6/25/102/159	Without polarization filter	6500	NPN	DC	10	30	M12 connector plug	43.9		
GLV18-6/25/103/115	Without polarization filter	6500	PNP	DC	10	30	Fixed cable	39.8		
GLV18-6/25/103/159	Without polarization filter	6500	PNP	DC	10	30	M12 connector plug	43.9		
GLV18-6/59/102/115	Without polarization filter	6500	NPN	DC	10	30	Fixed cable	39.8		
GLV18-6/59/102/159	Without polarization filter	6500	NPN	DC	10	30	M12 connector plug	43.9		
GLV18-6/73/120	Without polarization filter	6500	PNP	DC	10	30	M12 connector plug	43.9		■



Accessories	
BF 18	Mounting adapter, 18 mm
BF 18-F	Plastic mounting adapter, 18 mm
BF 5-30	Universal mounting bracket for cylindrical sensors with a diameter of 5 mm ... 30 mm
CPZ18B03	Mounting aid with swivel nut
REF-C110-2	Round reflector \varnothing 84 mm, mounting hole in center
REF-H50	Rectangular reflector, 51 mm x 61 mm, mounting holes, retaining tab
V1-G-2M-PUR	Single-ended female cordset, M12, 4-pin, PUR cable
V1-W-2M-PUR	Single-ended female cordset, M12, 4-pin, PUR cable
V11-G-2M-PUR	Single-ended female cordset, M12, 3-pin, PUR cable

GLV18 Series

Diffuse Mode Sensors



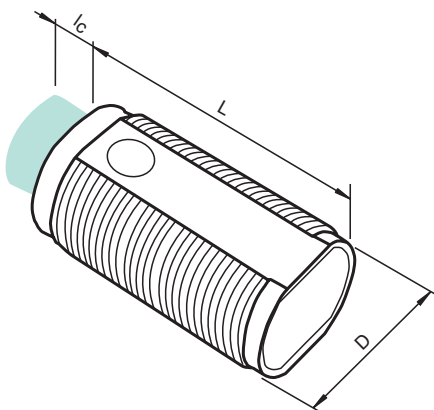
Standard Technical Data

Operating elements	Potentiometer
Housing diameter D	18 mm
UL	■

For detailed data and description, see the datasheet. Further products can be found online at www.pepperl-fuchs.com.

Model number	Function principle	Detection range [mm]	Light type	Output type	Voltage type	UB (min)	UB (max)	Connection type	Length L	CCC	EAC
GLV18-8-H-120/73/120	With background suppression	120	Red LED	PNP	DC	10	30	M12 connector plug	43.9		
GLV18-8-H-120/115/120	With background suppression	120	Red LED	PNP	DC	10	30	Fixed cable	39.8		
GLV18-8-H-120/25/102/115	With background suppression	120	Red LED	NPN	DC	10	30	Fixed cable	39.8		
GLV18-8-H-120/25/102/159	With background suppression	120	Red LED	NPN	DC	10	30	M12 connector plug	43.9		
GLV18-8-H-120/59/102/115	With background suppression	120	Red LED	NPN	DC	10	30	Fixed cable	39.8		
GLV18-8-H-120/59/102/159	With background suppression	120	Red LED	NPN	DC	10	30	M12 connector plug	43.9		
GLK18-8-200-S/25/115/161	Energetic	200	Red LED	N-MOSFET	AC/DC	20	250	Fixed cable	69	■	■
GLK18-8-200-S/25/161/166	Energetic	200	Red LED	N-MOSFET	AC/DC	20	250	Micro AC connector plug	73	■	■
GLK18-8-200-S/59/115/161	Energetic	200	Red LED	N-MOSFET	AC/DC	20	250	Fixed cable	69	■	■
GLK18-8-200/25/115/161	Energetic	200	Red LED	N-MOSFET	AC/DC	20	250	Fixed cable	56	■	■
GLK18-8-200/25/161/166	Energetic	200	Red LED	N-MOSFET	AC/DC	20	250	Micro AC connector plug	60	■	■
GLK18-8-200/59/115/161	Energetic	200	Red LED	N-MOSFET	AC/DC	20	250	Fixed cable	56	■	■
GLK18-8-200/59/161/166	Energetic	200	Red LED	N-MOSFET	AC/DC	20	250	Micro AC connector plug	60	■	■
GLK18-8-400-S/25/115/161	Energetic	400	Red LED	N-MOSFET	AC/DC	20	250	Fixed cable	69	■	■
GLK18-8-400-S/25/161/166	Energetic	400	Red LED	N-MOSFET	AC/DC	20	250	Micro AC connector plug	73	■	■
GLK18-8-450/25/115/161	Energetic	450	Red LED	N-MOSFET	AC/DC	20	250	Fixed cable	56	■	■
GLK18-8-450/25/161/166	Energetic	450	Red LED	N-MOSFET	AC/DC	20	250	Micro AC connector plug	60	■	■
GLK18-8-450/59/115/161	Energetic	450	Red LED	N-MOSFET	AC/DC	20	250	Fixed cable	56	■	■
GLK18-8-450/59/161/166	Energetic	450	Red LED	N-MOSFET	AC/DC	20	250	Micro AC connector plug	60	■	■
GLV18-8-200-S/115/120	Energetic	200	Red LED	PNP	DC	10	30	Fixed cable	53.2		
GLV18-8-200-S/25/102/115	Energetic	200	Red LED	NPN	DC	10	30	Fixed cable	53.2		
GLV18-8-200-S/25/102/159	Energetic	200	Red LED	NPN	DC	10	30	M12 connector plug	57.3		
GLV18-8-200-S/73/120	Energetic	200	Red LED	PNP	DC	10	30	M12 connector plug	57.3		
GLV18-8-200/115/120	Energetic	200	Red LED	PNP	DC	10	30	Fixed cable	39.8		
GLV18-8-200/25/102/115	Energetic	200	Red LED	NPN	DC	10	30	Fixed cable	39.8		
GLV18-8-200/25/102/159	Energetic	200	Red LED	NPN	DC	10	30	M12 connector plug	43.9		
GLV18-8-200/25/33/102/115 K=5m	Energetic	200	Red LED	NPN	DC	10	30	Fixed cable	39.8		
GLV18-8-200/33/115/120 C=5m	Energetic	200	Red LED	PNP	DC	10	30	Fixed cable	39.8		
GLV18-8-200/59/102/115	Energetic	200	Red LED	NPN	DC	10	30	Fixed cable	39.8		
GLV18-8-200/59/103/115	Energetic	200	Red LED	PNP	DC	10	30	Fixed cable	39.8		
GLV18-8-200/59/103/159	Energetic	200	Red LED	PNP	DC	10	30	M12 connector plug	43.9		
GLV18-8-200/73/120	Energetic	200	Red LED	PNP	DC	10	30	M12 connector plug	43.9		
GLV18-8-400-S/115/120	Energetic	400	Red LED	PNP	DC	10	30	Fixed cable	53.2		
GLV18-8-400-S/25/102/115	Energetic	400	Red LED	NPN	DC	10	30	Fixed cable	53.2		
GLV18-8-400-S/25/102/159	Energetic	400	Red LED	NPN	DC	10	30	M12 connector plug	57.3		
GLV18-8-400-S/59/102/159	Energetic	400	Red LED	NPN	DC	10	30	M12 connector plug	57.3		
GLV18-8-400-S/73/120	Energetic	400	Red LED	PNP	DC	10	30	M12 connector plug	57.3		
GLV18-8-450/115/120	Energetic	450	Red LED	PNP	DC	10	30	Fixed cable	39.8		

Model number	Function principle	Detection range [mm]	Light type	Output type	Voltage type	UB (min)	UB (max)	Connection type	Length L	CCC	EAC
GLV18-8-450/25/102/115	Energetic	450	Red LED	NPN	DC	10	30	Fixed cable	39.8		
GLV18-8-450/25/102/159	Energetic	450	Red LED	NPN	DC	10	30	M12 connector plug	43.9		
GLV18-8-450/59/102/115	Energetic	450	Red LED	NPN	DC	10	30	Fixed cable	39.8		
GLV18-8-450/59/102/159	Energetic	450	Red LED	NPN	DC	10	30	M12 connector plug	43.9		
GLV18-8-450/59/103/115	Energetic	450	Red LED	PNP	DC	10	30	Fixed cable	39.8		
GLV18-8-450/59/103/159	Energetic	450	Red LED	PNP	DC	10	30	M12 connector plug	43.9		
GLV18-8-450/73/120	Energetic	450	Red LED	PNP	DC	10	30	M12 connector plug	43.9		■
GLV18-8-600-IR/115/120	Energetic	600	Infrared LED	PNP	DC	10	30	Fixed cable	39.8		
GLV18-8-600-IR/25/102/115	Energetic	600	Infrared LED	NPN	DC	10	30	Fixed cable	39.8		
GLV18-8-600-IR/25/102/159	Energetic	600	Infrared LED	NPN	DC	10	30	M12 connector plug	43.9		
GLV18-8-600-IR/73/120	Energetic	600	Infrared LED	PNP	DC	10	30	M12 connector plug	43.9		



Accessories	
BF 18	Mounting adapter, 18 mm
BF 18-F	Plastic mounting adapter, 18 mm
BF 5-30	Universal mounting bracket for cylindrical sensors with a diameter of 5 mm ... 30 mm
CPZ18B03	Mounting aid with swivel nut
V1-G-2M-PUR	Single-ended female cordset, M12, 4-pin, PUR cable
V1-W-2M-PUR	Single-ended female cordset, M12, 4-pin, PUR cable
V11-G-2M-PUR	Single-ended female cordset, M12, 3-pin, PUR cable

12GM Series

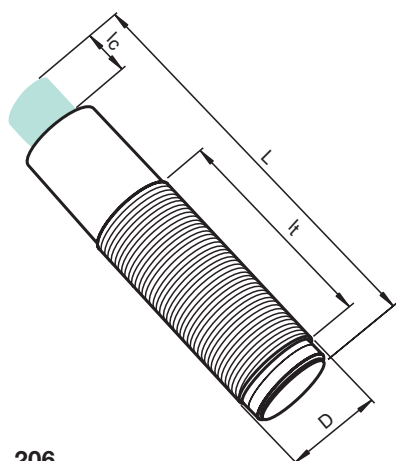


Standard Technical Data

Light type	Red LED
Operating elements	Potentiometer
Voltage type	DC
Operating voltage (min)	10 V
Operating voltage (max)	30 V
Housing diameter D	12 mm
UL	■

For detailed data and description, see the datasheet. Further products can be found online at www.pepperl-fuchs.com.

Model number	Function principle	Detection range [mm]	Output type	Connection type	Length L
OBD300-12GM40-E4	Diffuse mode sensor, energetic	300	NPN	Fixed cable	45
OBD300-12GM40-E4-V1	Diffuse mode sensor, energetic	300	NPN	M12 connector plug	55
OBD300-12GM40-E5	Diffuse mode sensor, energetic	300	PNP	Fixed cable	45
OBD300-12GM40-E5-V1	Diffuse mode sensor, energetic	300	PNP	M12 connector plug	55
OBR2500-12GM40-E5-V1	Retroreflective sensor with polarization filter	2500	PNP	M12 connector plug	55
OBR2500-12GM40-E4	Retroreflective sensor with polarization filter	2500	NPN	Fixed cable	45
OBR2500-12GM40-E4-V1	Retroreflective sensor with polarization filter	2500	NPN	M12 connector plug	55
OBR2500-12GM40-E5	Retroreflective sensor with polarization filter	2500	PNP	Fixed cable	45
OBE6000-12GM40-SE4	Thru-beam sensor	6000	NPN	Fixed cable	45
OBE6000-12GM40-SE4-V1	Thru-beam sensor	6000	NPN	M12 connector plug	55
OBE6000-12GM40-SE5	Thru-beam sensor	6000	PNP	Fixed cable	45
OBE6000-12GM40-SE5-V1	Thru-beam sensor	6000	PNP	M12 connector plug	55



Accessories

BF 12	Mounting adapter, 12 mm
BF 12-F	Plastic mounting adapter, 12 mm
BF 5-30	Universal mounting bracket for cylindrical sensors with a diameter of 5 mm ... 30 mm
REF-H50	Rectangular reflector, 51 mm x 61 mm, mounting holes, retaining tab
REF-H85-2	Rectangular reflector, 84.5 mm x 84.5 mm, mounting holes
REF-VR10	Rectangular reflector, 60 mm x 19 mm, mounting holes
V1-W-2M-PUR	Single-ended female cordset, M12, 4-pin, PUR cable

18GM Series

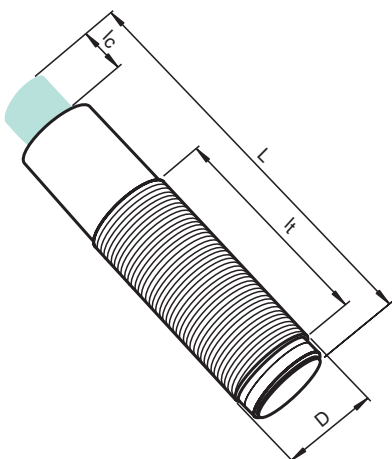


Standard Technical Data

Operating elements	Potentiometer
Voltage type	DC
Operating voltage (min)	10 V
Operating voltage (max)	30 V
Housing length L	60 mm
Housing diameter D	18 mm
UL	■

For detailed data and description, see the datasheet. Further products can be found online at www.pepperl-fuchs.com.

Model number	Function principle	Detection range [mm]	Light type	Output type	Connection type	EAC
OBT200-18GM60-E4	Diffuse mode sensor, energetic	200	Infrared LED	NPN	Fixed cable	
OBT200-18GM60-E4-V1	Diffuse mode sensor, energetic	200	Infrared LED	NPN	M12 connector plug	
OBT200-18GM60-E5	Diffuse mode sensor, energetic	200	Infrared LED	PNP	Fixed cable	
OBT200-18GM60-E5-V1	Diffuse mode sensor, energetic	200	Infrared LED	PNP	M12 connector plug	
OBT500-18GM60-E4	Diffuse mode sensor, energetic	500	Infrared LED	NPN	Fixed cable	
OBT500-18GM60-E4-V1	Diffuse mode sensor, energetic	500	Infrared LED	NPN	M12 connector plug	
OBT500-18GM60-E5	Diffuse mode sensor, energetic	500	Infrared LED	PNP	Fixed cable	
OBT500-18GM60-E5-V1	Diffuse mode sensor, energetic	500	Infrared LED	PNP	M12 connector plug	■
OBS4000-18GM60-E5-V1	Retroreflective sensor with polarization filter	4000	Red LED	PNP	M12 connector plug	■
OBS4000-18GM60-E4	Retroreflective sensor with polarization filter	4000	Red LED	NPN	Fixed cable	
OBS4000-18GM60-E4-V1	Retroreflective sensor with polarization filter	4000	Red LED	NPN	M12 connector plug	
OBS4000-18GM60-E5	Retroreflective sensor with polarization filter	4000	Red LED	PNP	Fixed cable	
OBE10M-18GM60-RT-SE4	Thru-beam sensor	10000	Red LED	NPN	Fixed cable	
OBE10M-18GM60-RT-SE4-V1	Thru-beam sensor	10000	Red LED	NPN	M12 connector plug	
OBE10M-18GM60-RT-SE5-V1	Thru-beam sensor	10000	Red LED	PNP	M12 connector plug	
OBE10M-18GM60-SE4	Thru-beam sensor	10000	Infrared LED	NPN	Fixed cable	
OBE10M-18GM60-SE4-V1	Thru-beam sensor	10000	Infrared LED	NPN	M12 connector plug	
OBE10M-18GM60-SE5	Thru-beam sensor	10000	Infrared LED	PNP	Fixed cable	
OBE10M-18GM60-SE5-V1	Thru-beam sensor	10000	Infrared LED	PNP	M12 connector plug	



Accessories

BF 18	Mounting adapter, 18 mm
BF 18-F	Plastic mounting adapter, 18 mm
BF 5-30	Universal mounting bracket for cylindrical sensors with a diameter of 5 mm ... 30 mm
CPZ18B03	Mounting aid with swivel nut
V1-G-2M-PUR	Single-ended female cordset, M12, 4-pin, PUR cable
V1-W-2M-PUR	Single-ended female cordset, M12, 4-pin, PUR cable

VL18 Series

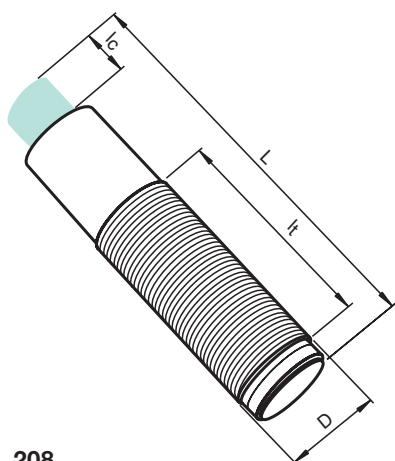


Standard Technical Data

Voltage type	DC
Operating voltage (min)	10 V
Operating voltage (max)	30 V
Connection type	M12 connector plug
Housing diameter D	18 mm

For detailed data and description, see the datasheet. Further products can be found online at www.pepperl-fuchs.com.

Model number	Function principle	Detection range [mm]	Light type	Operating elements	Output type	Length L	UL
VT18-8-H-120-M/40a/65b/118/128	Triangulation sensor with background suppression	120	Red LED	Potentiometer	1 x push-pull	65	■
VT18-8-H-120-M/30/40a/65b/118	Triangulation sensor with background suppression	120	Red LED	Potentiometer	NPN	65	■
VT18-8-H-120-M/32/40a/65b/118	Triangulation sensor with background suppression	120	Red LED	Potentiometer	PNP	65	■
VT18-8-400-M/40a/118/128	Diffuse mode sensor, energetic	400	Red LED	Potentiometer	1 x push-pull	65	■
VT18-8-400-M-LAS/30/40a/118	Diffuse mode sensor, energetic	400	Red laser diode	Potentiometer	NPN	65	■
VT18-8-400-M-LAS/32/40a/118	Diffuse mode sensor, energetic	400	Red laser diode	Potentiometer	PNP	65	■
VT18-8-400-M-LAS/40a/118/128	Diffuse mode sensor, energetic	400	Red laser diode	Potentiometer	1 x push-pull	65	■
VT18-8-400-M/30/40a/118	Diffuse mode sensor, energetic	400	Red LED	Potentiometer	NPN	65	■
VT18-8-400-M/32/40a/118	Diffuse mode sensor, energetic	400	Red LED	Potentiometer	PNP	65	■
VL18-54-MS/40a/118/128	Retroreflective sensor with polarization filter	3500	Red LED	Potentiometer	1 x push-pull	65	■
VL18-54-M/32/40a/82b/118	Retroreflective sensor with polarization filter	3500	Red LED	Potentiometer	PNP	65	■
VL18-54-M/40a/118/128	Retroreflective sensor with polarization filter	3500	Red LED	Potentiometer	1 x push-pull	65	■
VL18-54-MS/32/40a/82b/118	Retroreflective sensor with polarization filter	3500	Red LED	Potentiometer	PNP	65	■
E18-LAS/EV18-LAS/25/32/76a/92	Thru-beam sensor	10000	Red laser diode		PNP	80	
E18/EV18-LAS/32/59/76a/92	Thru-beam sensor	10000	Red laser diode		PNP	80	
VL18-54-M-LAS/30/40a/118/126b	Retroreflective sensor with polarization filter	18000	Red laser diode	Potentiometer	NPN	65	■
VL18-54-M-LAS/32/40a/82b/118	Retroreflective sensor with polarization filter	18000	Red laser diode	Potentiometer	PNP	65	■
VL18-54-M-LAS/40a/118/128	Retroreflective sensor with polarization filter	18000	Red laser diode	Potentiometer	1 x push-pull	65	■
VS18/VSE18-M-LAS/32/40a/76a/82b/118	Thru-beam sensor	60000	Red laser diode	Potentiometer	PNP	65	■
VS18/VSE18-M-LAS/40a/76a/118/128	Thru-beam sensor	60000	Red laser diode	Potentiometer	1 x push-pull	65	■



Accessories

BF 18	Mounting adapter, 18 mm
BF 18-F	Plastic mounting adapter, 18 mm
BF 5-30	Universal mounting bracket for cylindrical sensors with a diameter of 5 mm ... 30 mm
OMH-VL18	Mounting aid with swivel nut
V1-G-2M-PUR	Single-ended female cordset, M12, 4-pin, PUR cable
V1-W-2M-PUR	Single-ended female cordset, M12, 4-pin, PUR cable