



Special Features

- Laser welded flush diaphragm
- Quick connect / disconnect for easy cleaning
- Suitable for food, dairy & pharmaceutical industries

Application

- Diaphragm seals are provided in the instruments like pressure gauges, switches, transmitters in order to isolate the sensing element from the main service due to its corrosive, viscous and sedimented nature and to avoid clogging and solidification. These seals are used in hygienic applications where purity in process is essential - typically in food, dairy beverages and pharmaceutical industries



GOST

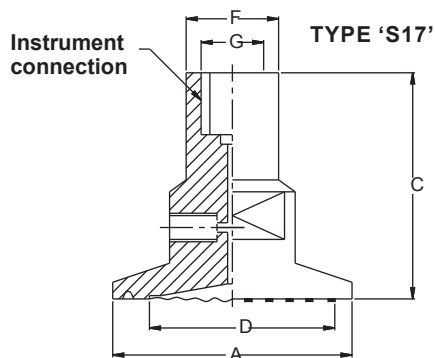
Specifications

Standard Version

(Compatible model : AE, AH, AI, AL (NS 100 mm & 150 mm) & BE)

Seal type & Range	: S16 = -1 to 0 & 0 to 40 kg/cm ² (Standard) (Suitable for NS 100 mm & above)
	: S17 = -1 to 0 & 0 to 40 kg/cm ² (Dry seal only) (Suitable for NS 63 mm & 80 mm)
Process temperature	: 10°C to 150°C or as per fill fluid
Instrument connection	: S16 = 1/2" BSP (F)
	: S17 = 1/4" BSP (F)
Process connection	: 1 1/2" SANITARY SEAL (without clamp & gasket)
Mounting	: Direct (without capillary)
Diaphragm	: AISI 316L SS
Body	: AISI 316 SS
Fill Fluid	: Glycerin

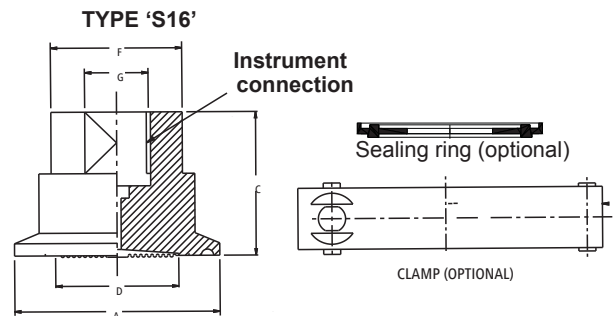
Dimensions - Standard Version



Size	A	C	D	F	G	Approx. Wt. #
1.5"	50.5	48	32	19.50	1/4" BSP (F)	250.0
2"	64	48	40	19.50	1/4" BSP (F)	400.0
2.5"	77.5	48	52	19.50	1/4" BSP (F)	600.0

(# Weight in grams with box for Standard Model.)

Notes : • Drawings are not to scale. • All Dimensions are in mm.



Size	A	C	D	F	G	Approx. Wt. #
1"	50.50	35	22	29.5	1/2" BSP (F)	200.0
1 1/2"	50.50	35	32	38.5	1/2" BSP (F)	200.0
2"	64	35	40	51.5	1/2" BSP (F)	350.0
2 1/2"	77.5	35	52	64	1/2" BSP (F)	500.0

(# Weight in grams with box for Standard Model.)

How to Order	Example
Basic Model	DH
Code	
Optional Extras	
[It is recommended that the size of the end connection of bottom mating part should be equivalent or greater than ½" Pipe.]	
Seal Type	
S16 -1 to 0 & 0 to 40 kg/cm ² (Standard) S17 -1 to 0 & 0 to 40 kg/cm ² (Dry seal only)	XXX
Sanitary Seal	
YM 1" Sanitary Seal IN AISI 316 SS	
YN 1½" Sanitary Seal IN AISI 316 SS (Standard)	XX
YO 2" Sanitary Seal IN AISI 316 SS	
YP 2½" Sanitary Seal IN AISI 316 SS	
Instrument Connection (* For Dry Seal Type: S17)	
VO ¼" NPT (F) VN ¼" BSP (F) (Standard)* VP 3/8" BSP (F)	XX
VM ½" NPT (F) VL ½" BSP (F) (Standard)	
Body	
CL AISI 316 SS (Standard) CM AISI 316L SS	XX
Bottom Mating Part	
KF 1" Sanitary Seal In AISI 316 SS KC 2" Sanitary Seal In AISI 316 SS	XX
KB 1½" Sanitary Seal In AISI 316 SS KD 2½" Sanitary Seal In AISI 316 SS	
End Connection Of Bottom Mating Part	
4ZB ½" PIPE, Sch. 40 (Plain End) 5ZB ¾" PIPE, Sch. 40 (Plain End)	XX
Note : Threaded Connections Are Available On Request. Please Consult Factory.	
Diaphragm	
UJ AISI 316L (Standard)	XX
Filling Fluids	
UF Glycerin [10 to 150°C / 50 to 302°F] (Standard) UG Liquid Paraffin [10 To 200°C / 50 To 392°F]	XX
UV Food Grade Oil [-20 to 140°C / -4 to 284°F]	
Clamp	
ZN 1" Clamp AISI 304 SS ZP 2" CLAMP AISI 304 SS	XX
ZO 1½" Clamp AISI 304 SS ZQ 2½" CLAMP AISI 304 SS	
Gasket (sealing Ring)	
FU 1" Silicon Gasket GW 1" PTFE Gasket	XX
FX 1½" Silicon Gasket GX 1½" PTFE Gasket	
FY 2" Silicon Gasket GY 2" PTFE Gasket	
FZ 2½" Silicon Gasket GZ 2½" PTFE Gasket	
Remote Mounting (with Capillary Of Max. Up To 2 Mtrs.)	
Specify In Meters (e.g. 1.5 = 1.5 METERS 2.0 = 2 METERS)	
Capillary	1Mtr.
PE AISI 304 SS PG AISI 316 SS	XX
Capillary Covered With Armour (applicable With PE Or PG If Selected)	
PF AISI 304 SS PH AISI 316 SS PI PVC (Ambient Temp. Max. 60°C)	XX
Other Options	
TB Helium Leak Test TC Dry Seal Only Without Instrument GH Material Test Certificates*	XX
* Material Test Certificates Will Be Provided For Wetted Parts Only With Chemical Composition Testing. For Others, Please Consult Factory.	
Ordering Example: DH . XXX . XX . XX . XX . XX . XX . XX . XX . XX . 1Mtr . XX . XX . XX	
For Other Optional Items, Please Contact Factory For Delivery And Minimum Quantity Of Order.	
Note : Specifications and dimensions given in this product catalogue represents the state of engineering at the time of printing. Modifications may take place and materials specified may be replaced by others without prior notice.	