

AQUAMET®



Woltmann Water Meters

50mm - 500mm (2" - 20")



AQUAMET®

A removable mechanism type Woltmann Water Meter with magnetic drive and vacuum sealed register.

STANDARDS

Conforms to ISO 4064, Class-B.

APPLICATION

Water Distribution Network
Industrial / Commercial Water Supply

FEATURES

- Leak proof and sealed totaliser
- Magnetic drive
- Repairable without interrupting water supply
- Removable mechanism ensures easy maintenance
- Totaliser protected by metallic cover.
- Reliable sensitive metrology and low pressure loss..

OPTIONS

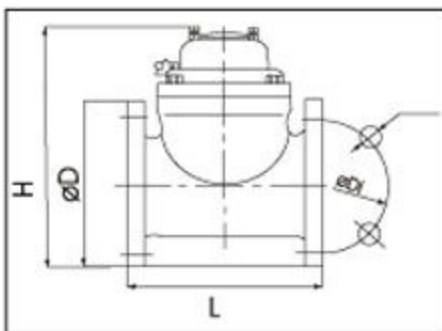
- Hot water meters (<90°C)
- Pulse output water meters.
- Zenner Water Meter with EEC Mark
- Water Meters Suitable for ETP/Dirty Water
- Dirt Box (50mm to 500 mm)

METROLOGICAL PERFORMANCE:

Size of meter		Acc(%)	50 mm	65 mm	80 mm	100mm	150mm	200mm	250mm	300mm	400mm	500mm
Minimum flow Q min	m ³ /h	±5	0.45	0.75	1.20	1.80	4.50	7.50	12.00	18.00	30.00	45.00
Transitional flow Qt	m ³ /h	±2	3	5	8	12	30	50	80	120	200	300
Nominal flow Qn	m ³ /h	±2	15	25	40	60	150	250	400	600	1000	1500
Maximum flow Q max	m ³ /h	±2	30	50	80	120	300	500	800	1200	2000	3000
Minimum Reading	m ³		0.0002	0.0002	0.0002	0.0002	0.002	0.002	0.002	0.002	0.1	0.1
Maximum Reading	m ³		999999	999999	999999	999999	9999999	9999999	9999999	9999999	9999999	9999999
Temperature Suitability	°C		50°C									
Working Pressure	Mpa		≤1.6 MPa									

DIMENSIONS

Size of meter	50 mm	65 mm	80 mm	100 mm	150 mm	200 mm	250 mm	300 mm	400 mm	500 mm
Length (L) mm	200	200	225	250	300	350	450	500	600	800
Height (H) mm	232	242	252	262	325	352	470	492	631	740
Weight kg	10.6	12.6	15.4	18.6	31.6	46	94	114	199	340



FLANGE DETAILS

Size of meter	50 mm	65 mm	80 mm	100 mm	150 mm	200 mm	250 mm	300 mm	400 mm	500 mm
Bolt Circle (øD) mm	125	145	160	180	240	295	355	410	515	620
Dia of Flange hole	16	16	19	19	23	23	28	28	24	24
Number of Bolts	4	4	8	8	8	8	12	12	16	20
Flange outer dia (øD) mm	165	185	200	220	285	340	395	445	565	670