

Multi Jet Water Meter Class B (Prime Series)



Features:

- MultiJet jet, Super dry, straight reading type, hermetically sealed water meter with magnetic driven totaliser.
- Standard: it complies with is:779/94 and class b of iso:4064
- Brass body and coupling nut nipple
- Plastic Cap and Ring
- Sealed against tampering
- Leakproof, totally dry
- Measuring unit is Kilolitres
- Maximum reading 99999.9999
- IP68 Protection Class

Working Condition:

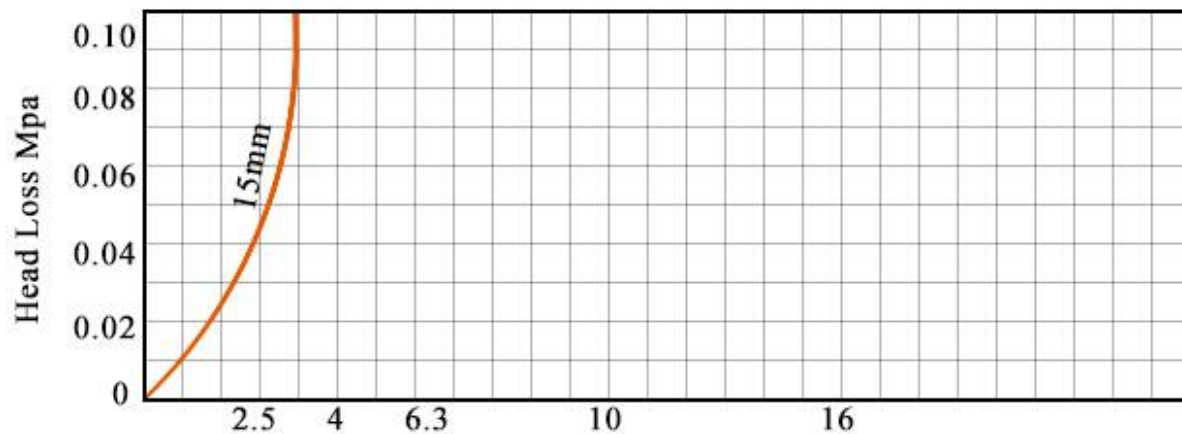
- Water temperature $\leq 45^{\circ}\text{C}$, Hot water meter $\leq 90^{\circ}\text{C}$
- Water pressure $\leq 1\text{ MPa}$ (PN 1.6 MPa/16 bar)
- Pressure loss $< 0.1\text{ Pa}$

Belanto Water Meters

Main Technical Data:

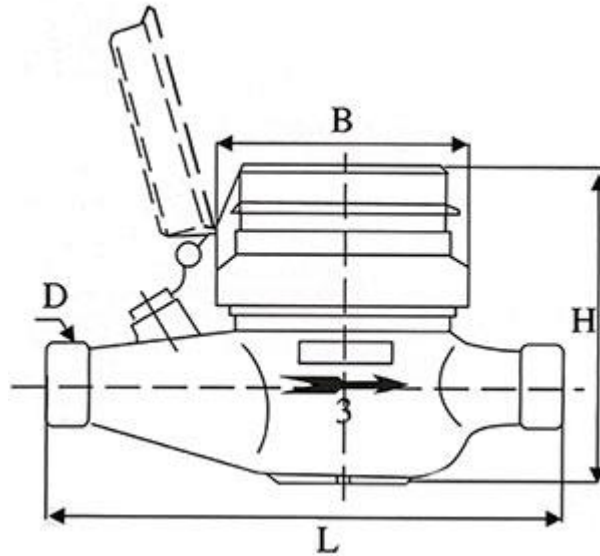
- Dry dial, Vacuum sealed to keep clean reading for long time
- Available for cold water 0 ~ 30°C and hot water 30°C ~ 90°C
- Magnetic transmission
- Antimagnetic type
- 360° Rotating dial
- Remote transmission device can be added on request
- Pulse output 10L/Pulse on request

Head Loss Curve:



Belanto Water Meters

Dimension:



Type	Size (mm)	Length (mm) L	Width (mm) W	Length including nipple ± 5%	Height H	Connecting Thread D
Multi Jet	15 MM	165	81	250	100	3/4"