

Techtrol RF Admittance Level Switch - RFA

Consists of a Sensing Probe with Electronic Control unit Integral with the Probe. The sensing probe comprises of 3 elements viz. Sensing rod, SS Coatguard Shield and PTFE Insulation for powders & slurries and Ceramic Insulation for heavy duty applications. The combination of electronics and coat guard technique provides immunity against material built-up on the probe & container wall.

Salient Features :

- High reliability, as coat guard technique ignores material built-up on the probe.
- Ease to calibrate & install
- Suits highly dusty environment
- Field selectable operation logic to configure either High or Low level switching
- Economic solution for critical applications

Specifications :

Sensing Probe:

| | |
|--------------------|--|
| Probe Type | : Standard or Heavy Duty |
| Std. Probe Length | : 300 mm (Standard), 350 mm (Heavy Duty) |
| Max Probe Length | : upto 1000 mm (Rigid), upto 3000 mm (Flexible) |
| Sense Rod | : SS304 |
| Coat Guard Shield | : SS304 |
| Extnd Grounding | : GI or SS304 |
| Insulation | : a)PTFE -150°C (std), 200°C (High temp with standoff) b)Ceramic-150°C (std), ≥200°C (High temp with standoff) |
| Max. Optg. Temp | : upto 150°C (Std/heavy duty probe) upto 200°C Temp Standoff (Std/heavy duty probe) upto 450°C Temp Standoff (Heavy duty, Two Part) upto 600°C with Radiating Fins (Heavy duty, Two Part) |
| Mounting | : Top/ Side |
| Process Connection | : Screwed- 1½" BSP(M), Flanged- 1½" NB ANSI 150# |
| Enclosure | : Cast Al IP66 x PG 13.5 Cable Gland (Polyamide) or Cast Al Exd Gr. IIB x 1/2" NPT Cable Gland (Brass) |

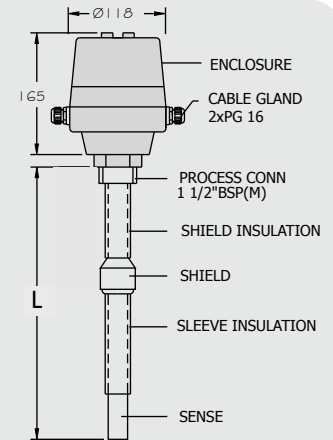
Control Unit :

| | |
|----------------------------|---|
| Enclosure x Cable Entry | : 1) Cast Al IP66 (Integral or Two Part Sys) x 2 nos, PG 13.5 Cable Gland (Polyamide) : 2) Cast Al. Exd IIB (Two Part Sys) x 2 nos, ½" NPT Cable Gland (Brass) |
| Ambient Temp. | : 0°C to 60°C |
| Supply | : 110 or 230 VAC, 50 Hz (±10%) or 24 VDC |
| Power | : 2 VA |
| Output | : Relay x DPDT, 5A, 250 VAC (Resistive Load) |
| Switching Delay (optional) | : Continuously adjustable from 2 to 20 secs probe free and covered |
| Safety Operation | : Field selectable switch (FSL/FSH) for min or max switching |
| LED Display | : Green- Normal; Red- Alarm; Yellow- Power On |
| Signal Cable | : 2 core, PVC insulated, low capacitance, co-axial cable with additional drain wire. |

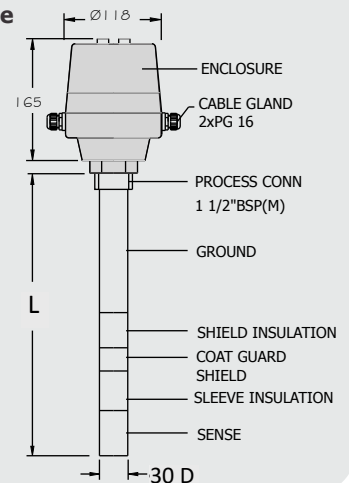
Refer Separate Catalog of Disc Type RF Admittance 'DRFA' for Blocked Chute Detection



Standard Probe with Integral Switching Unit



Heavy Duty Probe with Integral Switching Unit



Applications :

Cement, Sand, Lime, Soda Ash, Fly Ash, Coal Powder, Talcum Powder, Milk/ Chocolate Powder, Coffee, Sugar, Salt, Resin Powder & Pellets, Grain & Grain Slurry, Grain Flour, Paddy Husk, Corn Stalk, Molasses, Fruit Pulp, Tomato Paste, Butter, Fish Food, Sludge, Chemical/ Solvent Slurry, Molten Naptha, Sewage, Cream/Lotion, Alumium Chips, Clinker.

Model Identification :

| | | | | | | | | |
|---|-------|---|---|---|---|---|---|--------|
| | RFA - | | | | | | | x L mm |
| System | | | | | | | | |
| Integral (Standalone) | I | | | | | | | |
| Two Part | T | | | | | | | |
| Probe type | | | | | | | | |
| SS304 Rigid standard | | 1 | | | | | | |
| SS304 Rigid heavy duty | | 2 | | | | | | |
| GI Flexible standard | | 3 | | | | | | |
| GI Flexible heavy duty | | 4 | | | | | | |
| SS304 Flexible standard | | 5 | | | | | | |
| SS304 Flexible heavy duty | | 6 | | | | | | |
| Others | | 0 | | | | | | |
| | | | | | | | | |
| Probe Enclosure x Control Unit Enclosure | | | | | | | | |
| Cast Al IP66 (Syt I) | | | 1 | | | | | |
| Cast Al IP66 x Cast Al IP66 (Syt T) | | | 2 | | | | | |
| Cast Al Exd Gr IIB x Cast Al IP66 (Syt T) | | | 3 | | | | | |
| Others | | | 0 | | | | | |
| Process Connection | | | | | | | | |
| SS304 Screwed 1-1/2" BSP (M) | | | | 1 | | | | |
| SS304 Flanged 1-1/2" NB, ANSI 150# | | | | 2 | | | | |
| Others | | | | 0 | | | | |
| | | | | | | | | |
| Extended Grounding | | | | | | | | |
| Without | | | | | W | | | |
| GI | | | | | G | | | |
| SS304 | | | | | N | | | |
| Max. Operating Temperature | | | | | | | | |
| upto 150°C Standard | | | | | | R | | |
| upto 200 °C with Temp Standoff | | | | | | T | | |
| upto 450 °C with Temp Standoff (Two Part & Rigid Heavy Duty Probe) | | | | | | H | | |
| upto 600 °C with Radiating Fins (Two Part & Rigid Heavy Duty Probe) | | | | | | V | | |
| Supply | | | | | | | | |
| 110 VAC | | | | | | | 1 | |
| 230 VAC | | | | | | | 2 | |
| 24 VDC | | | | | | | 3 | |

Ordering Information : Model No, Operating Temperature, Service Medium x Bulk Density x Insertion Length

All dimensions in mm except specified

Pune Techtrol Pvt Ltd [CIN : U31909PN1991PTC063403]

S-18, MIDC, Bhosari, Pune - 411026. India

+91-20-66342900 ho@punetechtrol.com www.punetechtrol.com

Works : J-52/7, MIDC, Bhosari, Pune - 411026. India +91-20-67313600

Custom built specs./options available on demand.

We reserve the right to modify design and specifications without prior notice.



CAT/0066/REV 06/01-2021

INSPIRE | 1976367223