



GOST

### Special Features

- Stainless steel case & high precision measuring system
- High resolution dial
- Anti parallax mirror band (eye friendly)
- Socket directly welded to case
- Standard followed in general EN 837-1
- Calibration certificate with traceability to National / International standards.

### Application

- Calibration / testing in laboratory
- Fits for various process Industries and all gaseous / liquid media that will not obstruct the pressure system

### Specifications

**Standard Version : 150 mm, 200 mm & 250 mm**

Accuracy	:	±0.25% of F. S. (At +20 °C)
Ambient temperature	:	Maximum 65°C
Process temperature	:	Maximum 65°C
Operating pressure range	:	75% of the Scale Value

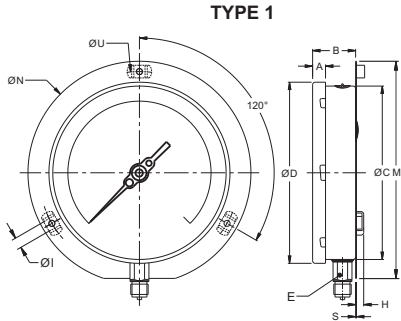
Case & Bezel	:	AISI 304 SS (Bayonet Type)
Bourdon	:	Beryllium Copper
Socket	:	AISI 316L SS
Movement	:	High Precision Jewel Bearing Type
Integral Dampening Screw	:	AISI 316 SS

Protection	:	IP 65
Dial	:	Aluminum, Green with Black Marking & Anti Parallax Mirror Band
Pointer	:	Balanced, Knife Edge Micrometer Adjustable
Pointer Stopper	:	Spring Type
Gasket	:	Neoprene
Welding	:	Alloy Brazing
Window	:	Shatter proof / Safety Glass
Blow Off Disc	:	Neoprene
Carrying Case	:	Wooden carrying case
Calibration certificate	:	Calibration certificate traceable to National / International standard.

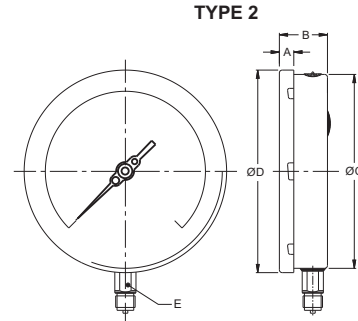
#### Temperature effect :

The variation of indication caused by effects of temperature is to be calculated by below formula; which is to be added in the specified accuracy while measurement :- Formula : ± 0.04 x (t2 - t1) % of F. S. where t1 = reference temperature (+20°C) and t2 = ambient temperature in °C.

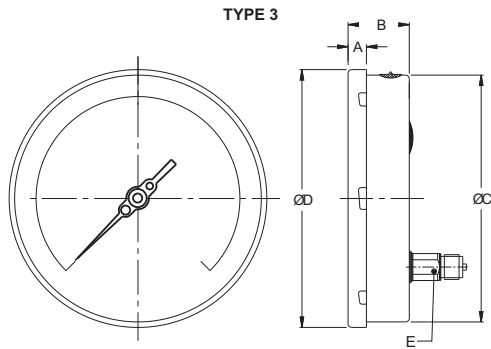
**Dimensions - standard version**



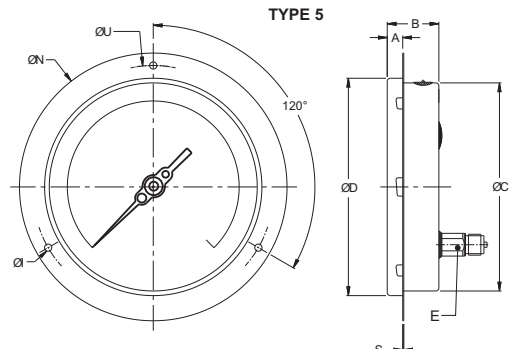
NS	A	B	ØC	ØD	E	M	ØN	ØU	H	ØI	S	Weight in gram (With Box)
150	15	46.5	149	161	22	174	186	168	14.5	6	6	1160.0
200	18	49	201.5	216.5	22	229	245	230	14.5	7	1.5	2050.0
250	18	52	250	263	22	286.5	290	276	14.5	7	1.5	2450.0



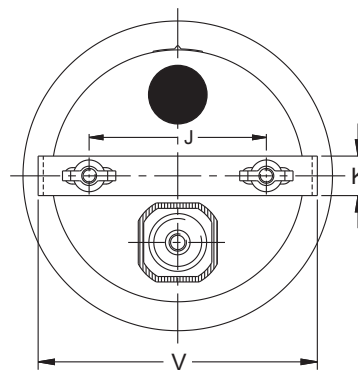
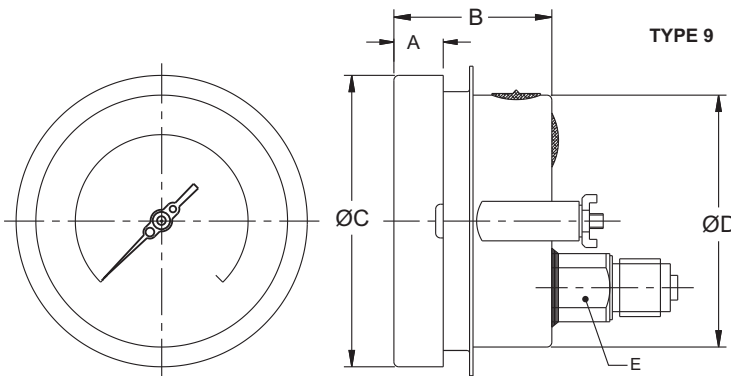
NS	A	B	ØC	ØD	E	Weight in gram (With Box)
150	15	49	149	161	22	1100.0
200	18	49	201.5	216.5	22	1975.0
250	18	52	250	263	22	2375.0



NS	A	B	ØC	ØD	E	Weight in gram (With Box)
150	15	49	149	161	22	1075.0
200	18	49	201.5	216.5	22	1950.0
250	18	52	250	263	22	2350.0



NS	A	B	ØC	ØD	E	ØN	ØU	ØI	S	Weight in gram (With Box)
150	15	49	149	161	22	186	168	6	5	1160.0
200	18	49	201.5	216.5	22	245	230	7	1.5	2030.0
250	18	52	250	263	22	290	276	7	1.5	2480.0



NS	A	B	ØC	ØD	E	J	K	V	Weight in gram (With Box)
150	15	49	149	161	22	106.5	16	166	1120.0
200	18	49	201.5	216.5	22	165	16	208	1950.0
250	18	52	250	263	22	180	30	270	2300.0

Notes : • Drawings are not to scale.  
• All Dimensions are in mm.  
• NS = Nominal Size.

### Range Table

Note : We offer National / International Scales like kPa, MPa, bar, psi, kg/cm<sup>2</sup> & Dual Scale like kPa with psi, kPa with bar, bar with psi or Equivalent scales as per the requirement can be provided on request. Following are the example tables for kg/cm<sup>2</sup> or bar

#### Pressure range

Single scale (kg/cm <sup>2</sup> or bar)					
0/0.6	0/4	0/25	0/160	0/1000	
0/1	0/6	0/40	0/250		
0/1.6	0/10	0/60	0/400		
0/2.5	0/16	0/100	0/600		
Dual scale (psi with kg/cm <sup>2</sup> )					
psi	kg/cm <sup>2</sup>	psi	kg/cm <sup>2</sup>	psi	kg/cm <sup>2</sup>
0/15	0/1	0/400	0/28	0/4000	0/280
0/30	0/2	0/500	0/35	0/5000	0/350
0/60	0/4	0/600	0/40	0/6000	0/420
0/100	0/7	0/1000	0/70	0/10000	0/700
0/150	0/10	0/1500	0/100	0/15000	0/1000
0/220	0/16	0/2200	0/160		
0/300	0/20	0/3000	0/200		

#### Vacuum range

Single scale		Accessories (Refer Datasheet for complete specifications)	
(kg/cm <sup>2</sup> or bar)	(mmHg)	ED	Overload protector (gauge saver)**
- 1/0	- 760/0	*	Needle valve

Note : Other Scale are available on customer request.

\* Refer catalogue for Valves & Manifolds. \*\* For Pressure Ranges.

Please refer to factory. Compound ranges are not preferred.

### How To Order

How To Order					Example
<b>Basic Model</b>					AR
<b>Code</b>					
<b>Nominal Size</b>					
	<b>H</b>	<b>I</b>	<b>J</b>		X
	150 mm	200 mm	250 mm		
<b>Type of Mounting</b>					
<b>1</b>	Wall / surface / projection	<b>3</b>	Direct lower back entry		X
	Mounting with bottom entry	<b>5</b>	Lower back entry with front flange		
<b>2</b>	Direct bottom entry	<b>9</b>	Lower back entry with mounting bracket		
<b>Gauge Connection</b>					
<b>4BM</b>	½" BSP (M) Standard	<b>2NM</b>	¼" NPT (M)	<b>4NM</b>	½" NPT (M) Standard
					XXX
<b>Range</b>					
Refer range table					0/10 kg/cm <sup>2</sup>
<b>Optional Extras</b>					
<b>RH</b>	Custom designed dial	<b>TB</b>	Helium leak test		XX
<b>SW</b>	Dial tag marking	<b>RW</b>	Plexi glass		
<b>SX</b>	SS tag plate				

**Ordering Example: AR . X . X . XXX . 0/10 kg/cm<sup>2</sup> . XX**

For other optional items, please contact factory for delivery and minimum quantity of order.

Note : Specifications and dimensions given in this product catalogue represents the state of engineering at the time of printing.

Modifications may take place and materials specified may be replaced by others without prior notice.