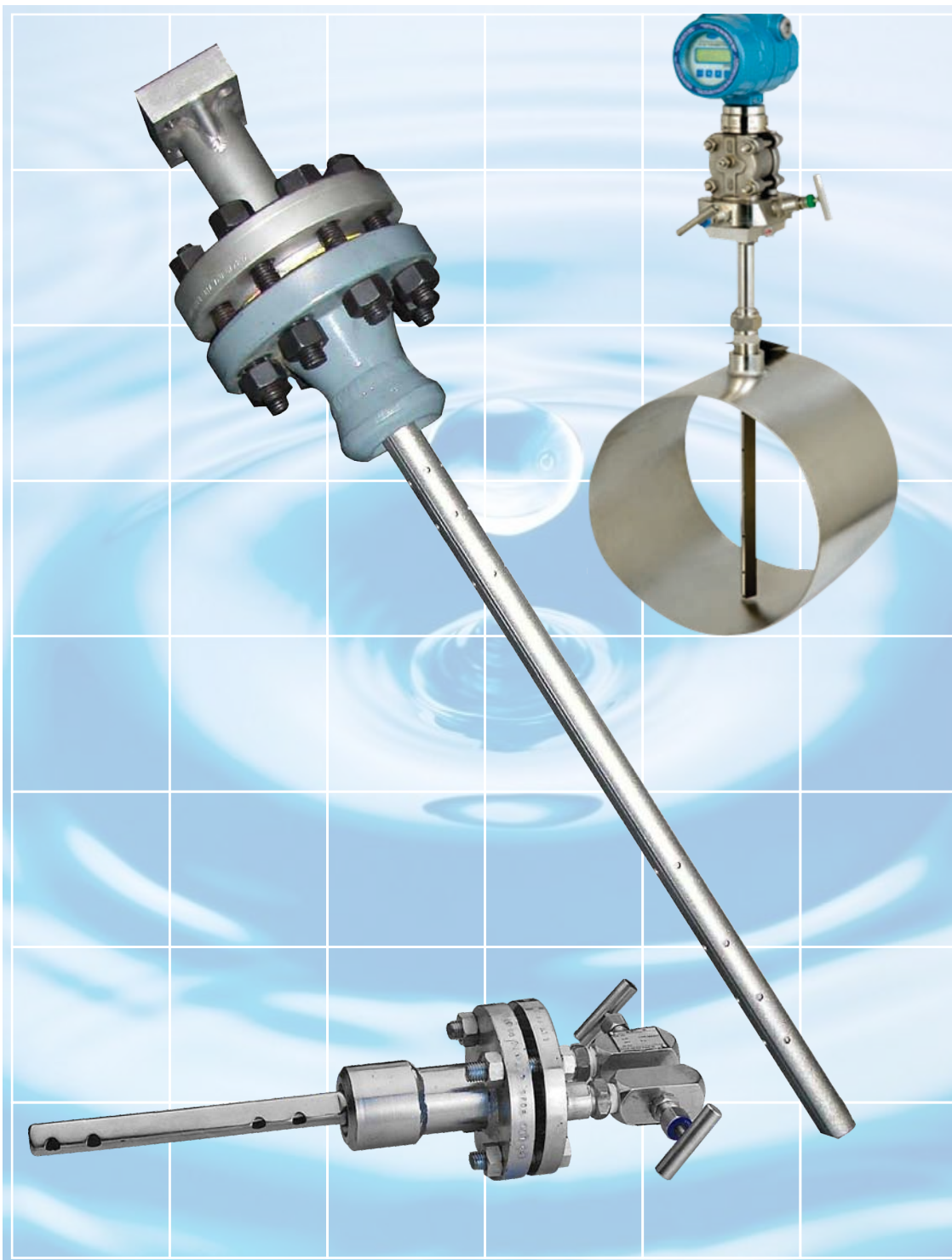




## EUBAR



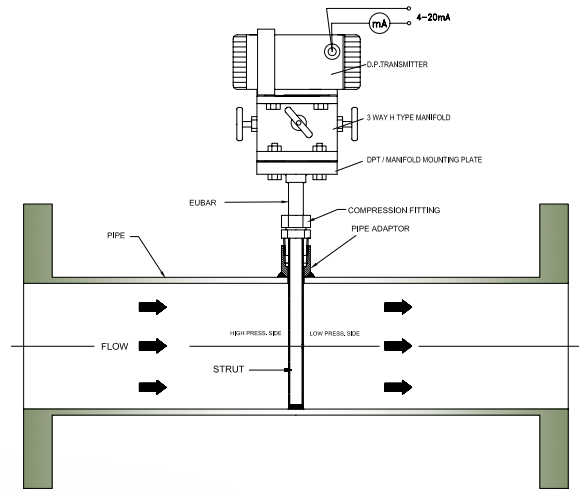
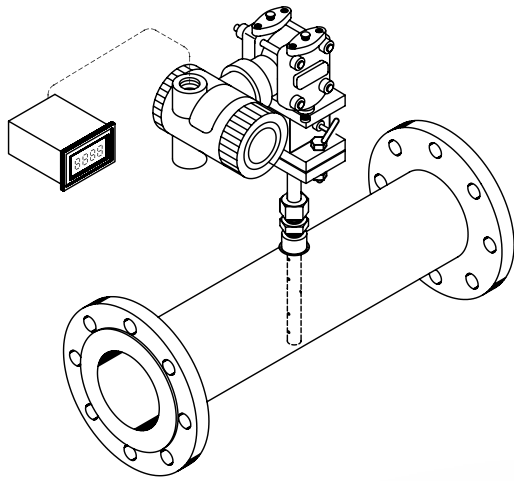
**EUREKA  
INDUSTRIAL  
EQUIPMENTS  
PVT. LTD.**

**REGD. & SALES OFFICE** : 17-20, 1st Floor, Royal Chambers, Paud Road, Pune - 411 038, Maharashtra, India.  
■ Tel: 0091-20-25443079, 25451314 ■ Fax: 0091-20-25441323 ■ Email: sales@eurekaflow.com / eureka@mail@vsnl.net

**FACTORY** : 501, 'J' Block, M.I.D.C., Pimpri, Pune - 411018. ■ Tel: 0091-20-30681734 to 55  
■ Fax: 0091-20-30681731 ■ Email: eureka@mail@vsnl.net, works@eurekaflow.com

**MUMBAI OFFICE** : Office No.116, Growmore Tower, 1stFloor,Plot No.5, Sector No.2, Kharghar, Navi Mumbai - 410 210 ■ Mobile: 9322598274

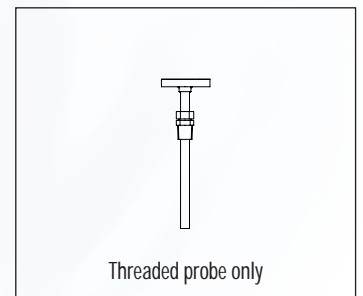
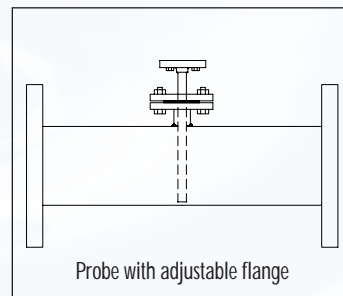
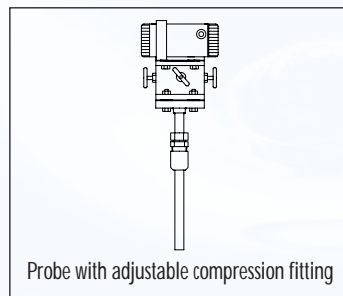
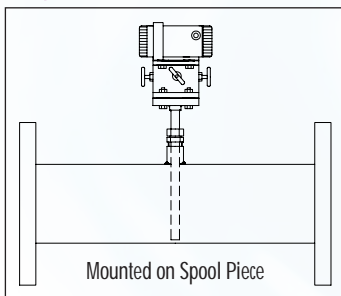
# EUBAR



## Principle & Working

- Eureka make EUBAR is based on principle of Pitot Tube.
- The basic principle is to locate upstream total pressure ports along a strut that spans the pipe. These total pressure measuring points are positioned at the defining area averaging locations.
- The measuring static ports are positioned downstream at a location selected by manufacturer to give optimum performance.
- The averaged total pressure and the flowing low pressure are transmitted to the D.P. transmitter.

## Styles Available



## Specifications

Available for Pipe size: 3"NB to 16"NB (Higher sizes on request)

Material of Construction: 304 SS, 316 SS, M.S., Hastelloy-C Other material on request

## Mounting Style Available

Screwed, Compression Fitting, Flanges or with Spool Piece

**Accuracy:**  $\pm 1\%$

## Application:

Liquid and gases  
 Low pressure liquids  
 Water through big pipes  
 Measurement of gases flowing through ducts  
 Blower flow measurement

## Data Required:

Name of the medium  
 Operating pressure & temperature  
 Density & Viscosity at operating condition  
 Internal diameter of the pipe  
 Flow