



GOST

### Special Features

- High accuracy & repeatability
- SS wetted parts
- Set point locking
- Highly reliable
- Diaphragm seals (optional)

### Applications

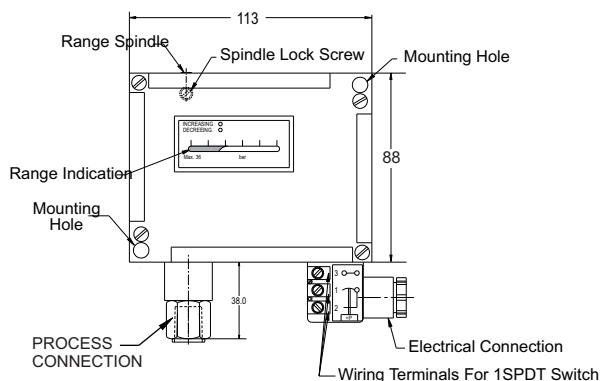
- Boiler, furnace, railway engines.
- Oil & gas, conventional & nuclear power plants, mines, iron & steel plants, refineries, petrochemical, hydraulics, food & pharmaceutical, chemical & fertilizer, cement, textile, glass, paint, pulp & paper, marine industries.

### Specifications

#### Standard Version

Repeatability	:	± 1% F. S.
Scale Unit	:	bar
Range	:	Refer "how to order"
Set point	:	Between 20 to 80% F. S. for better performance
Over pressure limit	:	150% of F. S.
Differential	:	Fixed
Mounting	:	Bottom / Panel
Process connection	:	1/4" NPT (F)
Enclosure protection	:	W/P to IP 66
Enclosure material	:	Pressure die cast aluminum
Maximum process temperature	:	150 °C
Ambient temperature	:	-10 to 60 °C
Switch	:	1 SPDT, snap action micro switch
Switch rating	:	15 A, 250 VAC, 0.2 A, 220 VDC
High voltage strength	:	0.5 to 0.6 KV between open contacts and 2 KV between contacts and body
Insulation resistance	:	>100 M ohms at 500 V
Sensing element	:	Piston
Wetted parts	:	AISI 316 SS
Cable entry	:	PG 13.5 mm
Scale Accuracy	:	± 1.0% F. S.
Conformity	:	BS 6134

### Dimensional Details



Notes : • Drawings are not to scale. • All dimensions are in mm.

How To Order							Example
<b>Basic Model</b>							ZPPW
<b>Range</b>							XXXX
<b>Ordering Code</b>	<b>Range (bar)</b>	<b>Ordering Code</b>	<b>Range (bar)</b>	<b>Ordering Code</b>	<b>Range (bar)</b>		
<b>PC60</b>	5 to 60	<b>P160</b>	10 to 160	<b>P400</b>	40 to 400		
<b>P100</b>	10 to 100	<b>P250</b>	10 to 250	<b>P600</b>	60 to 600		
Note : Other equivalent scale units like kg/cm <sup>2</sup> , kPa, MPa, psi, mmWC etc can be provided on request.							
<b>Wetted Parts</b>							XX
<b>C6</b>	AISI 316 SS (standard)		<b>SL</b>	AISI 316L SS			
<b>Differential</b>							X
<b>F</b>	Fixed (standard)						
<b>Note :</b>							
Fixed : 1 SDDT = 3 to 5% F.S.							
2 SPDT = 4.5 to 7.5% F.S.							
1 DPDT = 4.5 to 7.5% F.S.							
<b>Type of Micro Switch</b>							XX
<b>1S</b>	1 SPDT		<b>2S</b>	2 SPDT		<b>1D</b>	
<b>Micro Switch Rating</b>							XXX
<b>Switch Code</b>	<b>Description</b>	<b>AC Rating</b>	<b>AC Rating (Resistive)</b>	<b>DC Rating (Inductive)</b>	<b>Available on 1 SPDT</b>	<b>Available on 2 SPDT</b>	
<b>GPL</b>	Low dead band and fixed	15 A 250 V	2 A 24 V 0.4 A 110 V 0.2 A 220 V	2 A 24 V 0.4 A 110 V 0.2 A 220 V	Fixed differential of ZPD, ZPP, ZDD	Fixed differential of ZPD, ZPP, ZDD	
<b>GPH</b>	Standard dead band	15 A 250 V	6 A 24V 0.5 A 110 V 0.25 A 220 V	5 A 24 V 0.05 A 110 V 0.03 A 220 V	Fixed differential of ZPD, ZPP, ZDD	Fixed differential of ZPD, ZPP, ZDD	
<b>GPA</b>	Adj. differential micro switch	15 A 250 V			Adj. differential of ZPD, ZPP, ZDD	NA	
<b>GPG</b>	Gold plated contact	1 A 125 V	0.5 A 28 V		Fixed differential of ZPD, ZPP, ZDD	Fixed differential of ZPD, ZPP, ZDD	
<b>SES</b>	Environmentally sealed silver contact	15 A 250 V	0.4 A 125 V		Fixed differential of ZPD, ZPP, ZDD	Fixed differential of ZPD, ZPP, ZDD	
<b>SEG</b>	Environmentally sealed silver contact		1 A 28 V		Fixed differential of ZPD, ZPP, ZDD	Fixed differential of ZPD, ZPP, ZDD	
<b>HSS</b>	Hermetically sealed silver plated	4 A 230 V	3 A 28 V	2 A 24 V	Fixed differential of ZPD, ZPP, ZDD	Fixed differential of ZPD, ZPP, ZDD	
<b>HSG</b>	Hermetically sealed gold plated	1 A 125 V	NA	NA	Fixed differential of ZPD, ZPP, ZDD	Fixed differential of ZPD, ZPP, ZDD	
<b>HDC</b>	High DC rating	10 A 125 V	10 A 125 V	6 A 125 V	Fixed differential of ZPD, ZPP, ZDD	Fixed differential of ZPD, ZPP, ZDD	
<b>DPD</b>	DPDT Micro switch	10 A 125 V	0.2 A 250 V		Fixed & adjustable differential of ZPD, ZPP, ZDD	NA	

How To Order							Example			
<b>Calibration</b>							X			
I	Increasing	D	Decreasing (Not applicable for adj. differential)							
<b>Process Connections</b> (* Please mention the flange face and flange finish)							XXX			
		Through Adaptors		Flanged (As per ANSI B 16.5)*						
2NM	1/4" NPT (M)	3BM	3/8" BSP (M)	B09	1/2" 150 #	B21		1" 150 #	B39	2" 150 #
2NF	1/4" NPT (F) (Standard)	3BF	3/8" BSP (F)	B10	1/2" 300 #	B22		1" 300 #	B40	2" 300 #
		4BM	1/2" BSP (M)	B11	1/2" 600 #	B23		1" 600 #	B41	2" 600 #
		4BF	1/2" BSP (F)	B15	3/4" 150 #	B33		1 1/2" 150 #	B51	3" 150 #
		4NM	1/2" NPT (M)	B16	3/4" 300 #	B34		1 1/2" 300 #	B52	3" 300 #
		4NF	1/2" NPT (F)	B17	3/4" 600 #	B35		1 1/2" 600 #	B53	3" 600 #
<b>Cable Entry</b>								XXX		
DIN	DIN Connection*	ETE	3/4" ET	ECB	3/4" ET DCCG Brass	4PN			4 PIN Connection*	
PGE	PG 13.5 (Std)	2NP	1/2" NPT (F)	NPB	1/2"NPT DCCG Brass	7PN	7 PIN Connection			
ECS	3/4" ET DCCG SS	NPS	1/2"NPT DCCG SS							
* For 1 SPDT										
<b>Options</b>							XX			
PW	Calibration certificate	WM	Wall mounting bracket (steel plated)							
SX	SS Tag plate	PM	2" Pipe mounting							
GH	Material test certificates***	JU	2" Pipe/yoke mounting bracket & 'U' clamp (AISI 304 SS)							
SG	Oxygen service	FN	2" Pipe/yoke mounting bracket & 'U' clamp (AISI 316 SS)							
PU	Calibration certificate traceable to national/international standards									
<b>Accessories (refer individual datasheet for complete specifications)</b>										
EB	Cooling tower	ED	Overload protector	EG	Snubber					
EC	Gauge cock	NV4	Needle valve	EH	Syphon					
DS	Diaphragm seals	EL	Cooling capillary	VM	Manifolds					

\*\*\*Material test certificates will be provided for wetted parts only with chemical composition testing.

For others, please consult factory.

**Ordering Example: ZPPW . XXXX . XX . X . XX . XXX . X . XXX . XXX . XX**

Note : In 2 SPDT Instruments, there may be an error of max ± 2% F. S. between micro switches at the set point.