

GOST



ATEX

Special Features

- Atex approved
- High accuracy & repeatability
- SS wetted parts
- Set point locking
- Highly reliable
- Diaphragm seals (optional)

Applications

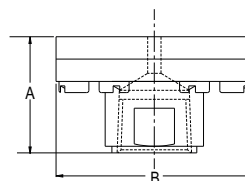
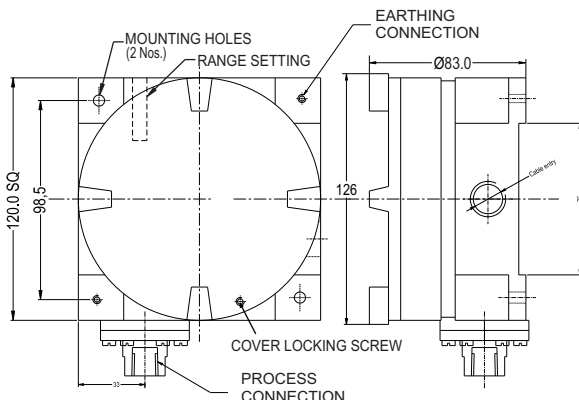
- Boiler, furnace
- Oil & gas, conventional & nuclear power
- Plants, mines, iron & steel plants, refineries,
- Petrochemical, food & pharmaceutical,
- Chemical & fertilizer, cement,
- Glass, paint, pulp & paper, marine industries and other hazardous applications

Specifications

Standard Version

Repeatability	:	± 0.5% F. S.
Scale Unit	:	bar (Inside Enclosure)
Range	:	Refer "how to order"
Set point	:	Between 20 to 80% F. S. for better performance
Over pressure limit	:	150% of F. S.
Differential	:	Fixed
Mounting	:	Bottom / Panel
Process connection	:	1/4" NPT (F)
Enclosure protection	:	W/P to IP 65 & Explosion proof, Class 1, Div. 2, Gas Groups B, C & D (ExII2G, Eex d IIC T6)
Enclosure material	:	Die cast aluminum
Maximum process temperature	:	150 °C
Ambient temperature	:	-10 to 60 °C
Switch	:	1 SPDT, snap action micro switch
Switch rating	:	15 A, 250 VAC, 0.2 A, 220 VDC
High voltage strength	:	0.5 to 0.6 KV between open contacts and 2 KV between contacts and body
Insulation resistance	:	>100 M ohms at 500 V
Sensing element	:	Piston actuated diaphragm
Chamber material	:	AISI 316 SS
Sensing element material	:	AISI 316L SS
Cable gland	:	1/2"NPT (M) double compression
Scale Accuracy	:	± 1.0% F. S.
Conformity	:	BS 6134

Dimensional Details



Range	A	B
-20 to 100 mbar	28	100
250 to 600 mbar	28	80
-1 to 2 bar	28	55
0 to 16 bar	28	44
2 to 40 bar	28	40
-1 to 4 bar	28	44

Notes : • Drawings are not to scale. • All dimensions are in mm.

How To Order										Example	
Basic Model										ZPDX	
Range											
Ordering Code	Range (mbar)	Ordering Code	Range (mbar)	Ordering Code	Range (bar)	Ordering Code	Range (bar)	Ordering Code	Range (bar)		
WC20	-20 to 20	W060	5 to 60	P001	0.1 to 1	P016	1 to 16	C005	-0.5 to 0.5		
WC40	-40 to 40	W100	10 to 100	P002	0.2 to 2	P025	2 to 25	C011	-1 to 1		
WC01	-1 to 2	W250	25 to 250	P004	0.4 to 4	P032	2 to 32	C012	-1 to 2	XXXX	
W005	0.5 to 5	W400	40 to 400	P006	0.6 to 6	P040	2 to 40	C014	-1 to 4		
W020	3 to 20	W600	60 to 600	P010	1 to 10			V001	-1 to 0		
Note : Other equivalent scale units like kg/cm ² , kPa, MPa, psi, mmWC etc can be provided on request.											
Chamber Material											
C6	AISI 316 SS (standard)			MO	Monel		AL			Aluminum*	
SL	AISI 316L SS			HC	Hastelloy C		(*Ranges 5 mbar to 600 mbar only)			XX	
Sensing Element Material											
SL	AISI 316L SS (standard)			BN	Buna		HC			Hastelloy C	
VT	Viton			TF	Teflon		MO			Monel	XX
Differential											
F	Fixed (standard)			A	Adjustable					X	
Note :											
Fixed : 1 SPDT = 3 to 5% FS				Adjustable : 1 SPDT = 5 to 12.5% FS							
2 SPDT = 4.5 to 7.5% FS				2 SPDT = 7.5 to 19% FS							
1 DPDT = 4.5 to 7.5% FS				1 DPDT = 7.5 to 19% FS							
Type of Micro Switch											
1S	1 SPDT			2S	2 SPDT		1D	1 DPDT			XX
Micro Switch Rating											
Switch Code	Description	AC Rating	AC Rating (Resistive)	DC Rating (Inductive)	Available on 1 SPDT	Available on 2 SPDT					
GPL	Low dead band and fixed	15 A 250 V	2 A 24 V 0.4 A 110 V 0.2 A 220 V	2 A 24 V 0.4 A 110 V 0.2 A 220 V	Fixed differential of ZPD, ZPP, ZDD	Fixed differential of ZPD, ZPP, ZDD					
GPH	Standard dead band	15 A 250 V	6 A 24V 0.5 A 110 V 0.25 A 220 V	5 A 24 V 0.05 A 110 V 0.03 A 220 V	Fixed differential of ZPD, ZPP, ZDD	Fixed differential of ZPD, ZPP, ZDD					
GPA	Adj. differential micro switch	15 A 250 V			Adj. differential of of ZPD, ZPP, ZDD	NA					
GPG	Gold plated contact	1 A 125 V	0.5 A 28 V		Fixed differential of ZPD, ZPP, ZDD	Fixed differential of ZPD, ZPP, ZDD					
SES	Environmentally sealed silver contact	15 A 250 V	0.4 A 125 V		Fixed differential of ZPD, ZPP, ZDD	Fixed differential of ZPD, ZPP, ZDD					
SEG	Environmentally sealed silver contact		1 A 28 V		Fixed differential of ZPD, ZPP, ZDD	Fixed differential of ZPD, ZPP, ZDD					
HSS	Hermetically sealed silver plated	4 A 230 V	3 A 28 V	2 A 24 V	Fixed differential of ZPD, ZPP, ZDD	Fixed differential of ZPD, ZPP, ZDD					
HSG	Hermetically sealed gold plated	1 A 125 V	NA	NA	Fixed differential of ZPD, ZPP, ZDD	Fixed differential of ZPD, ZPP, ZDD					
HDC	High DC rating	10 A 125 V	10 A 125 V	6 A 125 V	Fixed differential of ZPD, ZPP, ZDD	Fixed differential of ZPD, ZPP, ZDD					
DPD	DPDT Micro switch	10 A 125 V	0.2 A 250 V		Fixed & adjustable differential of ZPD, ZPP, ZDD	NA					

How To Order				Example
Calibration				
I	Increasing	D	Decreasing (Not applicable for adj. differential)	X
Process Connections (* Please mention the flange face and flange finish)				
		Through Adaptors	Flanged (As per ANSI B 16.5)*	
2NM	1/4" NPT (M)	3BM	3/8" BSP (M)	B09 1/2" 150 #
2NF	1/4" NPT (F) (Standard)	3BF	3/8" BSP (F)	B10 1/2" 300 #
		4BM	1/2" BSP (M)	B11 1/2" 600 #
		4BF	1/2" BSP (F)	B15 3/4" 150 #
		4NM	1/2" NPT (M)	B16 3/4" 300 #
		4NF	1/2" NPT (F)	B17 3/4" 600 #
				B21 1" 150 #
				B22 1" 300 #
				B23 1" 600 #
				B33 1 1/2" 150 #
				B34 1 1/2" 300 #
				B35 1 1/2" 600 #
				B39 2" 150 #
				B40 2" 300 #
				B41 2" 600 #
				B51 3" 150 #
				B52 3" 300 #
				B53 3" 600 #
Cable Entry				
DTE	3/4" ET duel entry with one entry plugged	ECS	3/4" ET DCCG SS	DCS 3/4" ET DCCG with one entry plugged
DNP	1/2" NPT (F) with one entry plugged	NPS	1/2"NPT DCCG SS	DPS 1/2" NPT DCCG with one entry plugged
2NP	1/2" NPT (F)	ETE	3/4" ET	ECB 3/4" ET DCCG BRASS
				NPB 1/2"NPT DCCG BRASS
Options				
PW	Calibration certificate	WM	Wall mounting bracket (steel plated)	
SX	SS Tag plate	PM	2" Pipe mounting	XX
TF	Conformity as per NACE Standard	JU	2" Pipe/yoke mounting bracket & 'U' clamp (AISI 304 SS)	
GH	Material test certificates***	FN	2" Pipe/yoke mounting bracket & 'U' clamp (AISI 316 SS)	
SG	Oxygen service	AT	ATEX Conformity Certificate	
PU	Calibration certificate traceable to national/international standards			
Accessories (refer individual datasheet for complete specifications)				
EB	Cooling tower	ED	Overload protector	EG Snubber
EC	Gauge cock	NV4	Needle valve	EH Syphon
DS	Diaphragm seals	EL	Cooling capillary	VM Manifolds

***Material test certificates will be provided for wetted parts only with chemical composition testing.

For others, please consult factory.

Ordering Example: ZPDX . XXXX . XX . XX . X . XX . XXX . X . XXX . XXX . XX

Note : In 2 SPDT Instruments, there may be an error of max ± 2% F. S. between micro switches at the set point.