



GOST

Special Features

- High accuracy & repeatability
- SS wetted parts
- Set point locking
- Highly reliable
- Diaphragm seals (optional)

Applications

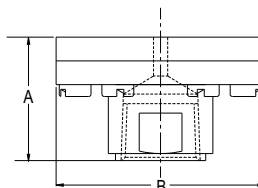
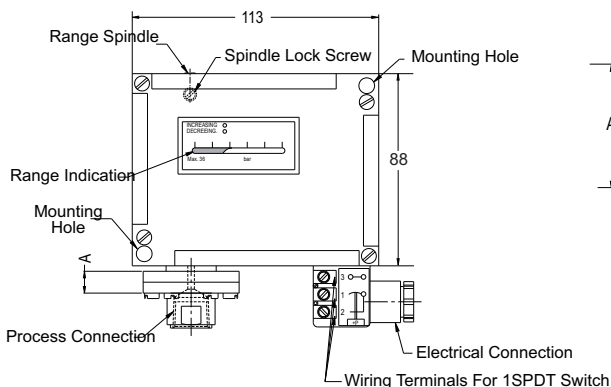
- Boiler, furnace, railway engines.
- Oil & gas, conventional & nuclear power plants, mines, iron & steel plants, refineries, petrochemical, food & pharmaceutical, chemical & fertilizer, cement, textile, glass, paint, pulp & paper, marine industries.

Specifications

Standard Version

Repeatability	:	± 0.5% F. S.
Scale unit	:	bar
Range	:	Refer "how to order"
Set point	:	Between 20 to 80% F. S. for better performance
Over pressure limit	:	150% of F. S.
Differential	:	Fixed
Mounting	:	Bottom / Panel
Process connection	:	1/4" NPT (F)
Enclosure protection	:	W/P to IP 66
Enclosure material	:	Pressure die cast aluminum
Maximum process temperature	:	150 °C
Ambient temperature	:	-10 to 60 °C
Switch	:	1 SPDT, snap action micro switch
Switch rating	:	15 A, 250 VAC, 0.2 A, 220 VDC
High voltage strength	:	0.5 to 0.6 KV between open contacts and 2 KV between contacts and body
Insulation resistance	:	>100 M ohms at 500 V
Sensing element	:	Piston actuated diaphragm
Other wetted parts	:	AISI 316 SS
Sensing element material	:	AISI 316L SS
Cable entry	:	PG 13.5 mm
Scale Accuracy	:	± 1.0% F. S.
Conformity	:	BS 6134

Dimensional Details



Range	A	B
-20 to 100 mbar	28	100
250 to 600 mbar	28	80
-1 to 2 bar	28	55
0 to 16 bar	28	44
2 to 40 bar	28	40
-1 to 4 bar	28	44

- Notes :
- Drawings are not to scale.
 - All Dimensions are in mm.

How To Order	Example
--------------	---------

Basic Model	ZPDW
--------------------	------

Range									
Ordering Code	Range (mbar)	Ordering Code	Range (mbar)	Ordering Code	Range (bar)	Ordering Code	Range (bar)	Ordering Code	Range (bar)
WC20	-20 to 20	W060	5 to 60	P001	0.1 to 1	P016	1 to 16	C005	-0.5 to 0.5
WC40	-40 to 40	W100	10 to 100	P002	0.2 to 2	P025	2 to 25	C011	-1 to 1
WC01	-1 to 2	W250	25 to 250	P004	0.4 to 4	P032	2 to 32	C012	-1 to 2
W005	0.5 to 5	W400	40 to 400	P006	0.6 to 6	P040	2 to 40	C014	-1 to 4
W020	3 to 20	W600	60 to 600	P010	1 to 10			V001	-1 to 0

Note : Other equivalent scale units like kg/cm², kPa, MPa, psi, mmWC etc can be provided on request.

Chamber Material	XX
-------------------------	----

C6 AISI 316 SS (Standard)	MO Monel	AL Aluminum*
SL AISI 316L SS	HC Hastelloy C	(*Ranges 5 mbar to 600 mbar only)

Sensing Element Material	XX
---------------------------------	----

SL AISI 316L SS (Standard)	BN BUNA	HC HASTELLOY C
VT VITON	TF TEFLON	MO MONEL

Differential	X
---------------------	---

F Fixed (standard)	A Adjustable	
Note : Fixed : 1 SDDT = 3 to 5% F.S. 2 SPDT = 4.5 to 7.5% F.S. 1 DPDT = 4.5 to 7.5% F.S.	Note : Adjustable : 1 SPDT = 5 to 12.5% F.S. 2 SPDT = 7.5 to 19% F.S. 1 DPDT = 7.5 to 19% F.S.	

Type of Micro Switch	XX
-----------------------------	----

1S 1 SPDT	2S 2 SPDT	1D 1 DPDT
------------------	------------------	------------------

Micro Switch Rating	XXX
----------------------------	-----

Switch Code	Description	AC Rating	AC Rating (Resistive)	DC Rating (Inductive)	Available on 1 SPDT	Available on 2 SPDT
GPL	Low dead band and fixed	15 A 250 V	2 A 24 V 0.4 A 110 V 0.2 A 220 V	2 A 24 V 0.4 A 110 V 0.2 A 220 V	Fixed differential of ZPD, ZPP, ZDD	Fixed differential of ZPD, ZPP, ZDD
GPH	Standard dead band	15 A 250 V	6 A 24V 0.5 A 110 V 0.25 A 220 V	5 A 24 V 0.05 A 110 V 0.03 A 220 V	Fixed differential of ZPD, ZPP, ZDD	Fixed differential of ZPD, ZPP, ZDD
GPA	Adj. differential micro switch	15 A 250 V			Adj. differential of ZPD, ZPP, ZDD	Adjustable differential of ZPD, ZPP, ZDD
GPG	Gold plated contact	1 A 125 V	0.5 A 28 V		Fixed differential of ZPD, ZPP, ZDD	Fixed differential of ZPD, ZPP, ZDD
SES	Environmentally sealed silver contact	15 A 250 V	0.4 A 125 V		Fixed differential of ZPD, ZPP, ZDD	Fixed differential of ZPD, ZPP, ZDD
SEG	Environmentally sealed silver contact		1 A 28 V		Fixed differential of ZPD, ZPP, ZDD	Fixed differential of ZPD, ZPP, ZDD
HSS	Hermetically sealed silver plated	4 A 230 V	3 A 28 V	2 A 24 V	Fixed differential of ZPD, ZPP, ZDD	Fixed differential of ZPD, ZPP, ZDD
HSG	Hermetically sealed gold plated	1 A 125 V	NA	NA	Fixed differential of ZPD, ZPP, ZDD	Fixed differential of ZPD, ZPP, ZDD
HDC	High DC rating	10 A 125 V	10 A 125 V	6 A 125 V	Fixed differential of ZPD, ZPP, ZDD	Fixed differential of ZPD, ZPP, ZDD
DPD	DPDT Micro switch	10 A 125 V	0.2 A 250 V		Fixed & adjustable differential of ZPD, ZPP, ZDD	NA

How To Order							Example			
Calibration										
I	Increasing	D	Decreasing (Not applicable for adj. differential)				X			
Process Connections (* Please mention the flange face and flange finish)										
		Through Adaptors		Flanged (As per ANSI B 16.5)*						
2NM	1/4" NPT (M)	3BM	3/8" BSP (M)	B09	1/2" 150 #	B21	1" 150 #	B39	2" 150 #	
2NF	1/4" NPT (F) (Standard)	3BF	3/8" BSP (F)	B10	1/2" 300 #	B22	1" 300 #	B40	2" 300 #	XXX
		4BM	1/2" BSP (M)	B11	1/2" 600 #	B23	1" 600 #	B41	2" 600 #	
		4BF	1/2" BSP (F)	B15	3/4" 150 #	B33	1 1/2" 150 #	B51	3" 150 #	
		4NM	1/2" NPT (M)	B16	3/4" 300 #	B34	1 1/2" 300 #	B52	3" 300 #	
		4NF	1/2" NPT (F)	B17	3/4" 600 #	B35	1 1/2" 600 #	B53	3" 600 #	
Cable Entry										
DIN	DIN Connection*	ETE	3/4" ET	ECB	3/4" ET DCCG Brass	4PN	4 PIN Connection*			
PGE	PG 13.5 (Std)	2NP	1/2" NPT (F)	NPB	1/2" NPT DCCG Brass	7PN	7 PIN Connection		XXX	
ECS	3/4" ET DCCG SS	NPS	1/2" NPT DCCG SS							
* For 1 SPDT										
Options										
PW	Calibration certificate			WM	Wall mounting bracket (steel plated)					
SX	SS Tag plate			PM	2" Pipe mounting					
TF	Conformity as per NACE Standard			JU	2" Pipe/yoke mounting bracket & 'U' clamp (AISI 304 SS)			XX		
GH	Material test certificates***			FN	2" Pipe/yoke mounting bracket & 'U' clamp (AISI 316 SS)					
SG	Oxygen service									
PU	Calibration certificate traceable to national/international standards									
Accessories (Refer individual datasheet for complete specifications)										
EB	Cooling tower	ED	Overload protector	EG	Snubber					
EC	Gauge cock	NV4	Needle valve	EH	Syphon					
DS	Diaphragm seals	EL	Cooling capillary	VM	Manifolds					

***Material test certificates will be provided for wetted parts only with chemical composition testing.

For others, please consult factory.

Ordering Example: ZPDW . XXXX . XX . XX . X . XX . XXX . X . XXX . XXX . XX

Note : In 2 SPDT Instruments, there may be an error of max ± 2% F. S. between Micro Switches at the set point.

Use common note as per other data sheets like specification and dimensions given in this product catalogue