



GOST



ATEX

Special Features

- Atex approved
- High accuracy & repeatability
- SS wetted parts
- Set point locking
- Highly reliable
- Diaphragm seals (optional)

Applications

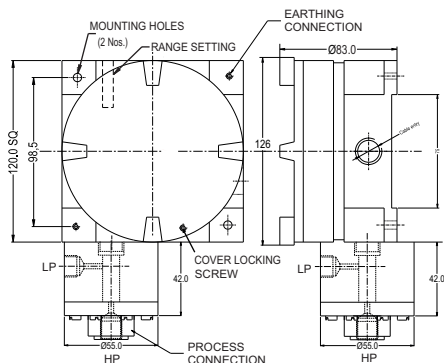
- Filter monitoring, boiler, furnace, railway engines
- Oil & gas, conventional & nuclear power plants, mines, iron & steel plants, refineries, petrochemical, food & pharmaceutical, chemical & fertilizer, cement, textile, pumps, glass, paint, pulp & paper, marine industries.

Specifications

Standard Version

Repeatability	:	± 0.5% F. S.
Scale unit	:	bar (inside enclosure)
Range	:	Refer "how to order"
Set point	:	Between 20 to 80% F. S. for better performance
Overpressure limit	:	150% of F. S.
Differential	:	Fixed
Mounting	:	Direct / Panel
Process connection	:	1/4" NPT (F)
Enclosure protection	:	W/P to IP 65 & Explosion proof, Class 1, Div. 2, Gas Groups B, C & D (ExII2G, Eex d IIC T6)
Enclosure material	:	Die cast aluminum
Maximum process temperature	:	150 °C
Ambient temperature	:	-10 to 60 °C
Switch	:	1 SPDT, snap action micro switch
Switch rating	:	15 A, 250 VAC, 0.2 A, 220 VDC
High voltage strength	:	0.5 to 0.6 KV between open contacts and 2 KV between contacts and body
Insulation resistance	:	>100 M ohms at 500 V
Sensing element	:	Piston actuated diaphragm
DP chamber material	:	Aluminum (for range 5 to 600 mbar) AISI 316 SS (for range 0.5 to 20 mbar & 1 to 25 bar)
Sensing element material	:	AISI 316L SS
Cable gland	:	½"NPT (M) double compression
Scale Accuracy	:	± 1.0% F. S.
Conformity	:	BS 6134

Dimensional Details



Notes : • Drawings are not to scale. • All Dimensions are in mm.

How To Order							Example
Basic Model							ZDDX
Range (* Also available in AISI 316 SS & AISI 316L version. Refer DP chamber material)							
Ordering Code	Range (mbar)	DP Chamber Material	Ordering Code	Range (bar)	DP Chamber Material		
W020	3 to 20	AISI 316 SS	P001	0.1 to 1	AISI 316 SS		
W060	5 to 60	Aluminum*	P002	0.2 to 2	AISI 316 SS		
W100	10 to 100	Aluminum*	P004	0.4 to 4	AISI 316 SS		XXXX
W250	25 to 250	Aluminum*	P006	0.6 to 6	AISI 316 SS		
W400	40 to 400	Aluminum*	P010	1 to 10	AISI 316 SS		
W600	60 to 600	Aluminum*	P016	1 to 16	AISI 316 SS		
			P025	2 to 25	AISI 316 SS		
Note : Other equivalent scale units like kg/cm ² , kPa, MPa, psi, mmWC etc can be provided on request.							
DP Chamber Material							
AL	Aluminum (Standard for range 5 to 600 mbar only)				SL	AISI 316L SS	XX
C6	AISI 316 SS (Standard for range 0.5 to 20 mbar & 1 to 25 bar only)						
Sensing Element Material							
SL	AISI 316L SS (Standard)						XX
Differential							
F	Fixed (Standard)						X
Note : 1 SPDT = 3 to 5% FS 2 SPDT = 4.5 to 7.5% FS 1 DPDT = 4.5 to 7.5% FS							
Type of Micro Switch							
1S	1 SPDT	2S	2 SPDT	1D	1 DPDT		XX
Micro Switch Rating							
Switch Code	Description	AC Rating	AC Rating (Resistive)	DC Rating (Inductive)	Available on 1 SPDT	Available on 2 SPDT	XXX
GPL	Low dead band and fixed	15 A 250 V	2 A 24 V 0.4 A 110 V 0.2 A 220 V	2 A 24 V 0.4 A 110 V 0.2 A 220 V	Fixed differential of ZPD, ZPP, ZDD	Fixed differential of ZPD, ZPP, ZDD	
GPH	Standard dead band	15 A 250 V	6 A 24V 0.5 A 110 V 0.25 A 220 V	5 A 24 V 0.05 A 110 V 0.03 A 220 V	Fixed differential of ZPD, ZPP, ZDD	Fixed differential of ZPD, ZPP, ZDD	
GPA	Adj. differential micro switch	15 A 250 V			Adj. differential of ZPD, ZPP, ZDD	NA	
GPG	Gold plated contact	1 A 125 V	0.5 A 28 V		Fixed differential of ZPD, ZPP, ZDD	Fixed differential of ZPD, ZPP, ZDD	
SES	Environmentally sealed silver contact	15 A 250 V	0.4 A 125 V		Fixed differential of ZPD, ZPP, ZDD	Fixed differential of ZPD, ZPP, ZDD	
SEG	Environmentally sealed silver contact		1 A 28 V		Fixed differential of ZPD, ZPP, ZDD	Fixed differential of ZPD, ZPP, ZDD	
HSS	Hermetically sealed silver plated	4 A 230 V	3 A 28 V	2 A 24 V	Fixed differential of ZPD, ZPP, ZDD	Fixed differential of ZPD, ZPP, ZDD	
HSG	Hermetically sealed gold plated	1 A 125 V	NA	NA	Fixed differential of ZPD, ZPP, ZDD	Fixed differential of ZPD, ZPP, ZDD	
HDC	High DC rating	10 A 125 V	10 A 125 V	6 A 125 V	Fixed differential of ZPD, ZPP, ZDD	Fixed differential of ZPD, ZPP, ZDD	
DPD	DPDT Micro switch	10 A 125 V	0.2 A 250 V		Fixed & adjustable differential of ZPD, ZPP, ZDD	NA	

How To Order										Example																																																																												
Calibration																																																																																						
I	Increasing			D	Decreasing (Not applicable for adj. differential)					X																																																																												
Process Connections (* Please mention the flange face and flange finish)																																																																																						
<table border="0" style="width:100%"> <tr> <td colspan="4"></td> <td colspan="2">Through Adaptors</td> <td colspan="4">Flanged (As per ANSI B 16.5)*</td> </tr> <tr> <td>2NM</td> <td>1/4" NPT (M)</td> <td>3BM</td> <td>3/8" BSP (M)</td> <td>B09</td> <td>1/2" 150 #</td> <td>B21</td> <td>1" 150 #</td> <td>B39</td> <td>2" 150 #</td> <td>XXX</td> </tr> <tr> <td>2NF</td> <td>1/4" NPT (F) (Standard)</td> <td>3BF</td> <td>3/8" BSP (F)</td> <td>B10</td> <td>1/2" 300 #</td> <td>B22</td> <td>1" 300 #</td> <td>B40</td> <td>2" 300 #</td> <td></td> </tr> <tr> <td></td> <td></td> <td>4BM</td> <td>1/2" BSP (M)</td> <td>B11</td> <td>1/2" 600 #</td> <td>B23</td> <td>1" 600 #</td> <td>B41</td> <td>2" 600 #</td> <td></td> </tr> <tr> <td></td> <td></td> <td>4BF</td> <td>1/2" BSP (F)</td> <td>B15</td> <td>3/4" 150 #</td> <td>B33</td> <td>1 1/2" 150 #</td> <td>B51</td> <td>3" 150 #</td> <td></td> </tr> <tr> <td></td> <td></td> <td>4NM</td> <td>1/2" NPT (M)</td> <td>B16</td> <td>3/4" 300 #</td> <td>B34</td> <td>1 1/2" 300 #</td> <td>B52</td> <td>3" 300 #</td> <td></td> </tr> <tr> <td></td> <td></td> <td>4NF</td> <td>1/2" NPT (F)</td> <td>B17</td> <td>3/4" 600 #</td> <td>B35</td> <td>1 1/2" 600 #</td> <td>B53</td> <td>3" 600 #</td> <td></td> </tr> </table>														Through Adaptors		Flanged (As per ANSI B 16.5)*				2NM	1/4" NPT (M)	3BM	3/8" BSP (M)	B09	1/2" 150 #	B21	1" 150 #	B39	2" 150 #	XXX	2NF	1/4" NPT (F) (Standard)	3BF	3/8" BSP (F)	B10	1/2" 300 #	B22	1" 300 #	B40	2" 300 #				4BM	1/2" BSP (M)	B11	1/2" 600 #	B23	1" 600 #	B41	2" 600 #				4BF	1/2" BSP (F)	B15	3/4" 150 #	B33	1 1/2" 150 #	B51	3" 150 #				4NM	1/2" NPT (M)	B16	3/4" 300 #	B34	1 1/2" 300 #	B52	3" 300 #				4NF	1/2" NPT (F)	B17	3/4" 600 #	B35	1 1/2" 600 #	B53	3" 600 #		
				Through Adaptors		Flanged (As per ANSI B 16.5)*																																																																																
2NM	1/4" NPT (M)	3BM	3/8" BSP (M)	B09	1/2" 150 #	B21	1" 150 #	B39	2" 150 #	XXX																																																																												
2NF	1/4" NPT (F) (Standard)	3BF	3/8" BSP (F)	B10	1/2" 300 #	B22	1" 300 #	B40	2" 300 #																																																																													
		4BM	1/2" BSP (M)	B11	1/2" 600 #	B23	1" 600 #	B41	2" 600 #																																																																													
		4BF	1/2" BSP (F)	B15	3/4" 150 #	B33	1 1/2" 150 #	B51	3" 150 #																																																																													
		4NM	1/2" NPT (M)	B16	3/4" 300 #	B34	1 1/2" 300 #	B52	3" 300 #																																																																													
		4NF	1/2" NPT (F)	B17	3/4" 600 #	B35	1 1/2" 600 #	B53	3" 600 #																																																																													
Cable Entry																																																																																						
DTE	3/4" ET duel entry with one entry plugged			ECB	3/4" ET DCCG brass		DCS 3/4" ET DCCG with one entry plugged																																																																															
DNP	1/2" NPT (F) with one entry plugged			NPB	1/2"NPT DCCG brass		DPS 1/2" NPT DCCG with one entry plugged																																																																															
ECS	3/4" ET DCCG SS			ETE	3/4" ET		2NP 1/2" NPT (F)																																																																															
							NPS 1/2"NPT DCCG SS																																																																															
Options																																																																																						
PW	Calibration certificate			WM	Wall mounting bracket (steel plated)																																																																																	
SX	SS Tag plate			PM	2" Pipe mounting					XXX																																																																												
TF	Conformity as per NACE Standard			JU	2" Pipe/yoke mounting bracket & 'U' Clamp (AISI 304 SS)																																																																																	
GH	Material test certificates***			FN	2" Pipe/yoke mounting bracket & 'U' Clamp (AISI 316 SS)																																																																																	
SG	Oxygen service			AT	ATEX Conformity Certificate																																																																																	
PU	Calibration certificate traceable to national/international standards																																																																																					
Accessories (refer individual datasheet for complete specifications)																																																																																						
EB	Cooling tower		ED	Over load protector		EG Snubber																																																																																
EC	Gauge cock		NV4	Needle valve		EH Syphon				XX																																																																												
DS	Diaphragm seals		EL	Cooling capillary		VM Manifolds																																																																																

***Material test certificates will be provided for wetted parts only with chemical composition testing.

For others, please consult factory.

Ordering Example: ZDDX . XXXX . XX . XX . X . XX . XXX . X . XXX . XXX . XX

Note : In 2 SPDT Instruments, there may be an error of max ± 2% F. S. between Micro Switches at the set point.