



GOST

Special Features

- High accuracy & repeatability
- SS wetted parts
- Set point locking
- Highly reliable
- Diaphragm seals (optional)

Applications

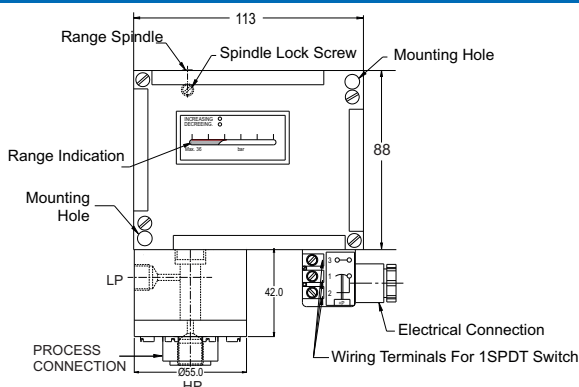
- Filter monitoring, boiler, furnace, railway engines
- Oil & gas, conventional & nuclear power plants, mines, iron & steel plants, refineries, petrochemical, food & pharmaceutical, chemical & fertilizer, cement, textile, pumps, glass, paint, pulp & paper, marine industries.

Specifications

Standard Version

Repeatability	:	± 0.5% F. S.
Scale unit	:	bar
Range	:	Refer "how to order"
Set point	:	Between 20 to 80% F. S. for better performance
Overpressure limit	:	150% of F. S.
Differential	:	Fixed
Mounting	:	Direct / Panel
Process connection	:	1/4" NPT (F)
Enclosure protection	:	W/P to IP 66
Enclosure material	:	Pressure die cast aluminum
Maximum process temperature	:	150 °C
Ambient temperature	:	-10 to 60 °C
Switch	:	1 SPDT, snap action micro switch
Switch rating	:	15 A, 250 VAC, 0.2 A, 220 VDC
High voltage strength	:	0.5 to 0.6 KV between open contacts and 2 KV between contacts and body
Insulation resistance	:	>100 M ohms at 500 V
Sensing element	:	Piston actuated diaphragm
DP chamber material	:	Aluminum (for range 5 to 600 mbar)
	:	AISI 316 SS (for range 0.5 to 20 mbar & 1 to 25 bar)
Sensing element material	:	AISI 316L SS
Cable gland	:	PG 13.5 mm
Scale Accuracy	:	± 1.0% F. S.
Conformity	:	BS 6134

Dimensional Details



Notes : • Drawings are not to scale. • All Dimensions are in mm.

How To Order						Example	
Basic Model						ZDDW	
Range (* Also available in AISI 316 SS & AISI 316L version. Refer DP chamber material)							
Ordering Code	Range (mbar)	DP Chamber Material	Ordering Code	Range (bar)	DP Chamber Material		
W020	3 to 20	AISI 316 SS	P001	0.1 to 1	AISI 316 SS	XXXX	
W060	5 to 60	Aluminum*	P002	0.2 to 2	AISI 316 SS		
W100	10 to 100	Aluminum*	P004	0.4 to 4	AISI 316 SS		
W250	25 to 250	Aluminum*	P006	0.6 to 6	AISI 316 SS		
W400	40 to 400	Aluminum*	P010	1 to 10	AISI 316 SS		
W600	60 to 600	Aluminum*	P016	1 to 16	AISI 316 SS		
			P025	2 to 25	AISI 316 SS		
Note : Other equivalent scale units like kg/cm ² , kPa, MPa, psi, mmWC etc can be provided on request.							
DP Chamber Material							
AL	ALUMINUM (Standard for Range 5 to 600 mbar only)			SL	AISI 316L SS		XX
C6	AISI 316 SS (Standard for Range 0.5 to 20 mbar & 1 to 25 bar only)						
Sensing Element Material							
SL	AISI 316L SS (Standard)					XX	
Differential							
F	Fixed (Standard)						
Note : 1 SPDT = 3 to 5% FS						X	
2 SPDT = 4.5 to 7.5% FS							
1 DPDT = 4.5 to 7.5% FS							
Type of Micro Switch							
1S	1 SPDT	2S	2 SPDT	1D	1 DPDT	XX	
Micro Switch Rating							
Switch Code	Description	AC Rating	AC Rating (Resistive)	DC Rating (Inductive)	Available on 1 SPDT	Available on 2 SPDT	
GPL	Low dead band and fixed	15 A 250 V	2 A 24 V 0.4 A 110 V 0.2 A 220 V	2 A 24 V 0.4 A 110 V 0.2 A 220 V	Fixed differential of ZPD, ZPP, ZDD	Fixed differential of ZPD, ZPP, ZDD	XXX
GPH	Standard dead band	15 A 250 V	6 A 24V 0.5 A 110 V 0.25 A 220 V	5 A 24 V 0.05 A 110 V 0.03 A 220 V	Fixed differential of ZPD, ZPP, ZDD	Fixed differential of ZPD, ZPP, ZDD	
GPA	Adj. differential micro switch	15 A 250 V			Adj. differential of of ZPD, ZPP, ZDD	NA	
GPG	Gold plated contact	1 A 125 V	0.5 A 28 V		Fixed differential of ZPD, ZPP, ZDD	Fixed differential of ZPD, ZPP, ZDD	
SES	Environmentally sealed silver contact	15 A 250 V	0.4 A 125 V		Fixed differential of ZPD, ZPP, ZDD	Fixed differential of ZPD, ZPP, ZDD	
SEG	Environmentally sealed silver contact		1 A 28 V		Fixed differential of ZPD, ZPP, ZDD	Fixed differential of ZPD, ZPP, ZDD	
HSS	Hermetically sealed silver plated	4 A 230 V	3 A 28 V	2 A 24 V	Fixed differential of ZPD, ZPP, ZDD	Fixed differential of ZPD, ZPP, ZDD	
HSG	Hermetically sealed gold plated	1 A 125 V	NA	NA	Fixed differential of ZPD, ZPP, ZDD	Fixed differential of ZPD, ZPP, ZDD	
HDC	High DC rating	10 A 125 V	10 A 125 V	6 A 125 V	Fixed differential of ZPD, ZPP, ZDD	Fixed differential of ZPD, ZPP, ZDD	
DPD	DPDT Micro switch	10 A 125 V	0.2 A 250 V		Fixed & adjustable differential of ZPD, ZPP, ZDD	NA	

How To Order							Example			
Calibration							X			
I	Increasing	D	Decreasing (not applicable for adj. differential)							
Process Connections (* Please mention the flange face and flange finish)							XXX			
		Through adaptors		Flanged (As per ANSI B 16.5)*						
2NM	1/4" NPT (M)	3BM	3/8" BSP (M)	B09	1/2" 150 #	B21		1" 150 #	B39	2" 150 #
2NF	1/4" NPT (F) (Standard)	3BF	3/8" BSP (F)	B10	1/2" 300 #	B22		1" 300 #	B40	2" 300 #
		4BM	1/2" BSP (M)	B11	1/2" 600 #	B23		1" 600 #	B41	2" 600 #
		4BF	1/2" BSP (F)	B15	3/4" 150 #	B33		1 1/2" 150 #	B51	3" 150 #
		4NM	1/2" NPT (M)	B16	3/4" 300 #	B34		1 1/2" 300 #	B52	3" 300 #
		4NF	1/2" NPT (F)	B17	3/4" 600 #	B35		1 1/2" 600 #	B53	3" 600 #
Cable Entry								XXX		
DIN	DIN Connection*	ETE	3/4" ET	ECB	3/4" ET DCCG Brass	4PN			4 PIN Connection*	
PGE	PG 13.5 (Std)	2NP	1/2" NPT (F)	NPB	1/2"NPT DCCG Brass	7PN	7 PIN Connection			
ECS	3/4" ET DCCG SS	NPS	1/2"NPT DCCG SS							
* For 1 SPDT										
Options							XX			
PW	Calibration certificate			WM	Wall mounting bracket (steel plated)					
SX	SS Tag plate			PM	2" Pipe mounting					
TF	Conformity as per NACE Standard			JU	2" Pipe/yoke mounting bracket & 'U' clamp (AISI 304 SS)					
GH	Material test certificates***			FN	2" Pipe/yoke mounting bracket & 'U' clamp (AISI 316 SS)					
SG	Oxygen service									
PU	Calibration certificate traceable to national/international standards									
Accessories (refer individual datasheet for complete specifications)										
EB	Cooling tower	ED	Overload protector	EG	Snubber					
EC	Gauge cock	NV4	Needle valve	EH	Syphon					
DS	Diaphragm seals	EL	Cooling capillary	VM	Manifolds					

***Material test certificates will be provided for wetted parts only with chemical chemical composition testing.
For others, please consult factory.

Ordering Example: ZDDW . XXXX . XX . XX . X . XX . XXX . X . XXX . XXX . XX

Note : In 2 SPDT Instruments, there may be an error of max ± 2% F. S. between Micro Switches at the set point.