

Industrial Pressure Transmitter

Model PT11

Features

- Compact design
- Rugged stainless steel construction
- High shock and vibration stability
- Reverse polarity and limit protection
- High accuracy, stability, and reliability
- Protection IP67 / IP65

Ranges

0 ... 1.5 psi up to 0 ... 15,000 psi
 0 ... 0.1 bar up to 0 ... 1000 bar & kg/cm²
 0 ... 10 kPa up to 0 ... 100,000 kPa

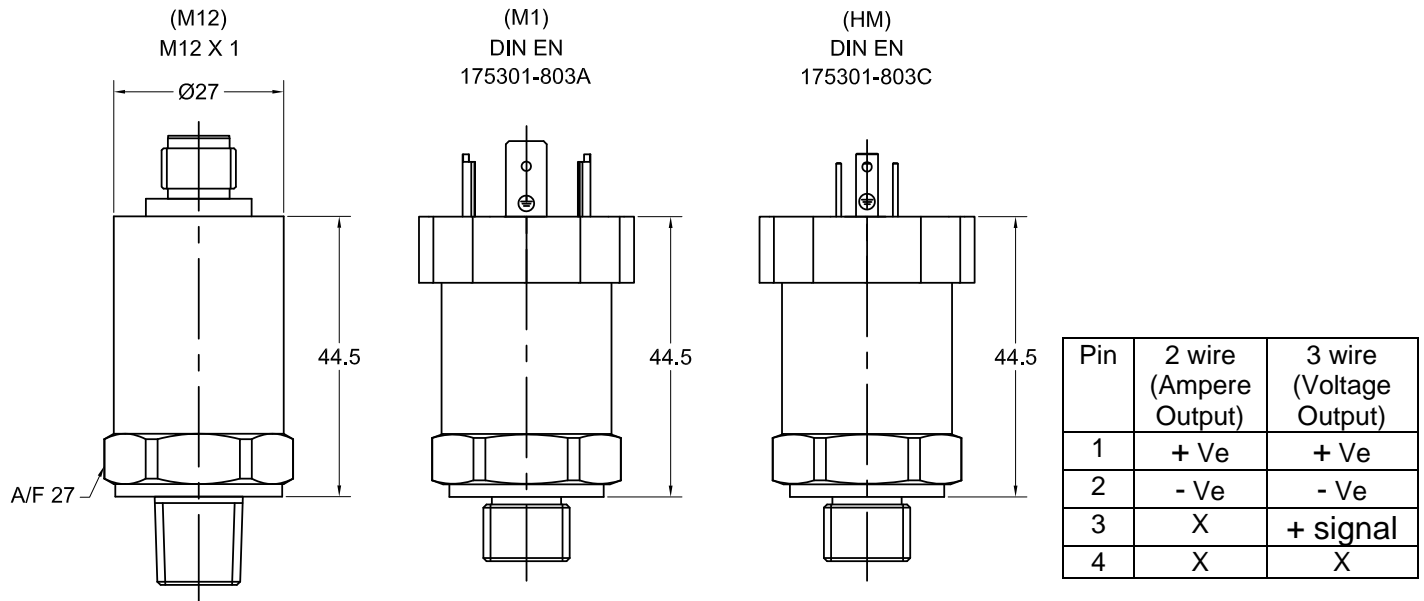
Applications

Machine and construction apparatus
 Hydraulic and Pneumatics systems
 Refrigeration and air conditioning
 Emissions monitoring
 Power generation
 Automation



Technical specifications	PT11		
Measuring principle	Piezo resistive sensors		
Range in mbar	100 160 250 400 600		
Range in bar (kg/cm ²)	1 1.6 2.5 4 6 10 16 25 40 60 100 160 250 400 600 1000		
Overpressure limit	-1/0 -1/3 -1/5 -1/9 -1/15		
Pressure type	150% of FS, Max 1100 bar		
Process connection	G 1/4 male according DIN 3852 Part 11 Form E, 1/4" NPT (M), 1/2" NPT (M), 1/2" BSP (M) Others on request		
Material Wetted Part	Stainless Steel 316L		
Process connection	Stainless Steel 316L		
Sensor	Stainless Steel 316L		
Housing	Stainless Steel 300 series		
Seals	FKM		
Power supply	11 ... 28 VDC	14 ... 28 VDC	5 VDC ± 10%
Output signal	4 ... 20 mA (2 wires)	0 ... 5 VDC (3 wires) 1 ... 5 VDC (3 wires)	0 ... 10 VDC (3 wires) 1 ... 9 VDC (3 wires)
Maximum Loop Resistance	(U – 12V)/0.02 Ω		
Insulation Voltage	100V, 100MΩ		
Electrical connection	4 PIN angle connector DIN EN 175301-803 A, DIN EN 175301-803 C (IP65) M12 Round Connector (IP67), Direct Cable Connection		
Accuracy	≤ 0,5 % FS, optional ≤ 0,25 % FS (Including Linearity, Hysteresis, Zero offset & Span offset), at Room Temperature		
Long term stability	≤ 0,2 % FS / year		
Permissible	-20 ... 80 °C		
Operation temperature	-40 ... 125 °C		
Medium temperature	-25 ... 85 °C		
Storage temperature			
Stability	10gRMS, (20~2000) Hz		
Vibration resistance	100g, 11ms		
Shock resistance			
Protection acc. EN 60 529/IEC 529	IP67 / IP65, depending on cable entry		
Weight in kg	~ 0.20		

General dimensions in mm



Order information

Output signal	Accuracy	Range	Engineering unit	Protection	Process connection	Electrical connection	Options	
(42) 4/20 mA	(050) $\leq 0,50\%$	0/ 100	mbar	(=) IP65	(MG9) G ¼ A male Form E ³⁾	(M1) 4 Pin Angle connector DIN EN 175301-803 A ⁴⁾	(NH) Tagging Wired	
(05) 0/5 VDC	(025) $\leq 0,25\%$	0/ 250		(N) IP67 ²⁾				
(15) 1/5 VDC	(Including Linearity, Hysteresis, Zero offset & Span offset)	0/ 400			(04) 1/2" NPT (M)	(HM) 4 Pin Angle connector DIN EN 175301-803 C ⁴⁾		
(10) 0/10 VDC		-1/ 0	bar		(02) 1/4" NPT (M)			
(19) 1/9 VDC		-1/ 3	bara ¹⁾		(15) 1/2" BSP (M)	(M12) M12 Circular Connector		
(RM) 0.5/4.5 VDC ratiometric to 5 VDC supply		-1/ 5	(absolute)					
		-1/ 9						
		-1/ 15						
		0/ 1						
		0/ 1,6						
		0/ 2,5						
		0/ 4						
	0/ 6							
0/ 10								
0/ 16								
0/ 25								
0/ 40								
0/ 60								
0/ 100								
0/ 160								
0/ 250								
0/ 400								
0/ 600								
0/ 1000								
others on request		others on request	Equivalent ranges in kPa, MPa, psi, kg/cm ² and others units available		others on request			

1) Available for ranges 1 to 60 bar (15 to 1000 psi) 2) For electric Connection M12 only 3) Maximum range 400 bar 4) IP65 only

How to order

Type	Output signal	Accuracy	Range	Engineering unit	Protection	Process connection	Electrical connection	Option
PT11	42	025	0/10	BAR	=	MG9	M1	NH

Precision Mass Products Pvt. Ltd.

Plot No.: 2306, G.I.D.C. Chhatral, Ta: Kalol, Dist.: Gandhinagar, Chhatral -382729, Gujarat, India.

Telephone: +91-2764 233681/82/83

Email: sales@precisionmass.com

Fax: +91-2764-233440

www.precisionmass.com

- North Zone : sales.delhi@precisionmass.com
- East zone : sales.kolkata@precisionmass.com
- West zone : sales.mumbai@precisionmass.com
- South zone : sales.chennai@precisionmass.com