

Pressure switch For Railway Model PSR

WIKA data sheet PSR

Applications

- Brake panel
- Pneumatic panel

Special features

- Stainless steel bellows
- High class micro switch
- Adjustable differential
- Heavy duty compact switch
- Gasketed die cast enclosure – dust and moisture tight to IP65

Description

The Model PSR is an electromechanical pressure switch designed for 3-phase loco. This compact version is with UL certified micro switch and stainless steel bellows to ensure high endurance with durable operation and long service life.

Model PSR is with aluminum die cast enclosure with plastic cover to ensure IP 65 protection. The model comes with inbuilt adjustable differential within micro switch which allows user to adjust switch points as per application. The model PSR offers many application possibilities with non-corrosive media like oil, water and air.



Fig. top: Pressure switch, model PSR

Fig. bottom: Pressure switch, model PSR with
DIN connector

Specifications

Case

Enclosure aluminium die cast, cover polycarbonate

IP protection as per IEC/EN 60529

IP 65

Measuring element

Bellows, Stainless Steel 316L

Process connection

Brass, 1/4" BSP(F) per ISO 228-1

Switch point repeatability

± 2% of FSR

Operating pressure

11 Kg/cm²

Maximum working pressure

16 Kg/cm²

Permissible temperature ranges

- Ambient : -25 ... 70 °C [-13 ... +158 °F]
- Medium: -20 ... +100 °C [-4 ... +212 °F]
- Storage: -20 ... +70 °C [-4 ... +158 °F], for short periods not exceeding 24 h, up to +80 °C [+176 °F]

Relative humidity as per BS 6134

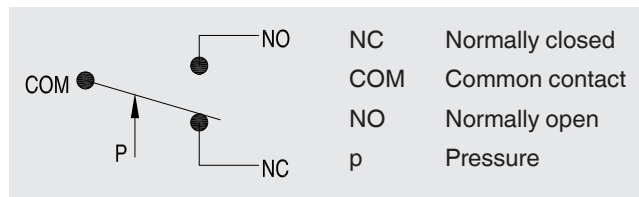
- < 50 % r. h. at 40 °C [104 °F]
- < 90 % r. h. at 20 °C [68 °F]

Electrical rating

- 15A 125/250V AC
- 2A 110V DC
- 10A 125/250V AC with DIN connector
- 2A 110V DC with DIN connector

Switching function

1 x SPDT (single pole double throw)



Electrical connection

1/2" NPT per ANSI B1.20.1

Mounting

- Direct
- Panel

Weight

610g Approx

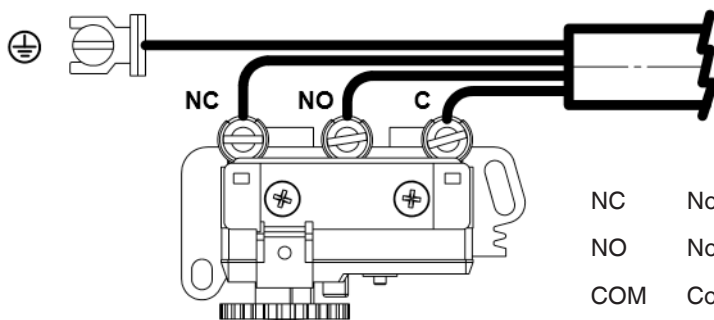
Blind scale

For guidance only

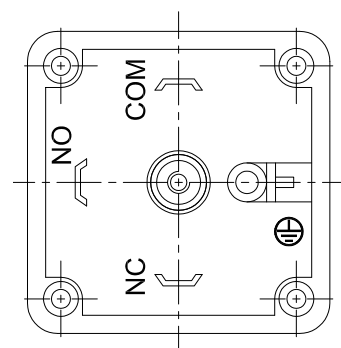
Range table

Model	Range Kg/Cm ²	Differential Kg/Cm ²	Maximum Working pressure Kg/Cm ²
PSR-01	0.2 ... 11	0.3 ... 1.6	16
PSR-02	0.2 ... 11	1.0 ... 3.0	16

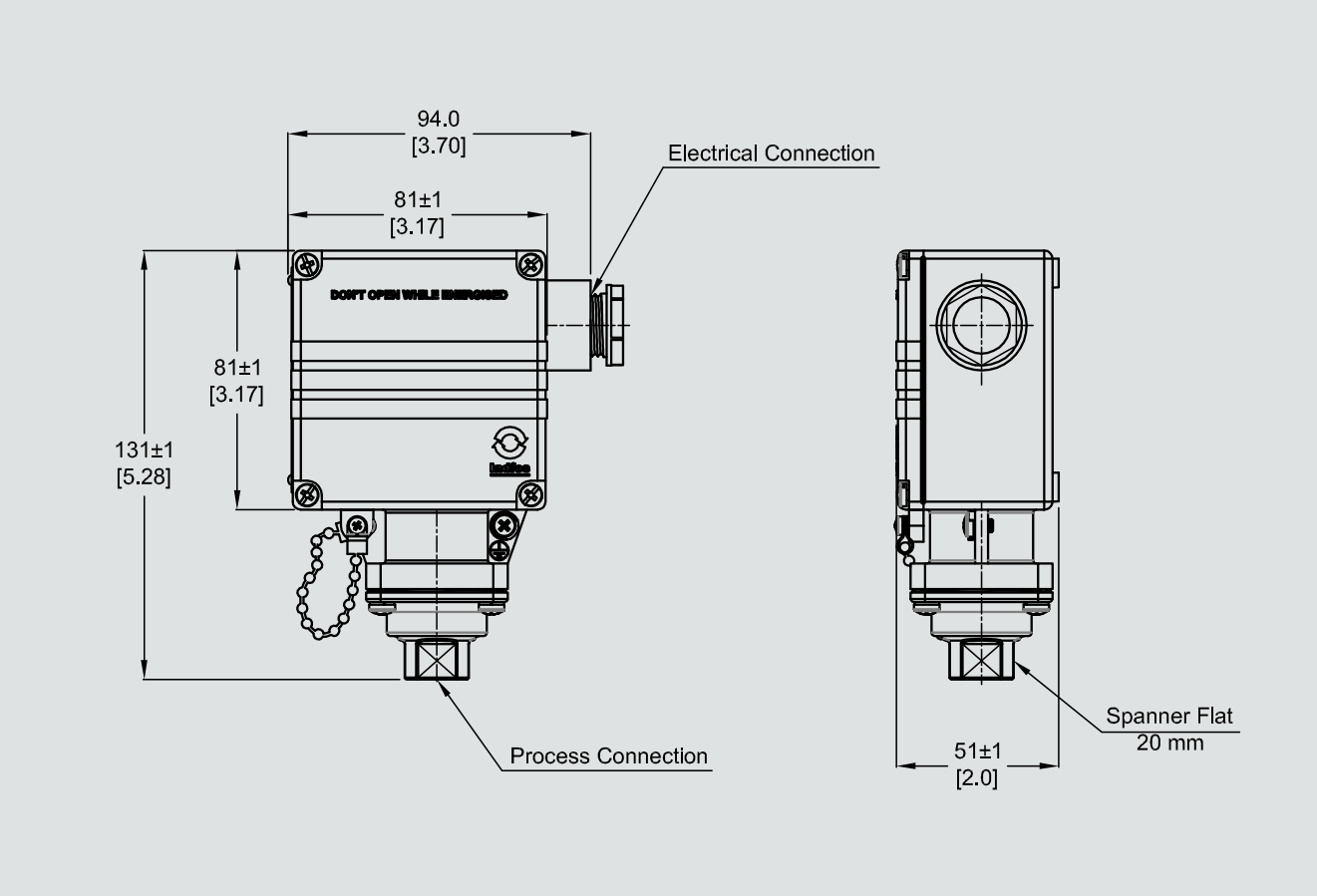
Terminal assignment



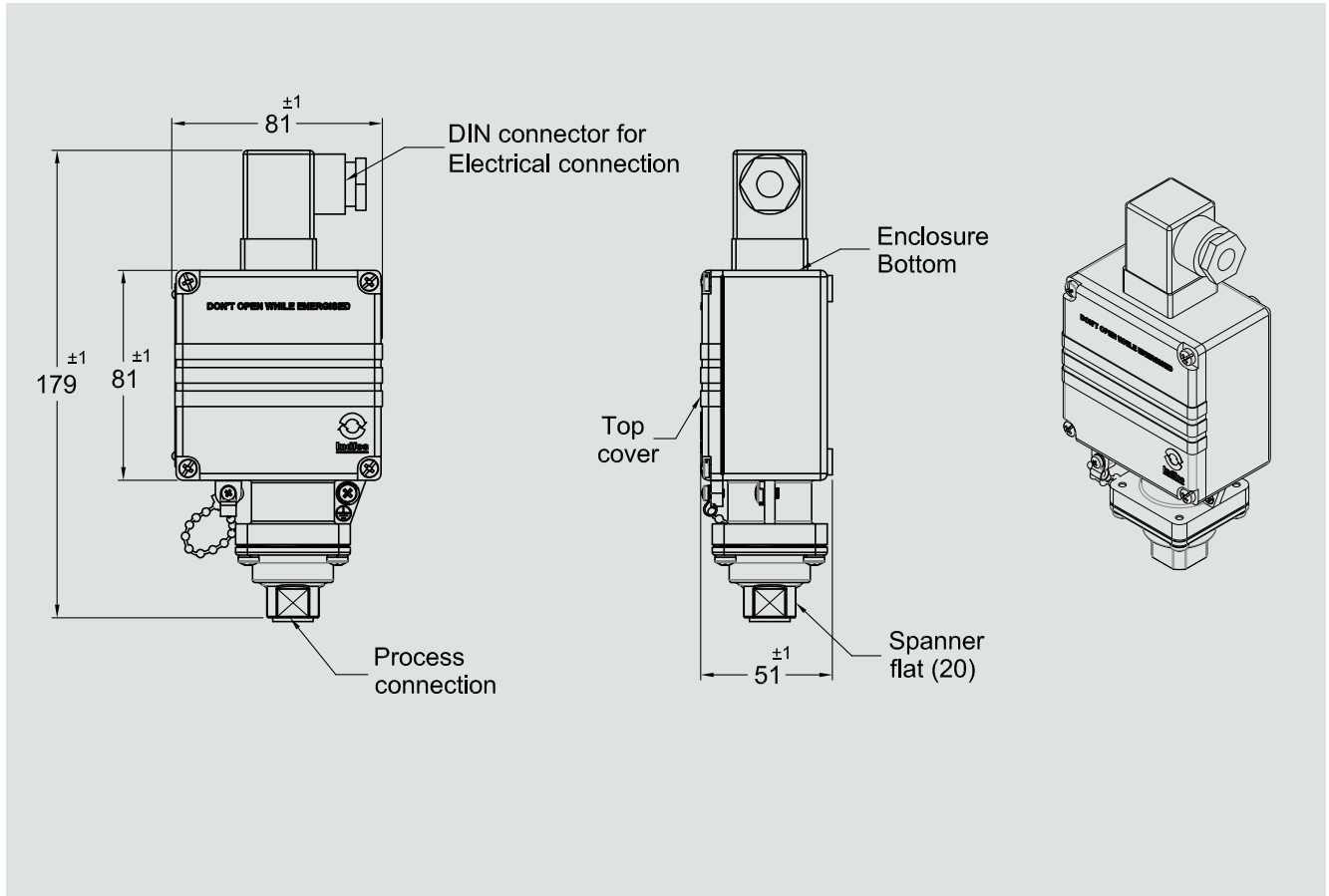
- NC Normally closed
- NO Normally open
- COM Common contact
- ⊕ GND Ground connection



Dimensions in mm [in]



Dimensions in mm



Ordering information

Model / Range / Differential

11/2020 Switzer Process Instruments Pvt. Ltd. all rights reserved.
The specifications given in this document represent the state of engineering at the time of publishing.
We reserve the right to make modifications to the specifications and materials.

