

DM

Diaphragm Seal
Wafer (Pan Cake) type



Special Features

- Laser welded diaphragm
- Suitable for slurry & high viscous service
- Easy to clean
- Flush fitment in pipeline
- Flushing ring, flange & diaphragm are available in various type of SS & exotic materials.

Application

- Diaphragm seals are provided in the instruments like pressure gauges, switches, transmitters in order to isolate the sensing element from the main service due to its corrosive, viscous and sedimented nature and to avoid clogging and solidification
- These kind of seals are widely used in the viscous & corrosive services where flushing is required periodically & frequently



GOST

Specifications

Standard Version

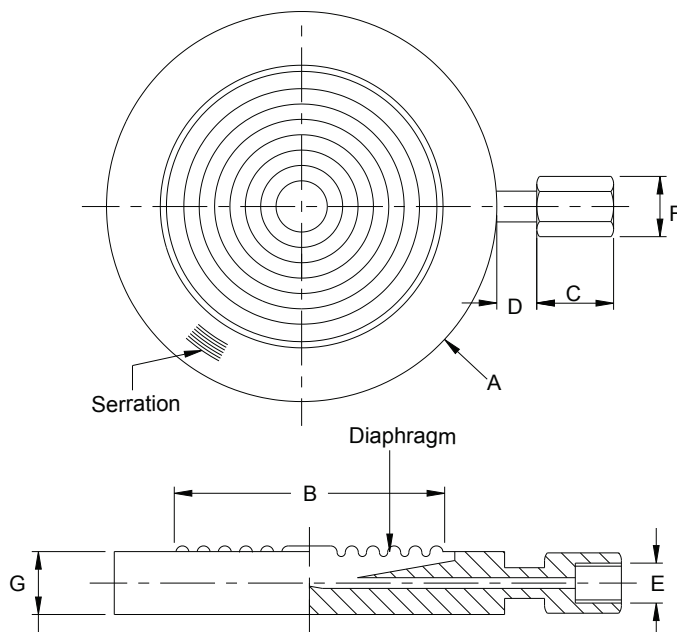
(Compatible models : AC, AE, AH, AI, AL & BE)

Range	:	1 kg/cm ² to 160 kg/cm ² *
Process temperature	:	-40°C to 200°C or as per fill fluid
Instrument connection	:	1/4" NPT (F)
Process connection	:	Flange (As per ANSI/BS/DIN/JIS), Suitable for 2" & above
Flange finish	:	Finish 125-250 AARH

* Range of selected instrument shall be suitable to flange pressure rating.

Diaphragm	:	AISI 316L SS
Pan Cake Body / Flange	:	AISI 316 SS
Fill Fluid	:	Silicon Oil - DC 200

Dimensions



A	B	C	D	E	F	G
**	***	20	*	1/4" NPT(F)	17 HEX.	22

* To suit flange raised face

** 2" & above Flanges as per ANSI, BS, DIN, JIS etc.

*** Diaphragm size as per pressure range

Notes : • Drawings are not to scale.

• All Dimensions are in mm.

Range

Flange Connection Codes

As Per DIN 2527

DN	PN	CODE
50	6	A51
	10	A52
	16	A53
	25	A54
	40	A55
	64	A56
	100	A57
	160	A58
	250	A59
	400	A60

DN	PN	CODE
80	6	A71
	10	A72
	16	A73
	25	A74
	40	A75
	64	A76
	100	A77
	160	A78
	250	A79
	400	A80

As Per ANSI B 16.5

NOMINAL SIZE	RATING /CLASS	CODE
2"	150	B39
	300	B40
	600	B41
	900	B42
	1500	B43
	2500	B44
3"	150	B51
	300	B52
	600	B53
	900	B54
	1500	B55
	2500	B56

As Per BS - 10

NOMINAL SIZE	TABLE	CODE
2"	D	C15
	E	C16
	F	C17
	H	C18
	J	C19
	K	C20
3"	D	C27
	E	C28
	F	C29
	H	C30
	J	C31
K	C32	

As Per JIS - B 2210

NOMINAL SIZE	RATING /CLASS	CODE
50A	5K	B75
	10K	B76
	40K	B77
80A	5K	B81
	10K	B82
	40K	B83

As Per DIN 2633

DN	PN	CODE
50	16	A87
80		A89

As Per DIN 2642

DN	PN	CODE
50	10	A96
80		A98

As Per DIN 2635

DN	PN	CODE
50	40	B06
80		B08

Raised face : **A2**
Flat face : **A3**

How to Order

E.g. For flange size of 2" AS per BS-10 table E with raised face : C16 - A2
Note : Flange finish will be 125-250 AARH for other finish, please specify in order

Basic Model

Code

Optional Extras [It is recommended that the MOC of diaphragm should be equivalent.]

Diaphragm

UJ	AISI 316L SS (Standard)	UL	Hastelloy 'C'	UR	Titanium	UW	Inconel 600
UM	Monel	UQ	Tantalum	UN	Nickel		

Pan Cake Body / Flange (Suitable for 2" or 3" DIN/ANSI/BS/JIS Flanges)

ZR	For 2" flange size - AISI 316L SS
ZS	For 3" flange size - AISI 316L SS
KH	For 2" flange SIZE - Hastelloy C
KI	For 3" flange SIZE - Hastelloy C

Instrument Connection

VN	1/4" BSP (F)
VO	1/4" NPT (F) (Standard)
VP	3/8" BSP (F)

Flange Material

TM	AISI 316 SS (Standard)
TL	AISI 316L SS
TT	Hastelloy C

Protection On Wetted Parts

VZ	PTFE coating on diaphragm (Max. up to 315 °C)
-----------	---

Filling fluids (* Consult factory for specifications, price and delivery.)

US	Flurolube 4.2 [-45 to 175 °C]	UY	Silicon DC 704 [10 to 337 °C]
UT	Flurolube 6.3 [-40 to 235 °C]	UZ	Silicon DC 710 [7 to 371 °C]
UU	Flurolube FS-5 [-28 to 148 °C]	VA	Syltherm 800 [-40 to 315 °C]
UV	Food grade oil [-20 to 140 °C]	VB	Syltherm XLT [-100 to 260 °C]
UX	Silicon DC 200 [-40 to 205 °C] (Standard)	VC	Halocarbon oil*

Example

DM

XX

XX

XX

XX

XX

XX

How to Order	Example
Remote Mounting (With capillary of max. up to 2 mtrs.)	
Specify in meters (e.g. 1.5 = 1.5 meters 2.0 = 2 meters)	1 Mtr.
Capillary	
PE AISI 304 SS	XX
PG AISI 316 SS	
Capillary Covered with Armour (Applicable with PE or PG if selected)	
PF AISI 304 SS	XX
PH AISI 316 SS	
PI PVC (Ambient Temp. Max. 60°C)	
Options	
TB Helium leak test	XX
TC Dry seal only without instrument	
GH Material test certificates*	

***Material test certificates will be provided for wetted parts only with chemical composition testing.

For others, please consult factory.

Refer datasheet EE for selection of flushing rings

Ordering Example: DM . XX . XX . XX . XX . XX . XX . 1Mtr . XX . XX . XX

For other optional items, please contact factory for delivery and minimum quantity of order.

Note : Specifications and dimensions given in this product catalogue represents the state of engineering at the time of printing. Modifications may take place and materials specified may be replaced by others without prior notice.