



Special Features

- All AISI 316 SS construction
- Light weight
- Economical
- Ideal choice for high pressure
- The diaphragm is welded to the body to ensure separation of the filling fluid from the process medium

Application

- Diaphragm seals are designed to isolate the sensing element of pressure gauges and pressure switches from process fluids that they may be corrosive, viscous, sedimentous and / or with a high temperature



GOST

Specifications

Standard Version

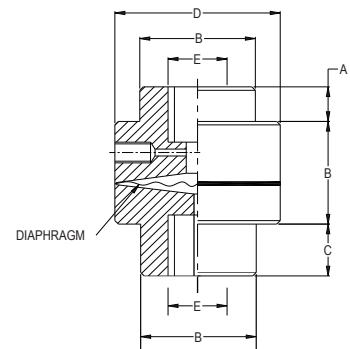
(Compatible models : AC, AE, AH, AI, AL, AQ, BA, BE, BI, BJ, BQ & BT)

Seal type & Range	: S11 = -1 kg/cm ² to 0 & 0 to 4 kg/cm ² (Standard)
	: S12 = 6 kg/cm ² to 70 kg/cm ²
	: S13 = 100 kg/cm ² to 400 kg/cm ²
	: S14 = 250 kg/cm ² to 600 kg/cm ²
Process temperature	: - 40 °C to 200 °C or as per fill fluid
Instrument connection	: 1/2" BSP (F)
Process connection	: 1/4" BSP (F) for type S14
	: 1/2" BSP (M)
Fill fluid	: Silicon Oil - DC 200
	: 1/4" BSP (F) for type S14
Mounting	: Direct (without capillary)

Diaphragm	: AISI 316L SS
Body	: AISI 316 SS

Dimensions - Standard Version

TYPE "S14"

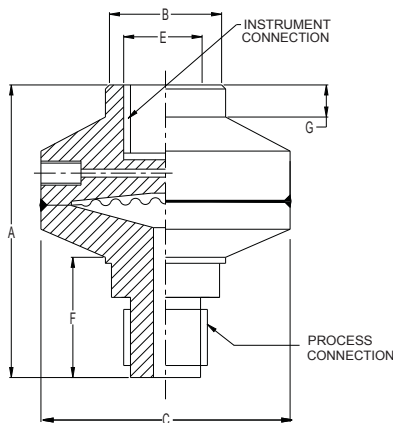


A	B	C	D	E	Approx. Wt.#
10	30	10	34	1/4" BSP(F)	350.0

(# Weight in grams with box for Standard Model.)

Dimensions - Standard Version

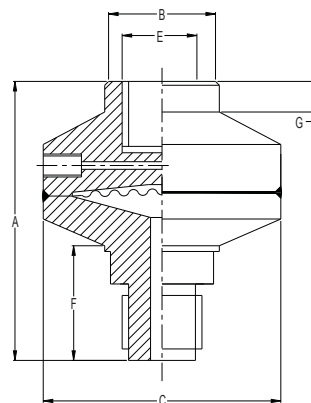
TYPE "S11"



A	B	C	E	F	G	Approx. Wt.#
73	30	62	1/2"BSP(F)	30	8	700.0

(# Weight in grams with box for Standard Model.)

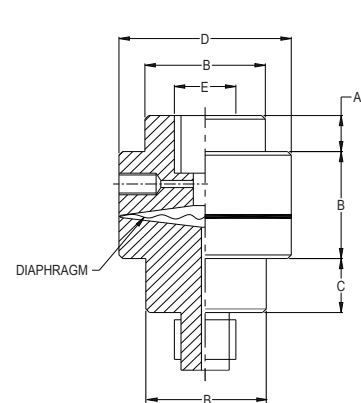
TYPE "S12"



A	B	C	E	F	G	Approx. Wt.#
68.5	30	53	1/2"BSP(F)	35	8	600.0

(# Weight in grams with box for Standard Model.)

TYPE "S13"



A	B	C	D	E	Approx. Wt.#
10	22	15	46.5	1/2"BSP(F)	400.0

(# Weight in grams with box for Standard Model.)

How to Order					
Basic Model					DG
Code					
Optional Extras					XXX
[It is recommended that the MOC of Diaphragm should be equivalent.]					
SEAL TYPE					XXX
S11 1 kg/cm ² to 0 & 0 to 4 kg/cm ² (Standard)	S13 100 kg/cm ² to 400 kg/cm ²				
S12 6 kg/cm ² to 70 kg/cm ²	S14 250 kg/cm ² to 600 kg/cm ²				
Instrument Connection (*For seal type S14)					XX
VN 1/4" BSP(F) (Standard)*	VP 3/8" BSP (F)	VL 1/2" BSP (F) (Standard)			
VO 1/4" NPT (F)		VM 1/2" NPT (F)			
Top Chamber					XX
CL AISI 316 SS (Standard)	CM AISI 316L SS	XW AISI 304 SS			
Diaphragm					XX
UJ AISI 316L (Standard)					
Bottom Chamber					XX
TM AISI 316 SS (Standard)	TL AISI 316L SS	TT Hastelloy 'C'	TX MONEL		
Process Connection (*For seal type S14)					XX
WE 1/4" BSP(F) (Standard)*	WI 1/4" NPT (F)	WY 1/4" NPT(M)	WS 1/4" BSP(M)		
WC 3/8" BSP(F)	WH 1/2" NPT (F)	WA 1/2" NPT(M)	WT 3/8" BSP(M)		
WD 1/2" BSP(F)			WU 1/2" BSP(M) (Standard)		
Note : Connections like Metric, PT/ PF/ Flaired / UNF/ G/ R etc can be provided on request.					
Filling Fluids (* Consult Factory For Specifications, Price And Delivery.)					XX
US Fluorolube 4.2 [-45 to 175 °C]	UY Silicon DC 704 [10 to 337 °C]				
UT Fluorolube 6.3 [-40 to 235 °C]	UZ Silicon DC 710 [7 to 371 °C]				
UU Fluorolube FS-5 [-28 to 148 °C]	VA Syltherm 800 [-40 to 315 °C]				
UV Food Grade OIL [-20 to 140 °C]	VB Syltherm XLT [-100 to 260 °C]				
UX Silicon Dc 200 [-40 to 205 °C] (Standard)	VC Halocarbon OIL*				
Remote Mounting (with Capillary Of Max. Up To 2 Mtrs.)					3Mtr.
Specify In Meters (e.g. 1.5 = 1.5 METERS 2.0 = 2 METERS)					
Capillary					XX
PE AISI 304 SS	PG AISI 316 SS				
Capillary Covered With Armour (Applicable with PE or PG if selected)					XX
PF AISI 304 SS	PH AISI 316 SS	PI PVC (Ambient Temp. Max. 60°C)			
Other Options					XX
TB Helium Leak Test	TC Dry Seal Only Without Instrument	GH Material Test Certificates*			

* Material Test Certificates Will Be Provided For Wetted Parts Only With Chemical Composition Testing. For Others, Please Consult Factory.

Ordering Example: DG . XXX . XX . XX . XX . XX . XX . 3Mtr. . XX . XX . XX

For other optional items, please contact factory for delivery and minimum quantity of order.

Note : Specifications and dimensions given in this product catalogue represents the state of engineering at the time of printing. Modifications may take place and materials specified may be replaced by others without prior notice.