

Special Features

- All 316 stainless steel
- Laser welded flush diaphragm
- Quick connect / disconnect for easy cleaning
- Matching DIN, SMS, RJT etc. standards

Application

- Diaphragm seals are provided in the instruments like pressure gauges, switches, transmitters in order to isolate the sensing element from the main service due to its corrosive, viscous and sedimented nature and to avoid clogging and solidification. These seals are specially designed for applications where high purity in the process is essential.- typically in food, beverages, dairy and pharmaceutical industries



GOST

Specifications

Standard Version

(Compatible models : AD (NS 50 mm & 63 mm), AL (NS 100 mm & 150 mm), AI, BE, BI & BJ)

Range	:	Refer range table with nominal sizes
Process temperature	:	10°C to 150°C or as per fill fluid
Instrument connection	:	1/2" BSP (F)
Process connection	:	As per DIN 11851, SMS, RJT, IDF
Mounting	:	Direct (without capillary)

Diaphragm	:	AISI 316L SS
Unit nut	:	AISI 316 SS
Body	:	AISI 316 SS
Fill fluid	:	Glycerin

Dimensions - Standard Version

DIN 11851

DN	M	F(DIN 405)
25*	20	Rd 52 x 1/6
32	30	Rd 58 x 1/6
40	30	Rd 65 x 1/6
50	40	Rd 78 x 1/6

* Connection 1/4" BSP (F)

SMS

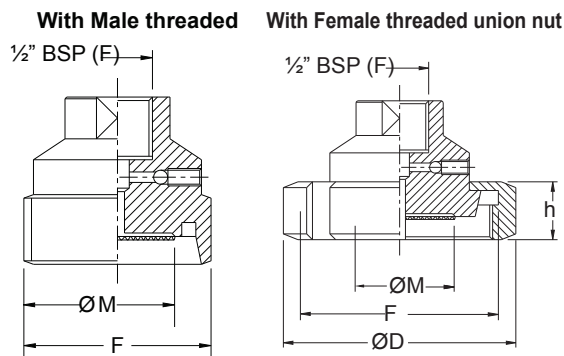
DN	M	F(DIN 405)
1 1/2"	30	Rd 60 x 1/6
2"	40	Rd 70 x 1/6

RJT/APV

DN	M	F (Whitworth)
1 1/2"	30	2" 5/16 x 8
2"	40	2" 7/8 x 6

IDF/ISS

DN	M	F(ACME)
1 1/2"	29	2" 1/32 x 8
2"	36	2" 9/16 x 8



DIN 11851

DN	h	D	M	F(DIN 405)
25*	21	63	30	Rd 52 x 1/6
32	21	70	30	Rd 58 x 1/6
40	21	78	40	Rd 65 x 1/6
50	22	92	50	Rd 78 x 1/6

* Connection 1/4" BSP (F)

SMS

DN	h	D	M	F(DIN 405)
1 1/2"	25	74	30	Rd 60 x 1/6
2"	26	84	40	Rd 70 x 1/6

RJT/APV

DN	h	D	M	F (Whitworth)
1 1/2"	22	Hex. 65	30	2" 5/16 x 8
2"	22	Hex. 79	40	2" 7/8 x 6

IDF/ISS

DN	h	D	M	F(ACME)
1 1/2"	30	64	30	2" 1/32 x 8
2"	30	77	40	2" 9/16 x 8

Notes : • Drawings are not to scale. • All Dimensions are in mm.

Range Table With Nominal Sizes

Nominal Size of Gauge	50 & 63 mm	50 & 63 mm	50, 63, 100 & 150 mm	50, 63, 100 & 150 mm
Connection Standard	DIN/ IDF/ ISS	DIN/ IDF/ ISS/ SMS/ RJT	DIN/ IDF/ ISS/ SMS/ RJT	DIN
Connection Size	25 mm (1")	32 mm (1.5")	40 mm (2")	50 mm
Ranges (bar)				
1.6	✓	✓	✓	✓
2	✓	✓	✓	✓
4	✓	✓	✓	✓
7	✓	✓	✓	✓
10	✓	✓	✓	✓
14	✓	✓	✓	✓
16	✓	✓	✓	✓
21	✓	✓	✓	✓
25	×	×	✓	✓
28	×	×	✓	✓
40	×	×	✓	✓
-1 to 4	×	✓	✓	✓
-1 to 7	×	✓	✓	✓
-1 to 10	×	✓	✓	✓
-1 to 14	×	✓	✓	✓
-1 to 21	×	✓	✓	✓

