



GOST

Specifications

Standard Version : 150 mm

Accuracy	: ±1.6% of F. S. for ranges up to 1 bar : ±1.0% of F. S. for ranges 1 bar to 6 bar
Ambient temperature	: - 25°C to + 65°C
Process temperature	: Max 100°C
Static pressure	: 6 kg/cm ² up to ranges 0.6 bar : 25 kg/cm ² for ranges 1 bar to 2.5 bar : 40 kg/cm ² for ranges 4 bar to 6 bar
Over pressure limit	: 130% of Max. Scale Value

Case & Bezel	: AISI 304 SS (Bayonet Type)
Bellow	: AISI 316L SS
Process connection	: ½" NPT(M) x 2 Nos.
Movement	: AISI 304 SS

Protection	: IP 65
Dial	: Aluminum, black graduation on white background
Pointer	: Aluminum, black coloured, Micrometer Zero Adjustable
Window	: Shatterproof / Safety Glass
Gasket & Filling Plug	: Neoprene
Blow Off Disc	: Neoprene
Scale Amplitude	: 80° to 270° (Depends on Range)

Glycerine filled version (option PY)*

Accuracy	: ±1.0 % of F. S.
Ambient Temperature	: Maximum 65°C
Process Temperature	: Maximum 65°C
Window	: Plexi Glass
Dampening Liquids	: Glycerin 99.7%
Other Features	: Refer Specification of Standard Version

*Suitable for ranges 1 bar to 6 bar

Temperature effect :

The variation of indication caused by effects of temperature is to be calculated by below formula; which is to be added in the specified accuracy while measurement :- Formula : ± 0.08 x (t₂ - t₁) % of F. S. where t₁ = reference temperature (+20°C) and t₂ = ambient temperature in °C.

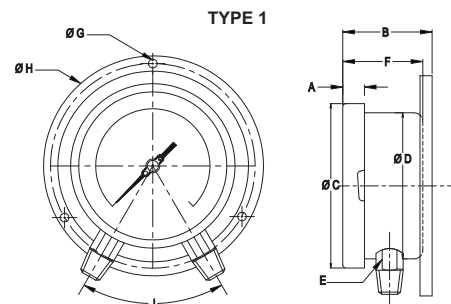
Special Features

- Case & measuring system in ss
- Dry or liquid filled
- Accuracy up to 1.0% F. S.
- Standard followed in general EN 837 - 3

Application

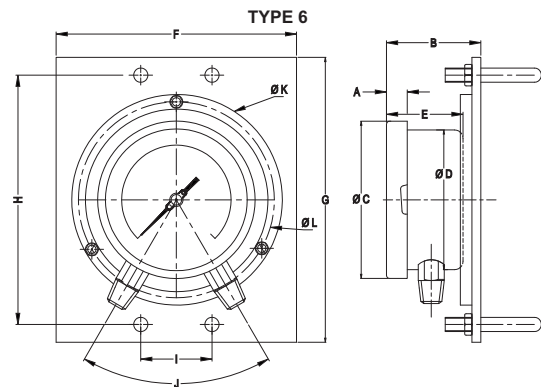
- Chemicals
- Refinery
- Nuclear
- Aerospace
- Petrochemicals
- Pharmaceutical
- Pharmaceutical
- Power
- Cement
- Sugar
- Food & beverages
- Pulp
- Paper & allied process industries

Dimensions - standard version



NS	A	B	ØC	ØD	E	F	ØG	ØH	ØI	J	Weight in gram (With Box)
150	15	96	161	149	22	90	6	186	168	60°	2200

BQ model bottom entry with surface mounting



NS	A	B	ØC	ØD	E	F	G	H	I	J	ØK	ØL	Weight in gram (With Box)
150	15	99	161	149	90	200	250	220	69	60°	186	168	2000

- Notes :**
- Drawings are not to scale.
 - All Dimensions are in mm.
 - NS = Nominal Size

Range Table

Note : We offer Pressure, Vacuum and Compound ranges in Scales like kPa, MPa, bar, psi, kg/cm² & Dual Scale like kPa with psi, kPa with bar, bar with psi or scales as per the requirement can be provided on request. Following are the example tables for kg/cm² & psi scales

Pressure range (Single Scale)

Low Pressure	High Pressure			Accessories
mmWC	kg/cm ²	kg/cm ²	kg/cm ²	Manifolds
0/4000	0/1	0/2	0/4	(Refer Individual Datasheet for complete specifications)
0/6000	0/1.6	0/2.5	0/6	

Note : Other Scale are available on customer request.

How To Order

Example

Basic Model				BQ
Code				
Nominal Size		H		X
		150 mm		
Type of Mounting				
1 Wall / surface / projection mounting with bottom entry				X
6 2" pipe / yoke mounting with bottom entry (mounting bracket will be provided of steel epoxy painted.)				
Process Connection				
4NM ½" NPT (M) x 2 Nos.(Standard)				XXX
Note : Connections like Metric/ PT/ PF/ Flaired/ UNF/ G/ R etc can be provided on request. Consult factory for price & delivery.				
Bellow				
GU AISI 316L SS (Standard)				XX
Range				
Refer range table				0 / 2 kg/cm ²
Optional Extras				
PS AISI 316 SS case & bezel		TF Conformity as per NACE standard		
PY Dampening liquid glycerin◆		PU Calibration certificate traceable to National / International standards		XX
QA Dampening liquid silicon oil**◆		PW Five point calibration certificate		
RH Custom designed dial		GH Material test certificates#		
SW Dial tag marking		JU 2" pipe/yoke mounting bracket & 'U' clamp (AISI 304 SS)		
SX SS tag plate		FN 2" pipe/yoke mounting bracket & 'U' clamp (AISI 316 SS)		
SJ Maximum reading pointer with plexi glass (for dry version)*		RZ Toughened glass		

* For ranges 2.5 kg/cm² and above. ** BOD Gasket & Plug Viton. ◆ Suitable for ranges 1 bar to 6 bar

Material test certificates will be provided for wetted parts only with chemical composition testing. For others, please consult factory.

Note : For selection of Diaphragm Seals, refer individual data sheets.

(The capillary length shall be maximum up to 3 meters & range shall be above 1 kg/cm².)

Ordering Example: BQ . X . X . XXX . XX . 0/2 kg/cm² . XX

For other optional items, please contact factory for delivery and minimum quantity of order.

Note : Specifications and dimensions given in this product catalogue represents the state of engineering at the time of printing.

Modifications may take place and materials specified may be replaced by others without prior notice.