



GOST

Special Features

- Simple and compact design.
- High operating pressure up to 200 bar.
- Over pressure safe from either side to maximum working pressure.
- Indicating mechanism isolated from pressure chamber.
- Suitable for Air / Gas media.

Application

- Filters
- Hydraulic systems
- Water treatment plants
- Chemical plants
- Natural gas processing
- Heat exchanger
- Gasoline / diesel engine filters
- Pumps
- Valves
- Compressors

Specifications

Standard Version : 63 mm, 100 mm & 150 mm

Accuracy	:	± 2% of F. S. (For ascending order)
Ambient temperature	:	Max. 65°C
Process temperature	:	Max. 80°C
Static pressure (on request)	:	10 kg/cm ² up to ranges 1 bar 16 kg/cm ² for ranges above 1.6 bar
Over pressure range	:	Up to the Full Scale Value
Connection	:	1/4" NPT (F) x 2 Nos.

Case	:	AISI 304 SS
Wetted parts	:	Teflon, Ceramic Magnet & SS Spring
Body	:	AISI 316 SS
Protection	:	IP 65
Dial	:	Aluminum, black Colored, Fixed
Window	:	Plain Glass

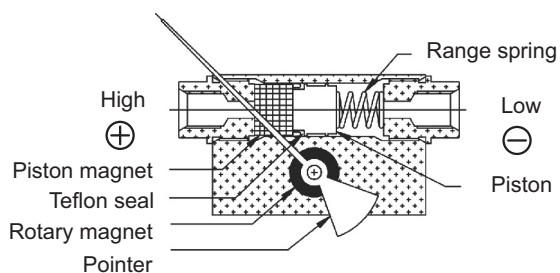
Glycerine filled version (option py)

Accuracy	:	±4.0% of F. S. (For ascending order)
Ambient temperature	:	Maximum 65°C
Process temperature	:	Maximum 65°C
Window	:	Plexi Glass
Dampening liquids	:	Glycerin 99.7% (others available as option)
Other features	:	Refer Specification of Standard Version

Temperature effect :

The variation of indication caused by effects of temperature is to be calculated by below formula; which is to be added in the specified accuracy while measurement :- Formula : $\pm 0.04 \times (t_2 - t_1) \% \text{ of F. S.}$ where t_1 = reference temperature (+20°C) and t_2 = ambient temperature in °C.

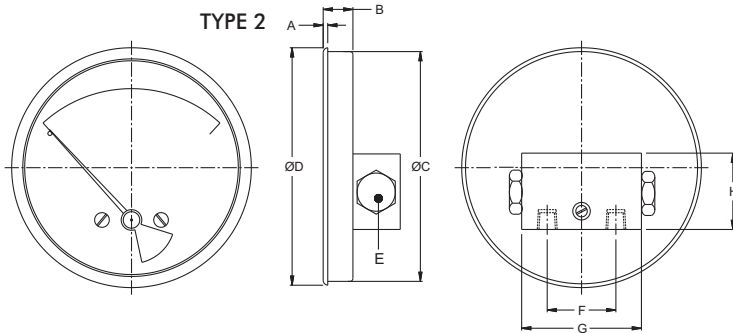
Operating Principle



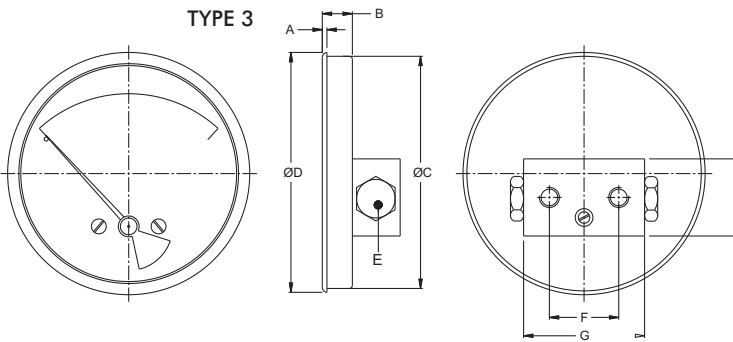
High and Low pressures are separated by a sensor assembly consisting of a magnet, piston, Teflon seal and a range spring. The difference in pressure causes the sensor assembly to move in proportion to the change against a range spring.

A rotary magnet, located in a separate body cavity and isolated from the acting pressures, is rotated by magnetic coupling as per the linear movement of the sensor assembly. A pointer attached to the rotary magnet indicates differential pressure on the dial.

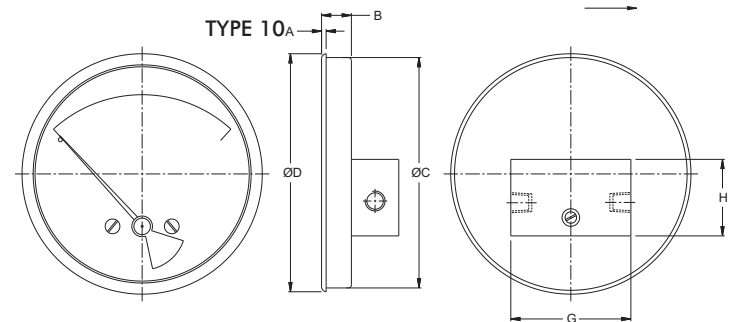
Dimensions - standard version



NS	A	B	ØC	ØD	E	F	G	H	Weight in gram (With Box)
63	3.2	19.5	62.5	66.5	20	46	76	50	430
100	3.2	19.5	101.5	104	20	46	76	50	460
150	3.2	19.5	151.5	155.5	20	46	76	50	560



NS	A	B	ØC	ØD	E	F	G	H	Weight in gram (With Box)
63	3.2	19.5	62.5	66.5	20	46	76	50	400
100	3.2	19.5	101.5	104	20	46	76	50	450
150	3.2	19.5	151.5	155.5	20	46	76	50	540



NS	A	B	ØC	ØD	G	H	Weight in gram (With Box)
63	3.2	19.5	62.5	66.5	76	50	410
100	3.2	19.5	101.5	104	76	50	460
150	3.2	19.5	151.5	155.5	76	50	550

Notes : • Drawings are not to scale. • All Dimensions are in mm. • NS = Nominal Size.

Range Table

Note : We offer National / International Scales like kPa, bar, psi, kg/cm², mbar, mmWC, inWC or Equivalent scales as per the requirement can be provided on request. Following are the example tables for kPa & kg/cm²

Gauge Pressure Range

Single scale					
kPa	kPa	kPa	kg/cm ²	kg/cm ²	kg/cm ²
0 / 25	0 / 200	0 / 500	0 / 0.25	0 / 2.00	0 / 5.00
0 / 50	0 / 250	0 / 600	0 / 0.50	0 / 2.50	0 / 6.00
0 / 75	0 / 300	0 / 700	0 / 0.75	0 / 3.00	0 / 7.00
0 / 100	0 / 350	0 / 900	0 / 1.00	0 / 3.50	0 / 9.00
0 / 160	0 / 400	0 / 1000	0 / 1.60	0 / 4.00	0 / 10.00

Note : Other Scale are available on customer request.

How To Order				Example
Basic Model				BF
Code				
Nominal Size	D	F	H	X
	63 mm	100 mm	150 mm	
Case Type				
HN Case without front flange	HO Case with front flange			XX
Mounting				
2 Direct bottom entry	3 Direct back entry	10 In line entry		X OR XX
Body Material				
HU Aluminium	CL AISI 316 SS	CN Monel		XX
Gauge Connection				
2NF 1/4" NPT (F) X 2 Nos. (Standard)	2BF 1/4" BSP (F) X 2 Nos.			XXX
Mounting				0/2 kg/cm ²
Note : Connections like Metric/ PT/ PF/ Flaired/ UNF/ G/ R etc. can be provided on request.				
Range				
Refer range table				
Options				
RH Custom designed dial				XX
SW Dial tag marking				
SX SS tag plate				
NG Calibration certificate				
PY Dampening liquid glycerine filled				
JU 2" pipe/yoke mounting bracket & 'U' clamp (AISI 304 SS)				

Ordering Example: BF . X . XX . XX . XXX . X OR XX . XX . XX . XX . 0/2 kg/cm² . XX . XX

For other optional items, please contact factory for delivery and minimum quantity of order.

Note : Specifications and dimensions given in this product catalogue represents the state of engineering at the time of printing.
 Modifications may take place and materials specified may be replaced by others without prior notice.