

GOST

Special Features

- Stainless steel case & ring
- Available ranges: 25 mbar to 600 mbar
- Compact design
- Provision for zero adjustment
- Standard followed in general EN 837-3

Application

- Low pressure draft measurement
- Food & beverages,
- Pharmaceutical
- Breweries
- Conventional
- Nuclear power plants
- Clean air
- Gaseous
- Low viscous liquid & non corrosive media that Will not obstruct the pressure system.

Specifications

Standard Version : 63 mm, 100 mm, 125 mm & 150 mm

Accuracy	:	±1.6% of F. S.
Ambient temperature	:	- 25°C to + 65°C
Process temperature	:	Max. 100°C
Operating pressure	:	75 % of Scale Value
Over pressure limit	:	Not Suitable

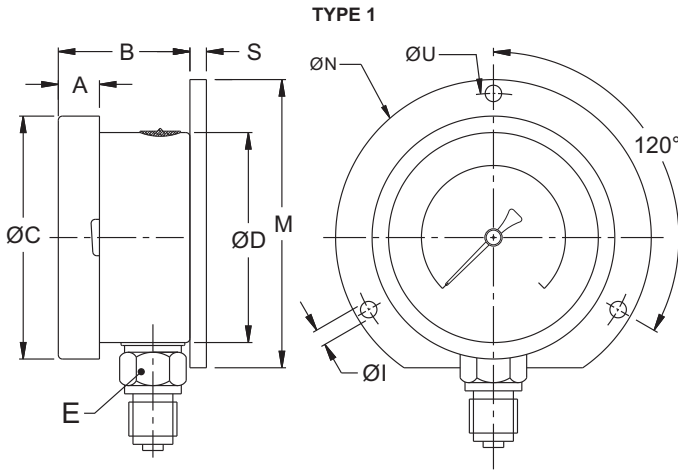
Case & Bezel	:	AISI 304 SS (Bayonet Type)
Capsule	:	Copper Alloy
Socket	:	Copper Alloy
Movement	:	Copper Alloy
Joints	:	Tin Soldering

Protection	:	IP 55
Dial	:	Aluminum, black graduation on white background with zero adjustment provision
Pointer	:	Aluminum, black Coloured, Fixed
Window	:	Sheet Glass
Gasket & Vent Plug	:	Neoprene

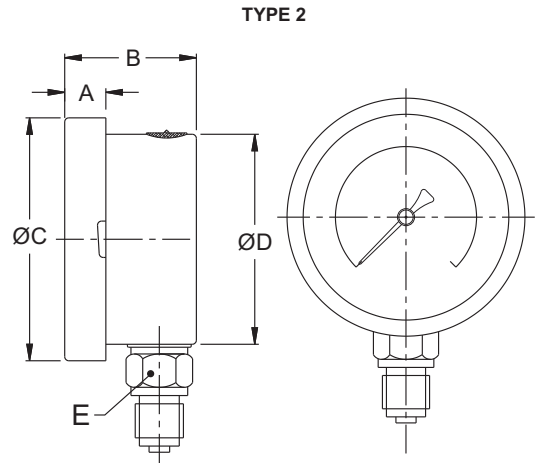
Temperature effect :

The variation of indication caused by effects of temperature is to be calculated by below formula; which is to be added in the specified accuracy while measurement :- Formula : $\pm 0.06 \times (t_2 - t_1) \% \text{ of F. S.}$ where t_1 = reference temperature (+20°C) and t_2 = ambient temperature in °C.

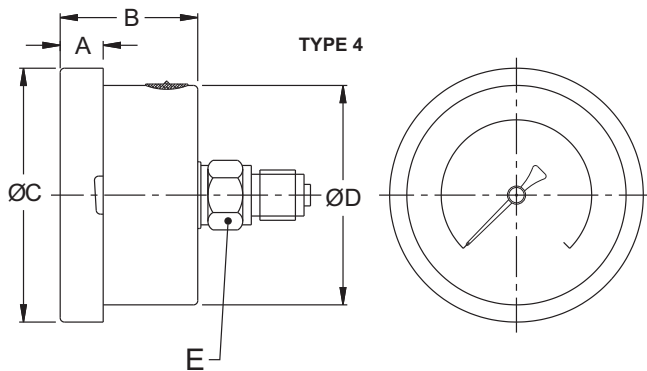
Dimensions - standard version



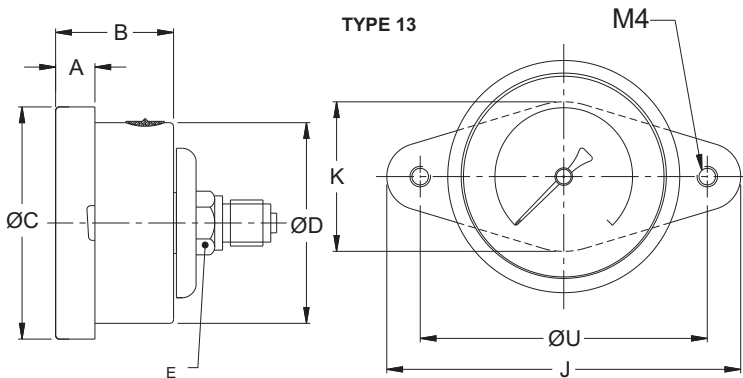
NS	A	B	ØC	ØD	E	S	ØN	ØI	ØU	M	Weight in gram (With Box)
63	12.5	46	77.5	66.5	A/F 14	5	86	5	75	80	305.0



NS	A	B	ØC	ØD	E	Weight in gram (With Box)
63	12.5	46	77.5	66.5	A/F 14	255.0

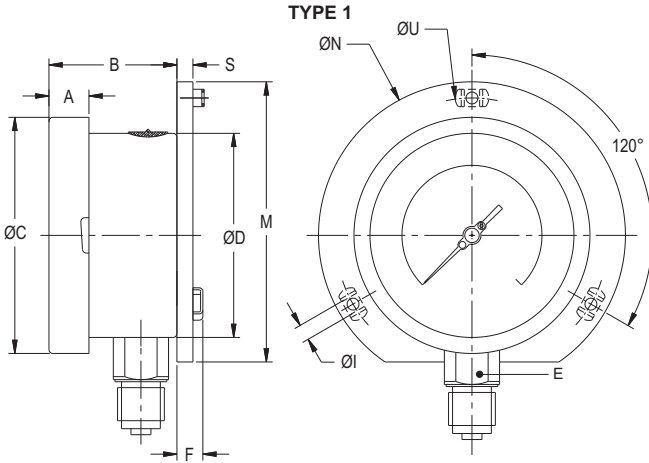


NS	A	B	ØC	ØD	E	Weight in gram (With Box)
63	12.5	46	77.5	66.5	A/F 14	245.0

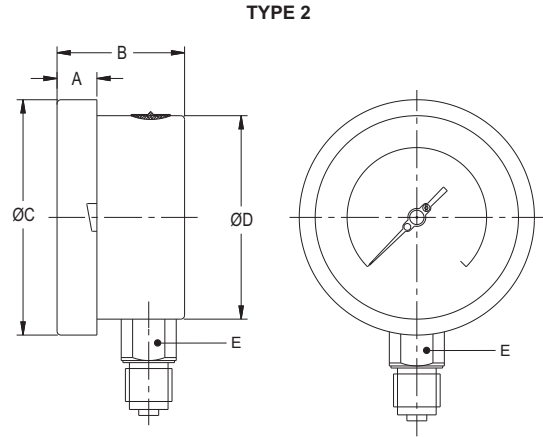


NS	A	B	ØC	ØD	E	J	K	ØU	Weight in gram (With Box)
63	12.5	46	77.5	66.5	A/F 14	91	38	70.5	305.0

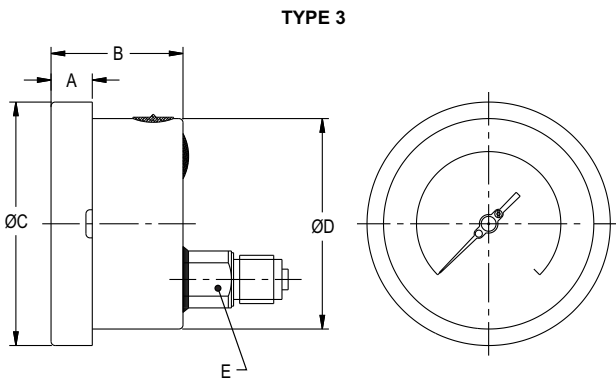
Dimensions - standard version



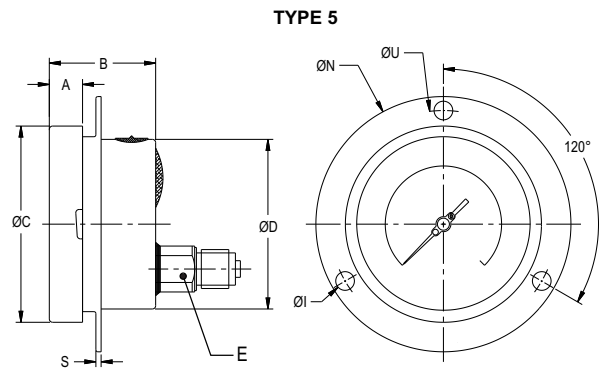
NS	A	B	ØC	ØD	E	M	S	F	ØI	ØN	ØU	Weight in gram (With Box)
100	12.5	45	111	100	22	128	6	14.5	6	134	118	690
125	15	46	129	119	22	-	4	15	6	152	138	760
150	15	46.5	161	149	22	174.5	5.5	15	6	186	168	1110



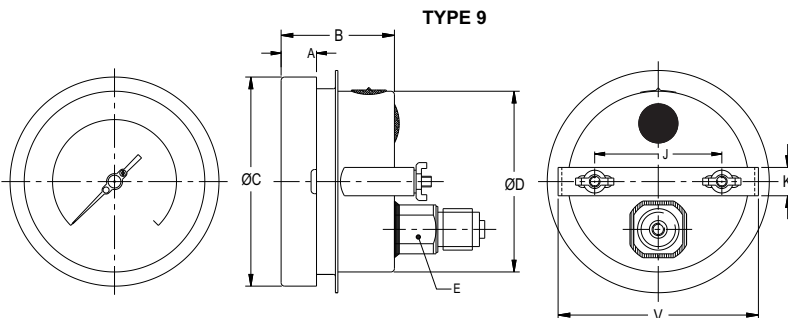
NS	A	B	ØC	ØD	E	Weight in gram (With Box)
100	12.5	47	111	100	22	605
125	15	48	129	119	22	670
150	15	49	161	149	22	1030



NS	A	B	ØC	ØD	E	Weight in gram (With Box)
100	12.5	47	111	100	22	640.0
125	15	48	129	119	22	750.0
150	15	49	161	149	22	1000.0



NS	A	B	ØC	ØD	E	S	ØI	ØN	ØU	Weight in gram (With Box)
100	12.5	47	111	100	22	1	6	134	118	695.0
125	15	48	129	119	22	4	6	150	137	850.0
150	15	49	161	149	22	5	6	186	168	1100.0



NS	A	B	ØC	ØD	E	J	K	V	Weight in gram (With Box)
100	12.5	47	111	100	22	72	16	108	740.0
125	15	48	129	119	22	75	16	125	890.0
150	15	49	161	149	22	106.5	16	166	1100.0

Notes : • Drawings are not to scale. • All Dimensions are in mm. • NS = Nominal Size.

Range Table

Note : We offer National / International Scales like mbar, kPa, inWC, MWC, inHg, mmHg & Dual Scale or Equivalent scales as per the requirement can be provided on request. Following are the example tables for mmWC scales

Pressure range

Single scale - mmWC				
0/250	0/600	0/1600	0/2500	0/6000
0/400	0/1000	0/2000	0/4000	

Vacuum & Compound range

Single scale - mmWC (Vaccum)				
- 250/0	- 600/0	- 1600/0	- 2500/0	- 6000/0
- 400/0	- 1000/0	- 2000/0	- 4000/0	
(Compound)				
- 100/150	- 200/400	- 600/1000	- 1000/1500	- 2000/4000
- 150/250	- 400/600	- 800/1200	- 1500/2500	

Accessories (Refer datasheet for complete specifications)

EC Gauge cock **EG** Snubber **EH** Siphon

How To Order

Example

Basic Model						AX
Code						
Nominal Size						
	D	F	G	H		
	63 mm	100 mm	125 mm	150 mm		X
Type of Mounting						
1	Wall/ surface/ projection mounting With bottom entry	✓	✓	✓	✓	
2	Direct bottom entry	✓	✓	✓	✓	
3	Direct lower back entry	X	✓	✓	✓	X
4	Direct center back entry	✓	X	X	X	OR
5	Lower back entry with front flange	X	✓	✓	✓	XX
9	Lower back entry with mounting bracket	X	✓	✓	✓	
13	Center back entry with mounting bracket	✓	X	X	X	
Gauge Connection (# Applicable for NS 63 mm)						
2BM	1/4" BSP (M)#	3BM	3/8" BSP (M)*	4BM	1/2" BSP (M)*	XXX
2NM	1/4" NPT (M)#	3NM	3/8" NPT (M)*	4NM	1/2" NPT (M)*	
* These connections will be provided through adaptors for NS 63 mm. Consult factory for minimum order quantity, price & delivery. Note : Connections like Metric/ PT/ PF/ Flaired/ UNF/ G/ R etc can be provided on request.						
Range						
Refer range table						0/600 mmWC
Optional extras						
PW	Five point calibration certificate	RW	Plexi glass			XX
PU	Calibration certificate traceable to National/ International standards	RX	Shatterproof / safety glass			
FK	Integral dampening screw (brass)	RZ	Toughened glass			
RH	Custom designed dial	SW	Dial tag marking*			
SX	SS tag plate	KA	ON-OFF type vent plug			
Ordering Example: AX . X . X OR XX . XXX . 0/600 mmWC . XX						

For other optional items, please contact factory for delivery and minimum quantity of order.

Note : Specifications and dimensions given in this product catalogue represents the state of engineering at the time of printing.
Modifications may take place and materials specified may be replaced by others without prior notice.